

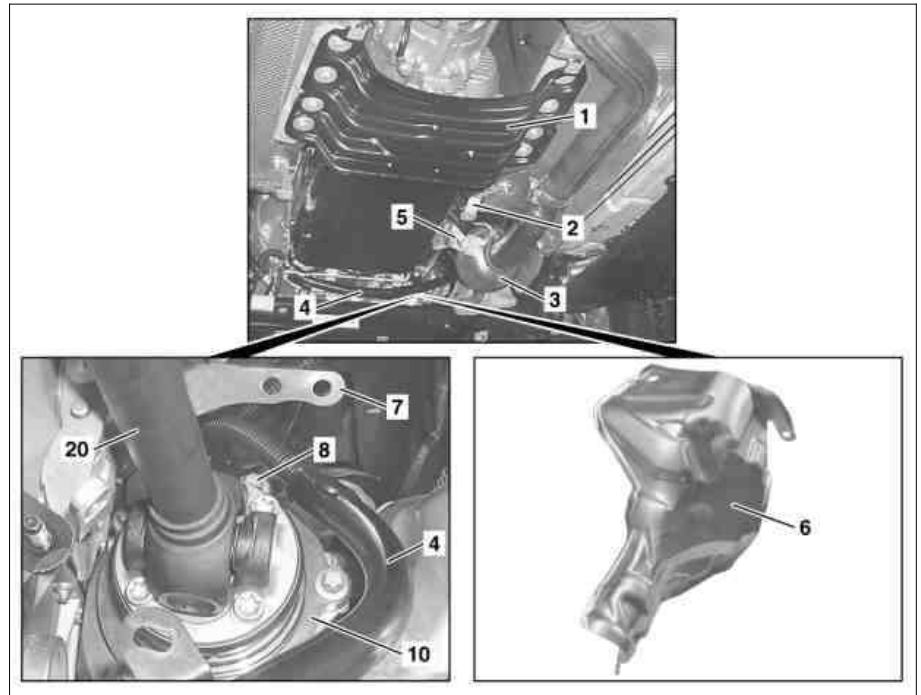
Model 204, 207.3
Vehicles with 4MATIC

Modification notes

02.07.2013	Procedure modified	Operation steps 7, 18 and 24
------------	--------------------	------------------------------

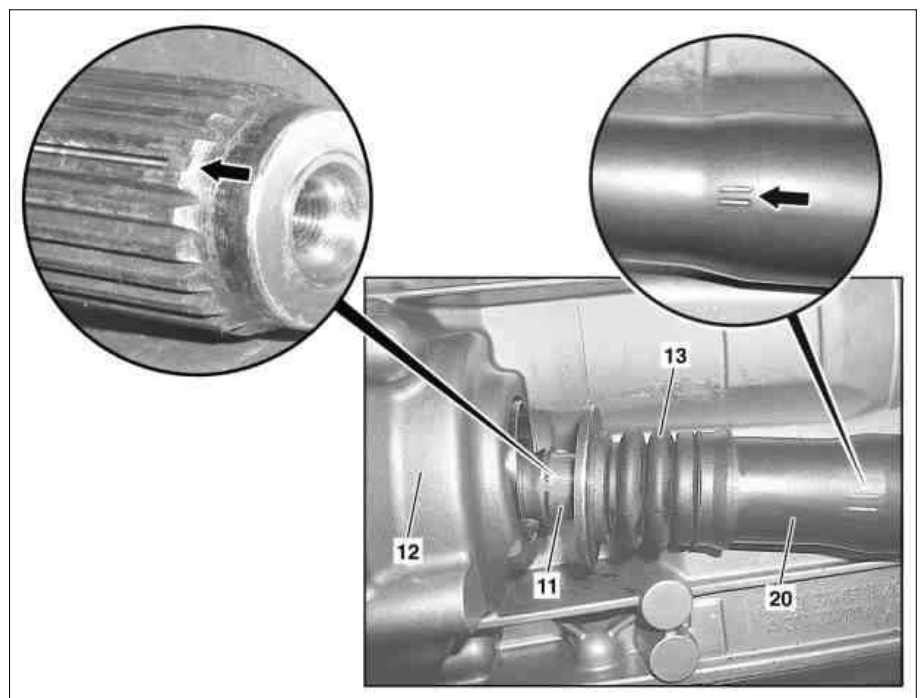
Shown on engine 272

- 1 Rear engine cross member
- 2 Bracket
- 3 Catalytic converter
- 5 Bracket
- 6 Heat shield
- 7 Bracket
- 8 Screw
- 10 Front axle gear
- 20 Front axle transmission propeller shaft



P41.20-2002-06

- 11 Splined profile for transfer case
- 12 Transfer case
- 13 Rubber boot
- 20 Front axle transmission propeller shaft
- Pfeile Marking or closed groove



P41.20-2001-06

4.1	Remove CAT or diesel particulate filter	Vehicles with diesel engine	AR49.10-P-7100CWI
4.2	Remove right catalytic converter (3)	Vehicles with gasoline engine	AR49.10-P-7100CW
5	Release right EGR line and turn to one side	Model 204, 207.3 with engine 276Vehicles with 4MATIC Clamp on EGR line and exhaust gas recirculation valve	*BA14.20-P-1002-01M
6	Remove heat shield (6)	Collar bolt, heat shield to holder of heat shield/ retaining plate Collar bolt, holder for heat shield to transmission/holder for exhaust system	*BA33.30-P-1009-03G *BA33.30-P-1010-03G
7	Remove bracket from heat shield (6)	Model 204.9Vehicles with 4MATIC Bolt, automatic transmission to engine	*BA27.40-P-1008-01A
8.1	Remove bolts (27) and remove bracket (25) from transmission	Vehicles with diesel engine Bolt, automatic transmission to engine	*BA27.40-P-1008-01A
8.2	Detach bracket for electrical line of lambda sensor on transmission	Vehicles with gasoline engine	
9	Remove bracket (2) of lower engine compartment paneling on frame floor assembly	Vehicles without underride guard	
10	Remove shield and disconnect electrical connector on electric controller unit	 Bolt, heat shield to transmission housing	AR27.40-P-0700-01CW *BA27.40-P-1014-01A
11	Remove propeller shaft at transmission		AR41.10-P-0050CW
12	Remove rear engine cross member (1) from frame floor assembly Notes on bolted connections with self tapping screws		AR22.10-P-1180CW AH00.00-P-0007-01SF
13	Lower transmission	i Make sure that, when lowering and raising the transmission, no lines or engine detachable parts are crushed or damaged and that the engine does not rest against the firewall.	
14	Mark position of propeller shaft (20) relative to flange of front axle transmission (10)	i To be able to reproduce the plant installation position.	
15	Detach propeller shaft (20) from front axle transmission (10)	⚠ Do not counterhold the propeller shaft (20) at the universal joint. The needle roller bearings and seals of the propeller shaft (20) will otherwise be damaged. i To undo the bolts of the propeller shaft (20) on the front axle transmission (10) the front wheels have to be blocked. i Installation: Replace screw/bolts. Screw/bolt, propeller shaft to front axle gear	*BA33.30-P-1012-03G
16	Remove bolt (16) to retaining clamp (17) on transmission	Model 204 (except 204.9), 207.3Vehicles with 4MATIC Bolt, oil line to transmission housing	*BA27.55-P-1002-01D
17	Unclip electrical line (15) from transmission to heat shield		
18	Unscrew bolts (28) from front axle transmission and remove retaining ring (29)	Model 204.9Vehicles with 4MATIC i Reattach the retaining ring (29) and bolts (28) so that the pinion housing is secured to prevent it from falling out. Nm Collar bolt, retaining plate to front axle differential	*BA33.30-P-1004-03G
19	Undo bolt (8) on front axle gear (10)	Model 204.0/ 2 with diesel engine i To enable the propeller shaft (20) to be moved over the front axle gear (10) during the removing and installing process. Collar bolt, retaining plate to front axle differential	*BA33.30-P-1004-03G
20	Detach propeller shaft (20) along engine from splined profile (11) on transfer case (12)	i Installation: Align the marking (arrow in right enlarged detail in picture 2) on the propeller shaft (20) and the closed groove (arrow in left enlarged detail in picture 2) on the splined profile (11).	
21	Remove propeller shaft (20) downwards		
⏪	Check		
22	Check rubber boot (13) of propeller shaft (20)	i If necessary, replace rubber boot (13).	

23	Check constant velocity joint and double cardan U-joint of propeller shaft (20) for signs of wear and damage	i If necessary, replace propeller shaft (20).	
24	Check transmission oil level and correct if necessary	Model 204 (except 204.9), 207.3 with transmission 722.96 Vehicles with 4MATIC	AR27.00-P-0270SYZ
25	Install in the reverse order		

Nm Exhaust gas recirculation

Number	Designation		Engine 276.8	Engine 276.9
BA14.20-P-1002-01M	Clamp on EGR line and exhaust gas recirculation valve	Nm	-	9

Nm Housing

Number	Designation			Transmission 722.9
BA27.40-P-1008-01A	Bolt, automatic transmission to engine	M10×40	Nm	38
		M10×45	Nm	38
		M10×90	Nm	38
		M12	Nm	–

Nm Housing

Number	Designation		Transmission 722.9
BA27.40-P-1014-01A	Bolt, heat shield to transmission housing	Nm	9

Nm Oil cooling

Number	Designation			Transmission 722.9	
BA27.55-P-1002-01D	Bolt, oil line to transmission housing	Banjo bolt	Stage 1	Nm	5
			Stage 2	Δ°	90
		Hexalobular bolt		Nm	12

Nm Front axle gear

Number	Designation		Model 204	Model 207
BA33.30-P-1004-03G	Collar bolt, retaining plate to front axle differential	Nm	55	55

Nm Front axle gear

Number	Designation		Model 204	Model 207
BA33.30-P-1009-03G	Collar bolt, heat shield to holder of heat shield/retaining plate	Nm	8	8

Nm Front axle gear

Number	Designation		Model 204	Model 207
BA33.30-P-1010-03G	Collar bolt, holder for heat shield to transmission/holder for exhaust system	Nm	8	8

Nm Front axle gear

Number	Designation		Model 204	Model 207	
BA33.30-P-1012-03G	Screw/bolt, propeller shaft to front axle gear	Stage 1	Nm	45	45
		Stage 2	Δ°	95	95