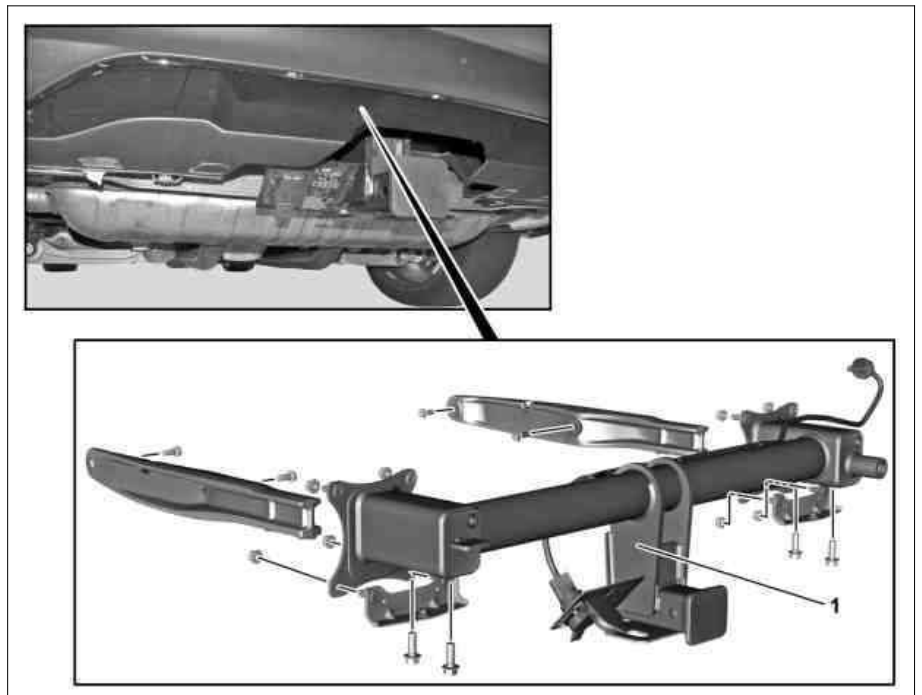


- Model 166.8 (except 166.856/864)**
 as of model year 2016
 with code 460 (Canada version)
 except code Z04 (Light armoring)
 except code Z05 (B5 armoring on special protection version)
- Model 166.8 (except 166.856/864)**
 as of model year 2016
 with code 494 (US version)
 except code Z04 (Light armoring)
 except code Z05 (B5 armoring on special protection version)
- Model 166.8 (except 166.856/864)**
 as of model year 2016
 with code 496 (Mexico version)
 except code Z04 (Light armoring)
 except code Z05 (B5 armoring on special protection version)

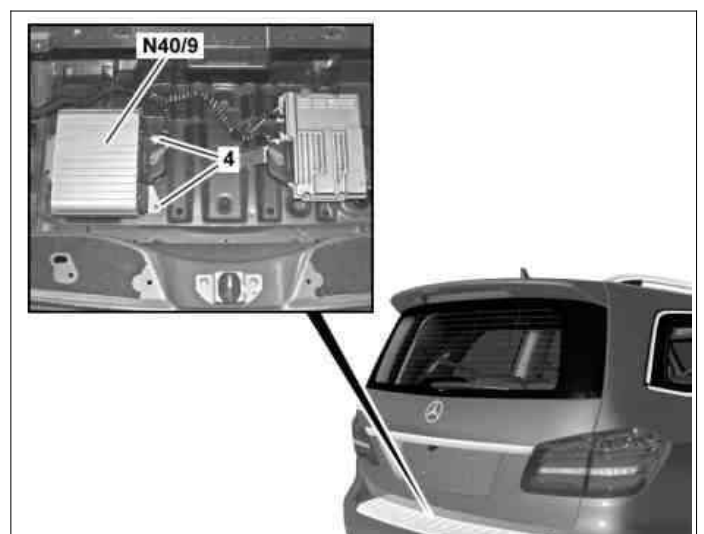
1 Trailer hitch



P31.10-3778-06

Shown on model 166.8 with code 811 (Advanced sound system)

- 4 Nuts (with code 811 (Advanced sound system))
 N40/9 Bass speaker amplifier (with code 811 (Advanced sound system))



P31.10-3780-11



P31.10-3519-11

	Risk of injury caused by scraping or cutting body parts on sharp vehicle parts	Always wear protective gloves when working on or near sharp and non-deburred vehicle parts. Deburr repair panels.	AS00.00-Z-0017-01A
	Risk of injury. Skin or eye injuries may result when handling hot or glowing objects.	Wear protective gloves, protective clothing and safety glasses, if necessary.	AS00.00-Z-0002-01A
	Risk of death caused by vehicle slipping or toppling off of the lifting platform.	Align vehicle between vehicle lift columns and position the four support plates at the vehicle lift support points specified by the vehicle manufacturer.	AS00.00-Z-0010-01A
ⓘ	Information on preventing damage to electronic components due to electrostatic discharge		AH54.00-P-0001-01A
ⓘ	Notes on installing a trailer hitch		AH31.10-P-1000-02CW
ⓘ	Notes on self-locking nuts and bolts		AH00.00-N-0001-01A
✘	Remove		
1	Print out the detailed installation instructions and give them to the customer	For do-it-yourself installation of trailer hitch by the customer.	
2 ✘ AR	Remove subwoofer	Model 166.8 (except 166.856/864) as of model year 2016 with code 810 (Sound system) or code 811 (Advanced sound system)	AR82.62-P-7839GQ
3 ✘ AR	Remove trim from spare tire well		AR68.30-P-4620GQ
4	Unscrew nuts (4) and place bass speaker amplifier (N40/9) to one side with electrical lines connected	Model 166.8 (except 166.856/864) as of model year 2016 with code 811 (Advanced sound system)	
5 ✘ AR	Remove rear bumper		AR88.20-P-2200GQA
6	Remove detachable parts of rear bumper	If these are located in the area of the cutout for the trailer hitch.	
7 ✘ AR	In the EPC in DG 99, check whether the electric fan fitted in accordance with the vehicle equipment can be used for retrofitting the trailer hitch (1)	If incompatible ↓ Remove electric fan Model 166.8 (except 166.856/864) with engine 642 as of model year 2016 ⓘ The electric fan is no longer required.	AR20.40-P-5050GQ
8 ✘ AR	In the EPC in DG 99, check whether the center underfloor paneling fitted in accordance with the vehicle equipment can be used for retrofitting the trailer hitch (1)	If incompatible ↓ Remove center underfloor paneling ⓘ The center underfloor paneling is no longer required.	AR61.30-P-1001GQ

9	In the EPC in DG 99, check whether the rear underfloor paneling fitted in accordance with the vehicle equipment can be used for retrofitting the trailer hitch (1)	If incompatible ↓ Remove rear underfloor paneling The rear underfloor paneling is no longer required.	AR61.30-P-1001GQ
10	Remove AdBlue® tank	Model 166.8 (except 166.856/864) as of model year 2016 with code U42 (BlueTEC (SCR) diesel exhaust treatment) or code U77 (BlueTEC (SCR) diesel exhaust treatment)	AR14.40-P-2014GQ
11	Unhook rear muffler from spacer		
12	Release heat shield from rear muffler	The heat shield remains on the vehicle and is placed on the rear muffler.	
13	Remove carrier for rear bumper	The carrier for the rear bumper is no longer required.	
	Install		
14	Retrofit mechanical detachable parts	Screw/bolt, trailer hitch to reinforcement arm Bolt/nut, trailer hitch/reinforcement plate to rear center section Screw/bolt, reinforcement arm to vehicle floor	AN31.11-P-8080-05GQX *BA31.11-P-1004-01G *BA31.11-P-1002-01G *BA31.11-P-1001-01G
15	Fasten heat shield of rear muffler		
16	Fasten rear muffler onto spacer		
17	Install AdBlue® tank	Model 166.8 (except 166.856/864) as of model year 2016 with code U42 (BlueTEC (SCR) diesel exhaust treatment) or code U77 (BlueTEC (SCR) diesel exhaust treatment)	AR14.40-P-2014GQ
18	Install center underfloor paneling	If center underfloor paneling was removed.	AR61.30-P-1001GQ
19	Install rear underfloor paneling	If rear underfloor paneling was removed.	AR61.30-P-1001GQ
20	Add bumper cutout		AN31.11-P-8080-02GQA
21	Install rear bumper		AR88.20-P-2200GQA
22	Install electric fan	If electric fan removed beforehand. Model 166.8 (except 166.856/864) with engine 642 as of model year 2016	AR20.40-P-5050GQ
	Remove		
23	Remove plastic shells on floor covering in rear compartment		AR68.20-P-4800GQX
24	Detach rear fuse and relay box	Do not disconnect electrical lines.	AR54.15-P-1261GQ
25	Remove lower right B-pillar paneling	Only loosen the upper B-pillar paneling.	AR68.30-P-4700GQ
26	Remove right front floor covering		AR68.20-P-2070GQ
27	Remove ventilation duct from vehicle floor to right B-pillar	Model 166.8 (except 166.856/864) as of model year 2016 with code 581 (Automatic air conditioning)	
28	Detach front SAM control unit and place to one side with electrical connectors still connected		AR54.21-P-1254GQ
29	Remove cover below left of instrument panel		AR68.10-P-1500GQ
30	Remove left front floor covering		AR68.20-P-2050GQ
	Install		
31	Retrofit trailer hitch control unit		AN31.19-P-8080-05GQY
32	Retrofit trailer hitch wiring harness Notes on the use of paint scraping nuts on ground connections	Left footwell ground point	AN31.19-P-8100-05GQZ AH00.19-P-1000-20A *BA00.19-P-1016-01G

		Trailer hitch ground point	*BA00.19-P-1007-01G
		Right rear center section ground point	*BA00.19-P-1006-01G
		New passenger car wiring harness repair kit	*220589049900
		Wiring harness repair kit, basic	*000589139900
33	Install remaining parts		
	Update Vehicle Documentation (VeDoc)		
34	Enter special equipment into the on-line vehicle data card	Code 550 (Trailer hitch)	
35	Attach "Trailer hitch retrofitted as per AN31.10-P-8080GQY" under field organization text for design group 31 and design group 54.		
36	Attach "Trailer hitch retrofitted as per AN31.10-P-8080GQY" note under field organization texts for design group 50.	Insofar as the electric fan was replaced.	
37	Attach "Trailer hitch retrofitted as per AN31.10-P-8080GQY" note under field organization texts for design group 52.	If center and/or rear underfloor paneling has been replaced.	
38	Connect diagnostic system and select vehicle using vehicle identification number (VIN)		AD00.00-P-2000-04A
39	Carry out variant coding using software calibration number (SCN)	SAM control unit Instrument cluster Head unit Electronic ignition switch control unit ESP® control unit	
40	Carry out variant coding using software calibration number (SCN)	Model 166.8 (except 166.856/864) as of model year 2016 with code 218 (Reversing camera) Reversing camera	
41	Carry out variant coding using software calibration number (SCN)	Model 166.8 (except 166.856/864) as of model year 2016 with code 22P (Lane package) Multifunction camera	
42	Carry out variant coding using software calibration number (SCN)	Model 166.8 (except 166.856/864) as of model year 2016 with code 23P (Driving Assistance package Plus) Stereo multifunction camera Chassis gateway control unit	
43	Carry out variant coding using software calibration number (SCN)	Model 166.8 (except 166.856/864) as of model year 2016 with code 235 (Active Parking Assist with PARKTRONIC) Parking system control unit	
44	Carry out variant coding using software calibration number (SCN)	Model 166.8 (except 166.856/864) with code 501 (360° camera) 360° camera control unit	
45	Carry out variant coding using software calibration number (SCN)	Model 166.8 (except 166.856/864) as of model year 2016 with code 489 (AIRMATIC) AIRMATIC control unit	
46	Disconnect diagnostic system		AD00.00-P-2000-04A
	Check		
47	Perform function check of trailer hitch socket		AN31.19-P-8100-06GQX
48	Check ball neck for proper operation	See operator's manual.	

Ground points

Number	Designation			Model 166
BA00.19-P-1006-01G	Right rear center section ground point	W7	Nm	10

Ground points

Number	Designation			Model 166
BA00.19-P-1007-01G	Trailer hitch ground point	W7/9	Nm	10

Ground points

Number	Designation			Model 166
BA00.19-P-1016-01G	Left footwell ground point	W15/2	Nm	10

Nm Trailer coupling mechanism

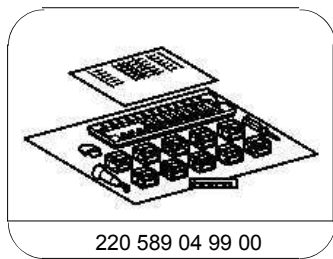
Number	Designation	Model 166
BA31.11-P-1001-01G	Screw/bolt, reinforcement arm to vehicle floor	Nm 66

Nm Trailer coupling mechanism

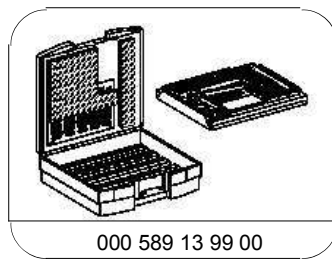
Number	Designation	Model 166
BA31.11-P-1002-01G	Bolt/nut, trailer hitch/reinforcement plate to rear center section	Nm 66

Nm Trailer coupling mechanism

Number	Designation	Model 166
BA31.11-P-1004-01G	Screw/bolt, trailer hitch to reinforcement arm	Nm 140



New passenger car wiring harness repair kit



Wiring harness repair kit, basic

Parts ordering note

Part no.	Designation	Quantity
KG 99 (siehe EPC)	Trailer hitch parts kit	1
Handelsüblich	Round cable lug Ø 6 mm	3