

- Model 164 (except 164.177), 166**
- Model 168, 169, 245**
- Model 171 (except 171.473)**
- Model 197**
- Model 203 (except 203.018/076/218/265/276/718)**
- Model 209 (except 209.376/377/476/477)**
- Model 211 (except 211.076/077/276)**
- Model 212 (except 212.077/277)**
- Model 216 (except 216.377/379)**
- Model 218 (except 218.374)**
- Model 219 (except 219.376/377)**
- Model 221 (except 221.077/177/179)**
- Model 230 (except 230.470/472/474/479)**
- Model 251 (except 251.077/177)**
- Model 463**
up to model year 2019

i The contact surfaces must **not** be greased.

- 1 **4, 6 or 8-piston fixed caliper "Brembo"**
- 2 Lightly grease only the contact surfaces marked with arrows! **Only model 197, 212, 218 without code (B07) Ceramic brake system and only on the rear axle:** Lightly grease brakepad backplates in contact area of brake pistons.

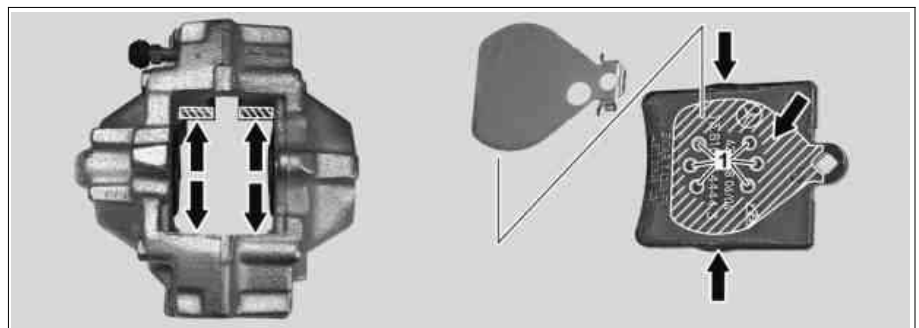


P42.10-2742-01

i Only use MB Molycote brake paste (copper colored).

- 3 **"ATE" in model 463 on front axle or 2-piston fixed caliper "ATE" in model 171, 203, 209 on rear axle**

- 4 Lightly grease only the contact surfaces marked with arrows!
i For brakepads with damper plates: Fill grease pockets completely (1) with MB brake paste.



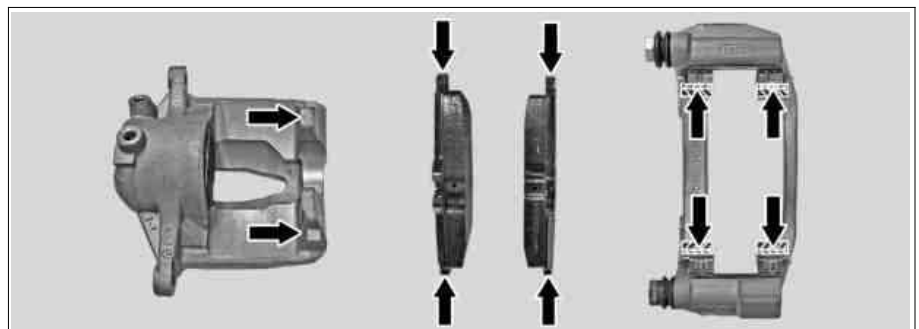
P42.10-2734-04

i Only use MB Never Seeze brake paste (gray).

- 5 **"Bosch" in model 211 on front axle or in model 463 on rear axle**

- 6 Lightly grease only the contact surfaces marked with arrows!

⊗ Do not grease the damper plates of the inner brakepads. Otherwise swelling of the rubber boots will occur.



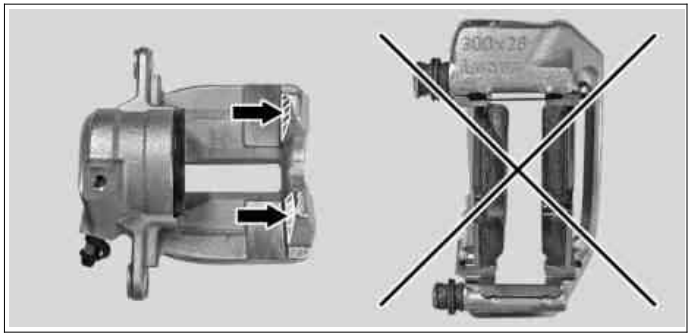
P42.10-2735-04

i Only use MB Never Seeze brake paste (gray).

- 7 **"TRW" or "Lucas" in model 171, 203, 209 on front axle**
 1 Lightly grease only the contact surfaces marked with arrows!

⚠ **Do not** grease the guide surfaces on the brakepad carriers and brake caliper supports. Otherwise noises will occur.

i Only use MB Never Seeze brake paste (gray).



P42.10-2736-10

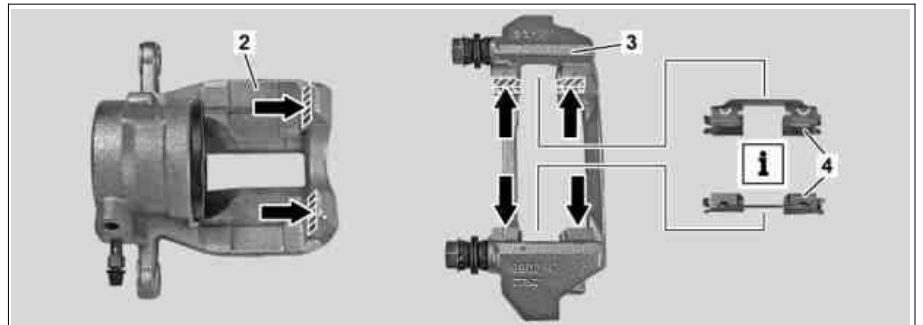
- 8 **"TRW" or "Lucas" in model 168, 169, 245 on front or rear axle**

- 9 Lightly grease only the contact surfaces marked with arrows!

⚠ With brakepads with self-adhesive brakepad carriers, **do not** grease the contact surfaces in the floating brake caliper (2). Otherwise there will be no adhesion.

i Grease the contact surfaces on the brake caliper support (3) **before** installing the anti-rattle springs (4)! **Do not** grease the anti-rattle springs (4)!

i Only use MB Never Seeze brake paste (gray).

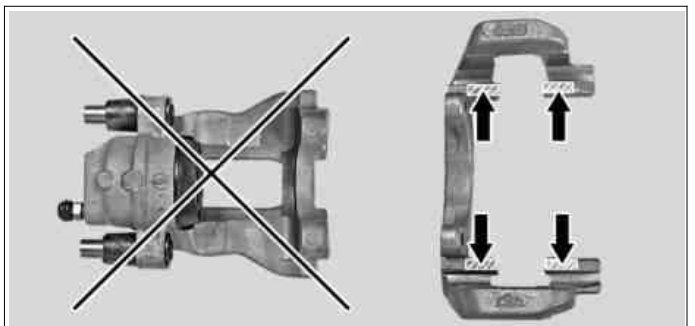


P42.10-2737-04

- 10 **or 2-piston floating brake caliper "ATE" on front or rear axle**

- 11 Lightly grease only the contact surfaces marked with arrows!

i Only use MB Plastilube brake paste (brownish).



P42.10-2812-10