



# Table of Contents

1	<a href="#">General Information</a>
2	<a href="#">What's New</a>
3	<a href="#">Models</a>
4	<a href="#">Equipment</a>
4.1	<a href="#">Standard Equipment</a>
4.2	<a href="#">Exterior Paint Colors</a>
4.3	<a href="#">Wheels</a>
4.4	<a href="#">Interior Upholstery</a>
4.6	<a href="#">Interior Trims</a>
4.7	<a href="#">Packages</a>
4.8	<a href="#">Options</a>
4.9	<a href="#">Specifications</a>
5	<a href="#">Options In Detail</a>
6	<a href="#">Gallery</a>



# General Information

## Important Note

The information presented in this guide is based on the most current information available and is intended for internal use only. Mercedes-Benz reserves the right to make changes at any time, without notice, to colors, materials, equipment, special specifications and models.

Pricing may not yet be finalized for some models or options.

Due to variances among monitors and printers the colors that appear on your screen and printouts may not be exact.

For illustrative purposes, some images may show vehicles with European Specification.

## Revision History

<b>Date</b>	<b>Description</b>
04/20/2023	MY23 GLS450W4 DOG published.



# What's New

## *Standard Equipment*

- **New Front Bumper and Grille Design**
- **Front Air Vents now in chrome finish**
- **Latest Generation Steering Wheel with capacitive controls**
- **Two 100W USB-C ports in the rear (U82)**
- **MBUX Augmented Video for Navigation (U19) is now standard**
- **Latest generation Mercedes-Benz User Experience (MBUX) - NTG7**
- **New Taillight design**
- **Surround View System (P47) with Transparent Hood feature (04U)**
- **Driver Assistance Package (P20) is now standard**
- **21" Wheels (95R) now standard**

## *Optional Equipment*

- **New offering structure with Premium Trim (Standard), Exclusive Trim, and Pinnacle Trim**
- **Updated Burmester Surround Sound System w/ Dolby Atmos, Sound Personalization, and Online Music Streaming (810+22U+32U)**
- **115V AC Power Outlet (U80) is no longer available**

## *Paints*

- **Twilight Blue Metallic (842)**
- **MANUFAKTUR Alpine Grey (956)**

## *Upholstery*

- **Bahia Brown replaces Espresso Brown**
- **All new Catalana Beige Leather (225)**

## *Trim*

- **MANUFAKTUR Brown Linden Wood Flowing Lines (H34) & MANUFAKTUR Natural Grain Black Wood (H35) trims are no longer available**
- **MANUFAKTUR Piano Lacquer Flowing Lines (H11) is now available**
- **Brown Linden Wood (04H) replaces Grey Linden Wood (H18)**



# Models



## ***GLS450W4 (167.959)***

- MSRP: TBD
- Transmission: 9G-TRONIC 9-Speed Automatic Transmission
- Transmission Speeds: 9
- Acceleration : 0-60mph 5.8 sec
- Engine Configuration: 3.0L Inline-6 Turbo Engine with 48V Mild-Hybrid System
- Power (hp): 375 hp
- Torque (lb-ft): 369 lb-ft
- Electric Motor (lb-ft), System Torque (lb-ft): 148
- Launch Date: Q3 2023



# Standard Equipment

**GLS450W4**



## *Performance & Handling*

- 9G-TRONIC 9-Speed Automatic Transmission
- 20" MB wheels
- New 3.0L inline-6 turbo engine with EQ-Boost
- AIRMATIC Suspension w/ Adaptive Damping System ADS
- All Season Tires

## *Comfort & Convenience*

- KEYLESS-GO
- Power Liftgate
- LED Intelligent Light System
- Power Tilt/Sliding Sunroof
- Touchpad in Center Console
- 12.3" Digital Instrument Cluster
- Apple CarPlay and Android Auto
- HERMES Communications Module LTE
- Ambient Lighting with 64 Colors and Illuminated Door Sills
- Power Front Seats with 4-Way Lumbar Support and Memory Function
- Concierge Service
- Load Compartment Cover
- Double Sun Visors
- Mirror Package (power folding mirrors, auto-dimming driver and rearview mirrors, mirror logo projector)
- 115V Household Type Power Outlet
- Burmester® Surround Sound System
- Automatic Car Wash Mode
- Wireless Charging (Delayed Availability )
- HANDS-FREE ACCESS
- Remote Start
- Adaptive Highbeam Assist
- Multifunctional Steering Wheel with Touch Control Buttons
- MBUX User Interface incl. Voice Control with Natural Language Understanding
- 12.3" Media Display with Touchscreen
- 9 USBs (3 in front, 2 in 2nd row, 4 in 3rd row)
- MB Navigation with Live Traffic and Map Updates
- Heated Front Seats
- 4-Zone Climate control
- Garage Door Opener
- Spare Tire
- Privacy Glass
- Roof Rails
- Active Parking Assist with Surround View System
- SiriusXM® Radio
- Ventilated Front Seats
- Panorama Roof

## *Safety & Security*

- ATTENTION ASSIST®
- Rear View Camera
- Active Brake Assist
- Vehicle Exit Warning
- Blind Spot Assist
- PRE-SAFE®
- eCall-Emergency System
- Enhanced Alarm System with Parking Damage Detection



# Paint

## Non-Metallic Paints



040U - Black



149U - Polar White

## Metallic Paints



197U - Obsidian Black



922U - Cirrus Silver



989U - Emerald Green

NEW



842U - Twilight Blue



992U - Selenite Grey

## MANUFAKTUR Paints



799U - MANUFAKTUR Diamond White Metallic



996U - MANUFAKTUR Cardinal Red Metallic



956U - MANUFAKTUR Alpine Grey

NEW

Code	Description	Availability	Price
040U	Black	All Models	\$0
149U	Polar White	All Models	\$0
197U	Obsidian Black	All Models	\$0
922U	Cirrus Silver	All Models	\$0
989U	Emerald Green	All Models	\$0
842U (New)	Twilight Blue	All Models	\$0
992U	Selenite Grey	All Models	\$0
799U	MANUFAKTUR Diamond White Metallic	All Models	\$1,750
996U	MANUFAKTUR Cardinal Red Metallic	All Models	\$1,750
956U (New)	MANUFAKTUR Alpine Grey	All Models	\$1,750



# Wheels



### 95R - 21" Triple 5-Spoke Wheels

21"  
R02, 690  
21" Triple 5-Spoke Wheels  
275/45 R 21 on 10 J x 21 ET 62.5 (Front)  
315/40 R 21 on 11 J x 21 ET 55 (Rear)

### RWF - 21" AMG Twin 5-Spoke Wheels

Requires AMG Line (DG1)  
21"  
R02, 690  
21" AMG Twin 5-Spoke Wheels  
275/45 R 21 on 10 J x 21 ET 44 (Front)  
315/40 R 21 on 11 J x 21 ET 42 (Rear)

### RWH - 21" AMG Twin 5-Spoke Wheels w/ Black Accents

Requires Night Package (DC1PKG)  
21"  
R02, 690  
21" AMG Twin 5-Spoke Wheels  
275/45 R 21 on 10 J x 21 ET 44 (Front)  
315/40 R 21 on 11 J x 21 ET 42 (Rear)

### RPA - 22" AMG Multi-Spoke Wheels

Requires AMG Line (DG1)  
22"  
R01, 690  
22" AMG Multi-Spoke Wheels  
285/45 R 22 on 9.5 J x 22 ET 45 (Front)  
325/40 R 22 on 11.5 J x 22 ET 47 (Rear)



NEW



### RPB - 22" AMG Multi-Spoke Wheels w/ Black Accents

Requires Night Package (DC1PKG)  
22"  
R01, 690  
22" AMG Multi-Spoke Wheels  
285/45 R 22 on 9.5 J x 22 ET 45 (Front)  
325/40 R 22 on 11.5 J x 22 ET 47 (Rear)

### RPK - 23" AMG Twin 5-Spoke Wheels - Black

Requires AMG Line (DG1) & Night Package (DC1)  
23"  
R01, 690  
23" AMG Twin 5-Spoke Wheels - Black  
285/40 R 23 on 9.5 J x 23 ET 45 (Front)  
325/35 R 23 on 11.5 J x 23 ET 47 (Rear)

Code	Wheel Size	Description	Wheel Dimensions	Mobility	Availability	MSRP
95R	21"	21" Triple 5-Spoke Wheels	275/45 R 21 on 10 J x 21 ET 62.5 (Front) 315/40 R 21 on 11 J x 21 ET 55 (Rear)	R02, 690	All Models	\$0
RWF	21"	21" AMG Twin 5-Spoke Wheels Requires AMG Line (DG1)	275/45 R 21 on 10 J x 21 ET 44 (Front) 315/40 R 21 on 11 J x 21 ET 42 (Rear)	R02, 690	All Models	\$0
RWH	21"	21" AMG Twin 5-Spoke Wheels Requires Night Package (DC1PKG)	275/45 R 21 on 10 J x 21 ET 44 (Front) 315/40 R 21 on 11 J x 21 ET 42 (Rear)	R02, 690	All Models	\$0
RPA	22"	22" AMG Multi-Spoke Wheels Requires AMG Line (DG1)	285/45 R 22 on 9.5 J x 22 ET 45 (Front) 325/40 R 22 on 11.5 J x 22 ET 47 (Rear)	R01, 690	All Models	\$1,350
RPB	22"	22" AMG Multi-Spoke Wheels Requires Night Package (DC1PKG)	285/45 R 22 on 9.5 J x 22 ET 45 (Front) 325/40 R 22 on 11.5 J x 22 ET 47 (Rear)	R01, 690	All Models	\$1,350
RPK (New)	23"	23" AMG Twin 5-Spoke Wheels - Black Requires AMG Line (DG1) & Night Package (DC1)	285/40 R 23 on 9.5 J x 23 ET 45 (Front) 325/35 R 23 on 11.5 J x 23 ET 47 (Rear)	R01, 690	All Models	\$3,150





# Upholstery

## MB Tex



**NEW**



**111A - Black MB-Tex**

MB-Tex not available with Exclusive Trim (DX1) & Pinnacle Trim (DX2)

**124A - Bahia Brown / Black MB-Tex**

MB-Tex not available with Exclusive Trim (DX1) & Pinnacle Trim (DX2)

**135A - Macchiato Beige/Black MB-Tex**

MB-Tex not available with Exclusive Trim (DX1) & Pinnacle Trim (DX2)

## Leather



**NEW**



**NEW**



**201A - Black Leather**

Textured Leather

**224A - Bahia Brown/Black Leather**

Textured Leather

**215A - Macchiato Beige /Black Leather**

**225A - Catalana Beige/Black Leather**

## Exclusive Nappa Leather



**951A - Black Exclusive Nappa Leather**



<i>Code</i>	<i>Description</i>	<i>Availability</i>	<i>Price</i>
111A	Black MB-TeX MB-TeX not available with Exclusive Trim (DX1) & Pinnacle Trim (DX2)	All Models	\$0
124A (New)	Bahia Brown / Black MB-TeX MB-TeX not available with Exclusive Trim (DX1) & Pinnacle Trim (DX2)	All Models	\$0
135A	Macchiato Beige/Black MB-TeX MB-TeX not available with Exclusive Trim (DX1) & Pinnacle Trim (DX2)	All Models	\$0
201A	Black Leather Textured Leather	All Models	\$1,620
224A (New)	Bahia Brown/Black Leather Textured Leather	All Models	\$1,620
215A	Macchiato Beige /Black Leather	All Models	\$1,620
225A (New)	Catalana Beige/Black Leather	All Models	\$1,620
951A	Black Exclusive Nappa Leather	All Models	\$2,990

<i>Code</i>	<i>Upholstery</i>	<i>Seats</i>	<i>Floor Mats</i>	<i>Upper Dash/Lower Dash</i>	<i>Seat Belts</i>	<i>Steering Wheel</i>	<i>Headliner</i>
111A	Black MB-TeX MB-TeX not available with Exclusive Trim (DX1) & Pinnacle Trim (DX2)	Black	Black	Black/Black	Black	Black	Crystal Grey or Black
124A (New)	Bahia Brown / Black MB-TeX MB-TeX not available with Exclusive Trim (DX1) & Pinnacle Trim (DX2)	Bahia Brown	Black	Black /Bahia Brown	Black	Black	Crystal Grey or Black
135A	Macchiato Beige/Black MB-TeX MB-TeX not available with Exclusive Trim (DX1) & Pinnacle Trim (DX2)	Macchiato Beige	Black	Black /Macchiato Beige	Macchiato Beige	Black	Macchiato Beige
201A	Black Leather Textured Leather	Black	Black	Black/Black	Black	Black	Crystal Grey or Black
224A (New)	Bahia Brown/Black Leather Textured Leather	Bahia Brown	Black	Black /Bahia Brown	Black	Black	Crystal Grey or Black
215A	Macchiato Beige /Black Leather	Macchiato Beige	Black	Black /Macchiato Beige	Macchiato Beige	Black	Macchiato Beige
225A (New)	Catalana Beige/Black Leather	Catalana Beige	Black	Black /Catalana Beige	Black	Black	Crystal Grey or Black
951A	Black Exclusive Nappa Leather	Black	Black	Black/Black	Black	Black	Crystal Grey or Black



# Trims

NEW



## 04H - Brown Linden Wood

Brown Linden Center Console



## H22 - Natural Grain Brown Walnut Wood

Natural Grain Brown Walnut Center Console



## H31 - Natural Grain Grey Oak Wood

Natural Grain Grey Oak Center Console



## H46 - Brushed Aluminum with Longitudinal Grain

Piano Black Lacquer Center Console

NEW



## H11 - MANUFAKTUR Piano Lacquer Flowing Lines

Piano Black Lacquer Center Console

<i>Code</i>	<i>Description</i>	<i>Availability</i>	<i>Price</i>
04H (New)	Brown Linden Wood Brown Linden Center Console	All Models	\$160
H22	Natural Grain Brown Walnut Wood Natural Grain Brown Walnut Center Console	All Models	\$160
H31	Natural Grain Grey Oak Wood Natural Grain Grey Oak Center Console	All Models	\$160
H46	Brushed Aluminum with Longitudinal Grain Piano Black Lacquer Center Console	All Models	\$0
H11 (New)	MANUFAKTUR Piano Lacquer Flowing Lines Piano Black Lacquer Center Console	All Models	\$850



# Packages

<i>Code</i>	<i>Packages</i>	<i>Availability</i>	<i>MSRP</i>
DX1 (New)	<p>Exclusive Trim</p> <p>Not Available with MB-TeX (111A,124A,135A)</p> <ul style="list-style-type: none"> <li>▪ 902 - Rapid Heating for Front Seats</li> <li>▪ 872 - Heated Rear Seats</li> <li>▪ 399 - Multicontour Front Seats w/ Massage Function</li> </ul>	All Models	TBD
DX2 (New)	<p>Pinnacle Trim</p> <p>Not Available with MB-TeX (111A,124A,135A)</p> <ul style="list-style-type: none"> <li>▪ 77B - MBUX Interior Assistant</li> <li>▪ 463 - Head-up Display</li> <li>▪ 399 - Multicontour Front Seats w/ Massage Function</li> <li>▪ 902 - Rapid Heating for Front Seats</li> <li>▪ 872 - Heated Rear Seats</li> <li>▪ 311 - Temperature Controlled Cupholders</li> <li>▪ P21 - AIR BALANCE</li> <li>▪ C53 - Mercedes Star Pattern Logo Projectors</li> </ul>	All Models	TBD
DB0	<p>Warmth and Comfort Package</p> <ul style="list-style-type: none"> <li>▪ 902 - Rapid Heating for Front Seats</li> <li>▪ 906 - Front Heated Armrest</li> <li>▪ P69 - Warmth Comfort Package</li> <li>▪ 907 - Rear Heated Armrest</li> </ul>	All Models	\$1,850
DC5	<p>Acoustic Comfort Package</p> <p>PAF - Acoustic Comfort Package</p> <ul style="list-style-type: none"> <li>▪ PAF - Increased cabin insulation, windshield and side windows with acoustic and heat absorbing membrane</li> <li>▪ 596 - Infrared-reflecting glass</li> </ul>	All Models	\$1,100
DG1	<p>AMG Line Exterior</p> <ul style="list-style-type: none"> <li>▪ AMG rear apron with diffuser-look insert in black and trim strip in chrome</li> <li>▪ AMG brushed stainless steel sports pedals with black rubber studs</li> <li>▪ P31 - AMG front apron with striking, sporty air outlets in the wheel arch linings</li> <li>▪ Wheel - Choice of</li> <li>▪ Flared wheel arches at front and rear, painted in the vehicle color - name</li> <li>▪ AMG Floor Mats</li> <li>▪ L5C - Multifunction sport steering wheel w/Airbag cover in nappa leather</li> <li>▪ Brake system with larger brake discs at the front axle</li> <li>▪ AMG side skirts painted in the vehicle color</li> </ul>	All Models	\$4,350
DC1	<p>Night Package</p> <ul style="list-style-type: none"> <li>▪ OPT - Wheel Choice of: <ul style="list-style-type: none"> <li>○ RPB - 22" AMG Multispoke Wheels w/ Black Accents (+ \$1,250)</li> <li>○ RWH - 21" AMG 5-Spoke Wheels w/ Black Accents</li> <li>○ RPK - 23" AMG Twin 5-Spoke Wheels - Black (+ \$3,150)</li> </ul> </li> <li>▪ P55 - High-gloss black elements: front apron trim strip, simulated underguard, rear apron trim strip, side mirrors, window line trim strip, beltline trim strip</li> <li>▪ Radiator grille with 4 slats in dark chrome</li> <li>▪ Matte black elements: roof rails</li> </ul>	All Models	\$400



# Options

## Factory Options

<i>Code</i>	<i>Options</i>	<i>Availability</i>	<i>MSRP</i>
224	Captain Chairs for second row (6 seat configuration)	All Models	\$0
226	7 Seat Configuration	All Models	\$0
293	Rear Side Airbags	All Models	\$700
297	Electric Rear Side-Window Sunshades	All Models	\$580
443	Steering Wheel Heating Now available with all steering wheel options	All Models	\$250
550	Trailer Hitch Includes Increased Towing Capacity (557); Please note: no accessory retrofit available	All Models	\$600
553	Trailer Manoeuvring Assist Requires Trailer Hitch (550)	All Models	TBD
582	5-Zone Climate Control Standard on GLS 580. Adds additional air vents in headliner	All Models	\$400
735	Exclusive Wood Trim Package Adds wood trim on back of front seats with additional ambient lighting	All Models	\$450
846	Illuminated Running Boards Standard on GLS 580. Please note: no accessory retrofit available	All Models	\$650
874	MAGIC VISION CONTROL incl. Heated Windscreen Washer System	All Models	\$350
883	Soft Close Doors Standard on GLS 580	All Models	\$550
L2D	Wood/Leather Multifunction Steering Wheel Requires MANUFAKTUR Piano Lacquer Flowing Lines (H11) & Steering Wheel Heating (443)	All Models	\$600
U09	Lower Dashboard & Door Beltlines in MB-Tex	All Models	\$350
U38	Dashboard & Door Beltlines in Nappa Leather Only with Black Exclusive Nappa leather upholstery (951)	All Models	TBD
21U	Dashcam	All Models	\$200
811	Burmester® High-End 3D Surround Sound System Requires 5-Zone Climate Control (582). TIREFIT replaces spare tire. If ordered with Pinnacle Trim (DX2), removes MBUX Interior Assistant (77B).	All Models	\$4,550



## VPC Installed Options

<i>Code</i>	<i>Options</i>	<i>Availability</i>	<i>MSRP</i>
D07	Wheel Locking Bolts	All Models	\$160
D08	Chrome Door Handle Inserts	All Models	\$100
D11	Roof Spoiler	All Models	\$685
D26	Load Sill Guard	All Models	\$175
D43	All-Season Front/Rear Floor Mats	All Models	\$170
D49	First Aid Kit	All Models	\$35



# Specifications

GLS450W4



## Drivetrain

Transmission	9G-TRONIC 9-Speed Automatic Transmission
Drive Configuration	All-wheel drive
Transmission Speeds	9

## Engine

Engine Configuration	3.0L Inline-6 Turbo Engine with 48V Mild-Hybrid System
Power (hp)	375 hp
Torque (lb-ft)	369 lb-ft
Compression Ratio	10.0:1
Fuel Tank Size (gallons)	23.8
Fuel Requirement (Octane)	91
Electric Motor (hp), System Output (hp)	20
Electric Motor (lb-ft), System Torque (lb-ft)	148
Displacement (cc)	2,999

## Performance

Acceleration	0-60mph 5.8 sec
Top Speed (mph)	130

## Fuel Economy

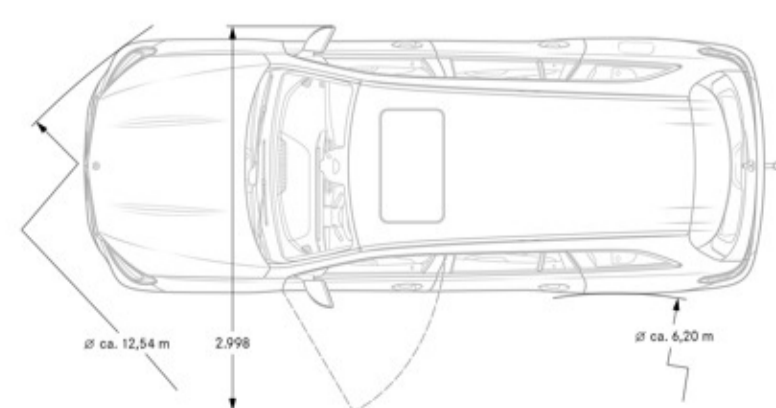
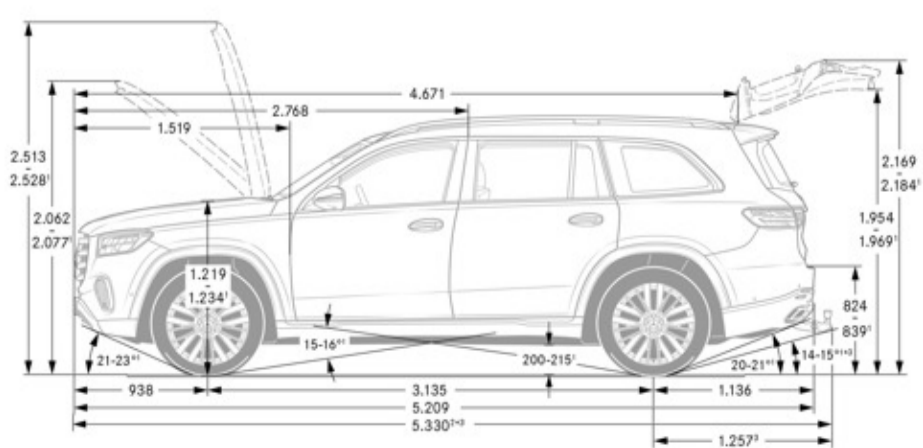
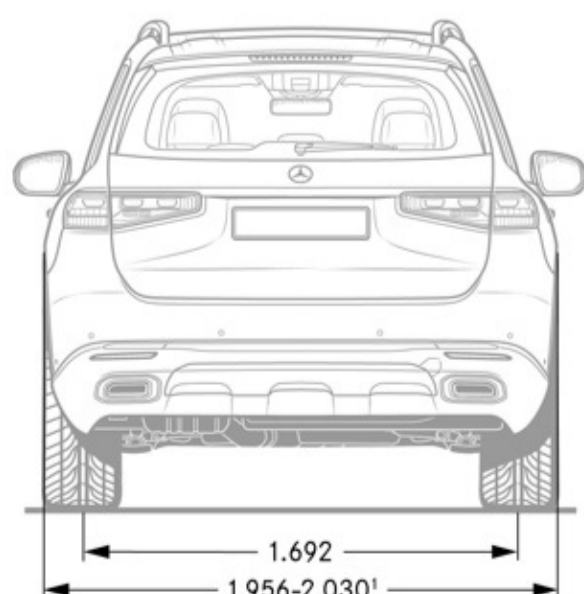
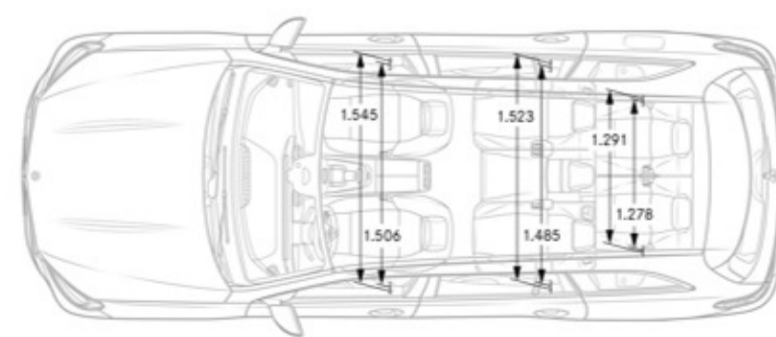
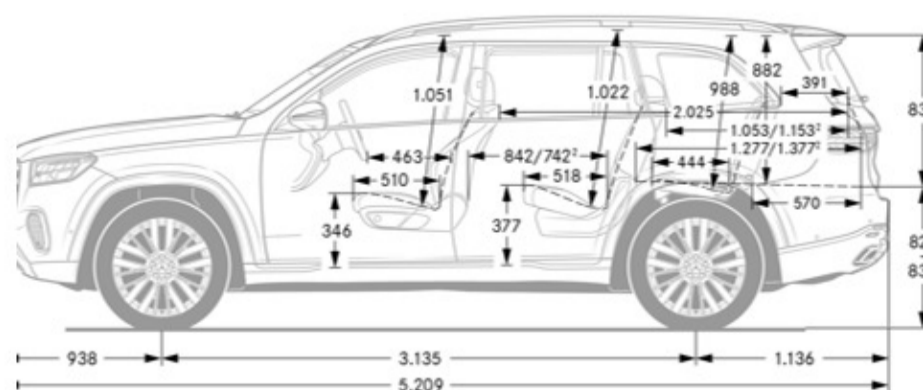
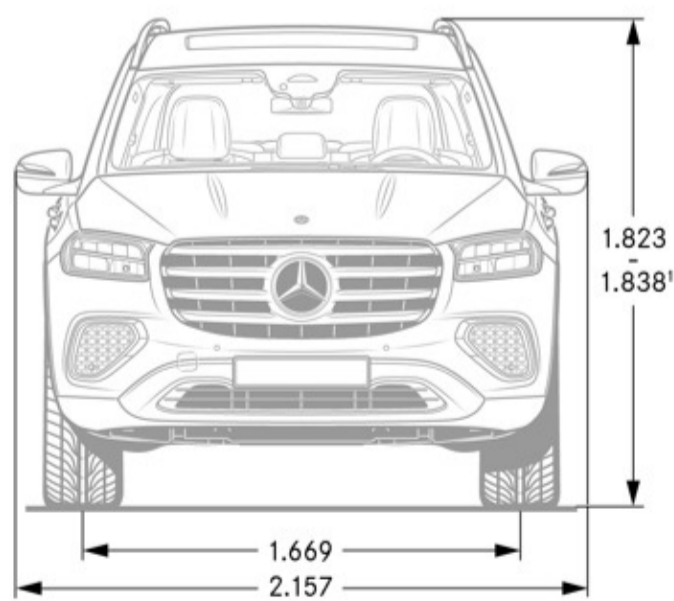
Fuel Economy	TBD
--------------	-----

## Exterior Dimensions

Vehicle Length (in.)	205
Vehicle Height (in.)	71.8
Vehicle Width w/ Exterior Mirrors (in.)	84.9
Wheelbase (in.)	123.4
Coefficient of Drag	N/A
Curb Weight (lbs)	5,489
Maximum Load (lbs)	TBD
Track Width Front/Rear	65.7/66.6
Towing Capacity (lbs)	7,700

## Interior Dimensions

Passenger Capacity	6/7
Headroom (front)	39,4 in.
Legroom (front)	40.3 in.
Shoulder Room (front)	59.3 in.
Headroom (rear)	40.2 in.
Legroom (Rear)	41.9 in.
Shoulder Room (Rear)	58.5 in.
Cargo Capacity	17.4 in.
Trunk Size	42.7 cu ft



### Standard Exterior vs. AMG Line Exterior (DG1)



Standard Exterior



AMG Line Exterior (DG1)

### AMG Line (DG1) vs. AMG Line w/ Night Package (DC1)

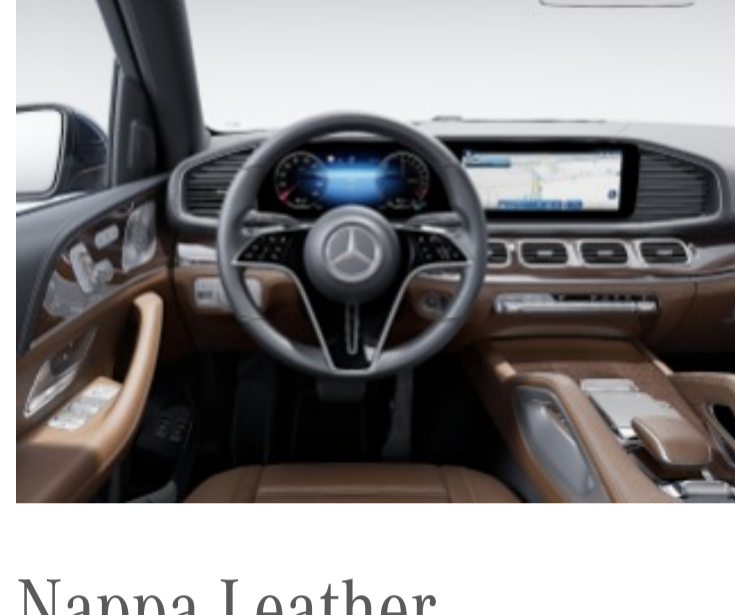


AMG Line Exterior (DG1)



AMG Line w/ Night Package (DC1)

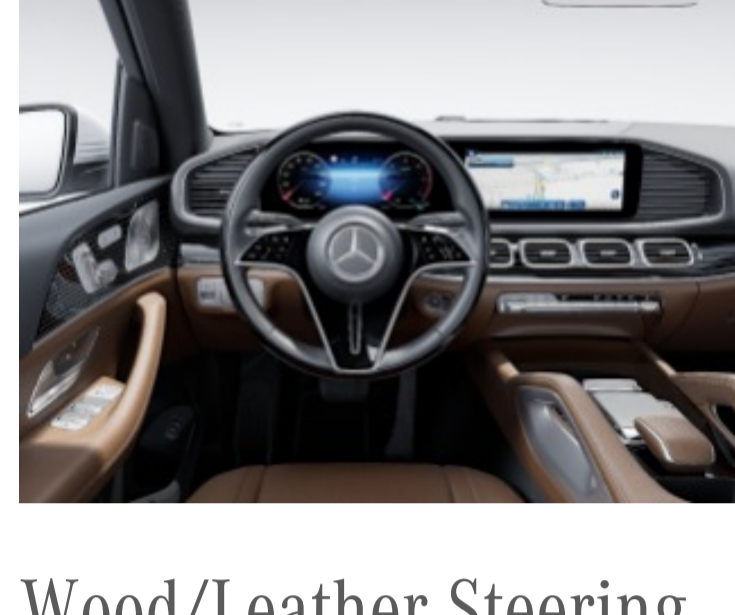
### Steering Wheel Options



#### Nappa Leather Multifunction Steering Wheel (L2B)

Standard

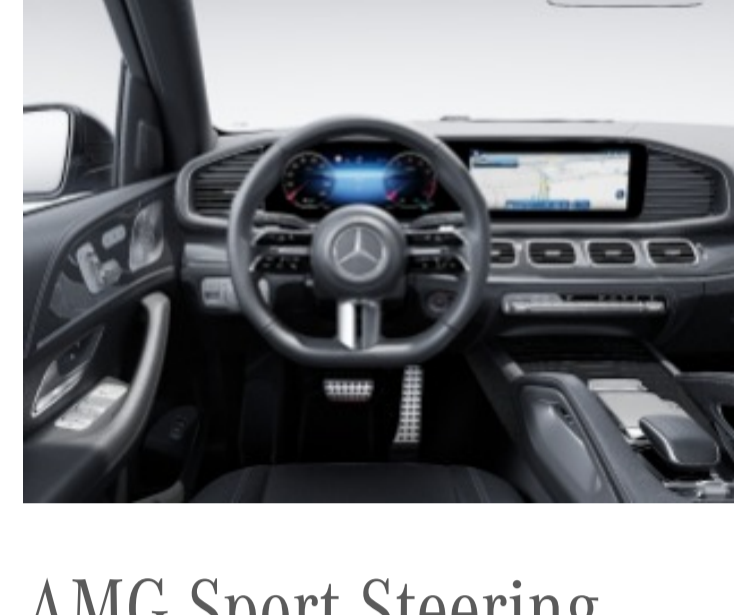
- 3-spoke steering wheel in nappa leather
- Spokes in high-gloss black with silver chrome surround
- Steering wheel paddle shifters in silver chrome
- Operation via Touch Control panels



#### Wood/Leather Steering Wheel (L2D)

Option Price: \$600  
Requires MANUFAKTUR Piano Lacquer Flowing Lines Trim (H11) and Heated Steering Wheel (443)

- 3-spoke steering wheel in Wood/leather finish
- Spokes in high-gloss black with silver chrome surround
- Steering wheel paddle shifters in silver chrome
- Operation via Touch Control panels



#### AMG Sport Steering Wheel (L5C)

Included with AMG Line (DG1)

- Sport 3-twin-spoke steering wheel with flattened bottom
- Finished in nappa leather, heavily embossed in the grip area
- Horizontal twin spokes in high-gloss black, vertical twin spokes in silver chrome
- Shift paddles in silver chrome
- Control via touch control panels

### Burmester® Surround Sound System



#### Burmester® Surround Sound System (810) w/ Dolby Atmos®, Music Streaming & Sound Personalization

Standard

- 13 high-performance speakers precisely configured for the vehicle interior to ensure well-balanced and very dynamic music reproduction
- 9-channel DSP amplifier with a total output of 590 watts (7 x 50 W and 2 x 120 W) for maximum sound quality with very high volume reserves
- Frontbass® technology with woofers integrated into the body-in-white
- Sound personalisation (32U)
- 2 sound presets: "Pure" as well as "Surround" to generate a virtual all-round sound, including multi-channel format support for authentic surround sound with Dolby Atmos®
- Sound optimisation for the front and rear seats
- Pre-installation for Online Music Streaming (22U)

### Burmester® High-End 3D Surround Sound System

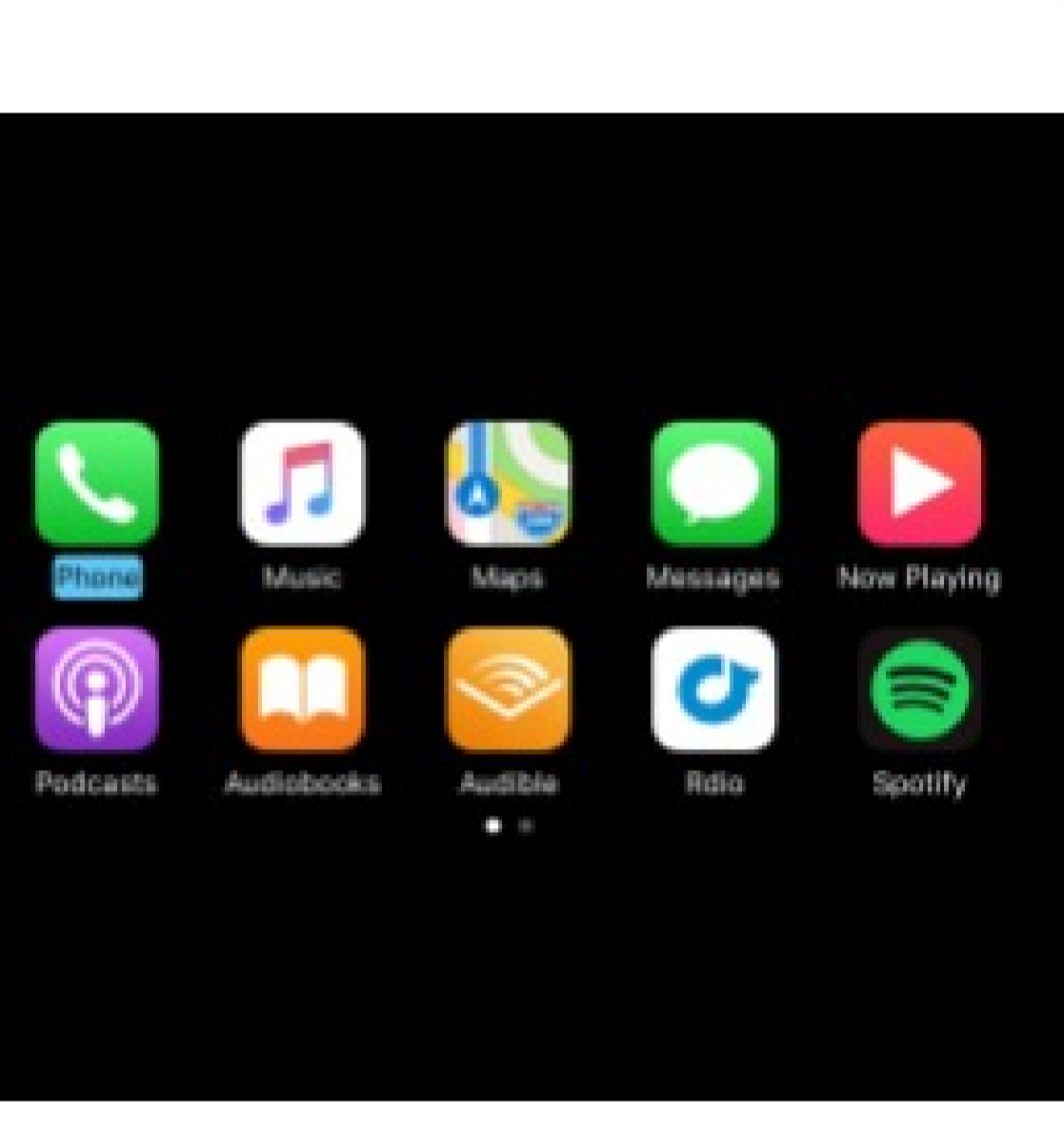


#### Burmester® High-End 3D Surround Sound System (811) w/ Dolby Atmos®, Music Streaming & Sound Personalization

Optional (\$4,550)

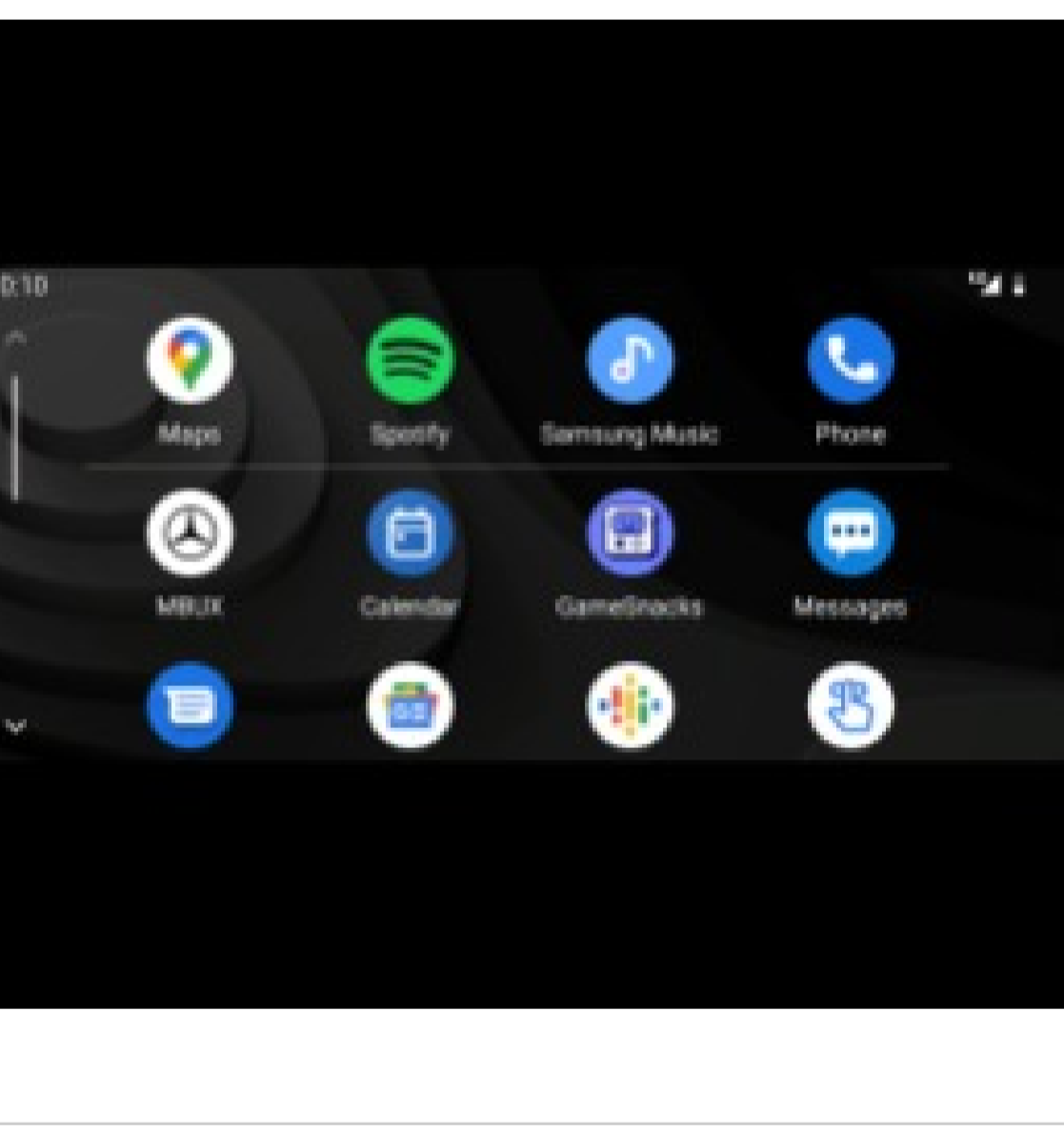
- High-end sound system with 3D surround sound effect:
  - 29 high-end speakers including subwoofer and speaker units in the headliner
  - 7 ring-radiator tweeters
  - 7 mid-range speakers
  - 4 low to mid-range speakers
  - 5 3D broadband speakers
  - 2 dual-coil Frontbass speakers
  - 1 active subwoofer in the rear with an additional 400 W amplifier
  - Mid-range, low to mid-range and Frontbass speakers with membranes made of woven glass-fibre
  - 27-channel amplifier with digital and active analog filters and an output of 1210 watts plus an additional subwoofer booster amplifier delivering 400 watts (total system output 1610 watts)
  - Separate power supply for the analog and digital sides of the amplifier
  - VIP seat function to optimise the sound for individual seats
  - Sound personalisation
  - 5 sound presets: Pure, Live, Easy Listening, Surround, 3D-Sound
  - active analog filters for multi-faceted, natural and balanced mid and high-range reproduction
  - Vehicle noise compensation (VNC) for dynamic equalising
  - Supports multichannel audio formats
  - Multi-channel format support for authentic surround sound with Dolby Atmos®
- 2-way in-car communication
- Pre-installation for Online Music Streaming (22U)

### Wireless Smartphone Integration



Standard

- Smartphone Integration connects the mobile phone with the multimedia system wirelessly via Apple CarPlay™ or Android Auto™. This gives you convenient access to the most important apps on your smartphone.



### Trailer Maneuvering Assist (553)



Option Price: \$350. Only with Trailer Hitch (550)

The Trailer Maneuvering Assist now works via a camera-based system and is also suitable for trailers equipped with a separate stabilization device. The optional assist system makes maneuvering with a trailer even easier, more convenient and safer. It automatically regulates the steering angle of the towing vehicle up to a speed of 3 mph and an uphill gradient of up to 15 percent. It is also integrated into MBUX and can be operated intuitively via the touchscreen. In addition to stabilizing the vehicle/trailer combination when reversing, the system can also guide the trailer around freely selectable turns of up to 90 degrees. The steering of the towing vehicle is operated automatically so that the selected angle is maintained. This allows more precise positioning of the trailer. The driver can also select a corresponding function once the trailer has reached the desired direction and needs to reverse in a straight line. The entire maneuvering process can be followed from different camera perspectives on the central display. Dynamic guide lines show the path ahead and the vehicle width. The system must be briefly trained. However, no markings on the trailer are necessary for the visual measurement of the drawbar length.



### Head-Up Display (463)



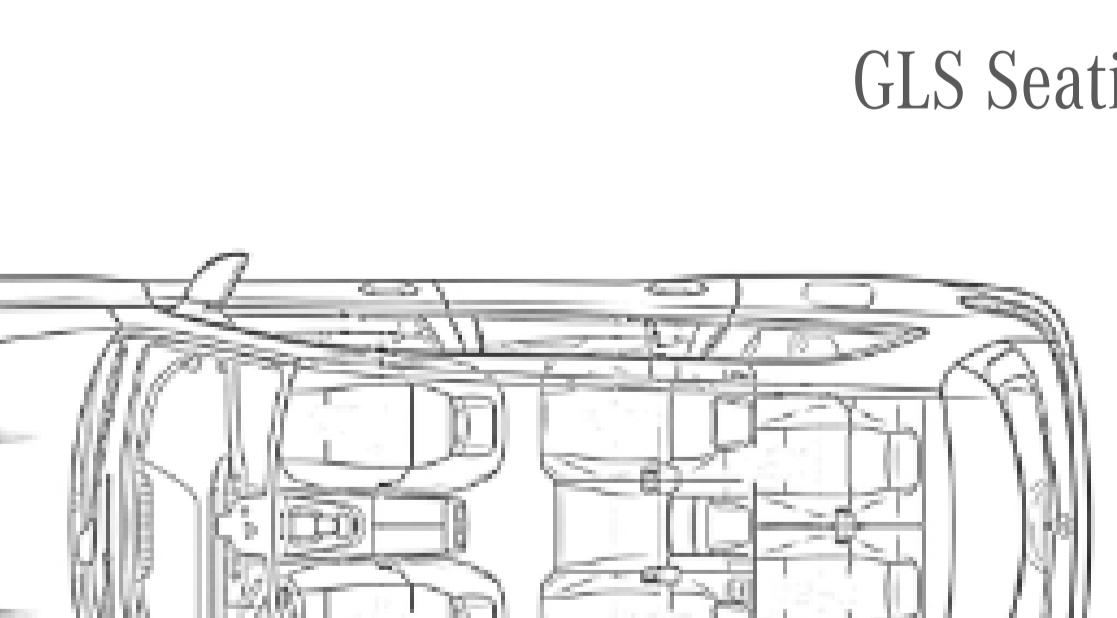
#### Head-Up Display (463)

Included with Pinnacle Trim (DX2)

The Head-Up Display at a glance:

- Key driver information at a glance (e.g. speed, speed limits, navigation prompts, warnings or settings for the driving assistance systems) without the driver having to take their eyes off the road
- Projection of a virtual image measuring approx. 9.45" x 3.15" into the driver's field of vision
- Presentation of information in high-resolution and in color, making it clearly legible even on sunny days and at night
- Height position of the image, brightness and displayed content can be changed individually via a menu in the instrument cluster and can be stored conveniently via the optional memory function for the driver's seat

### GLS Seating Choices

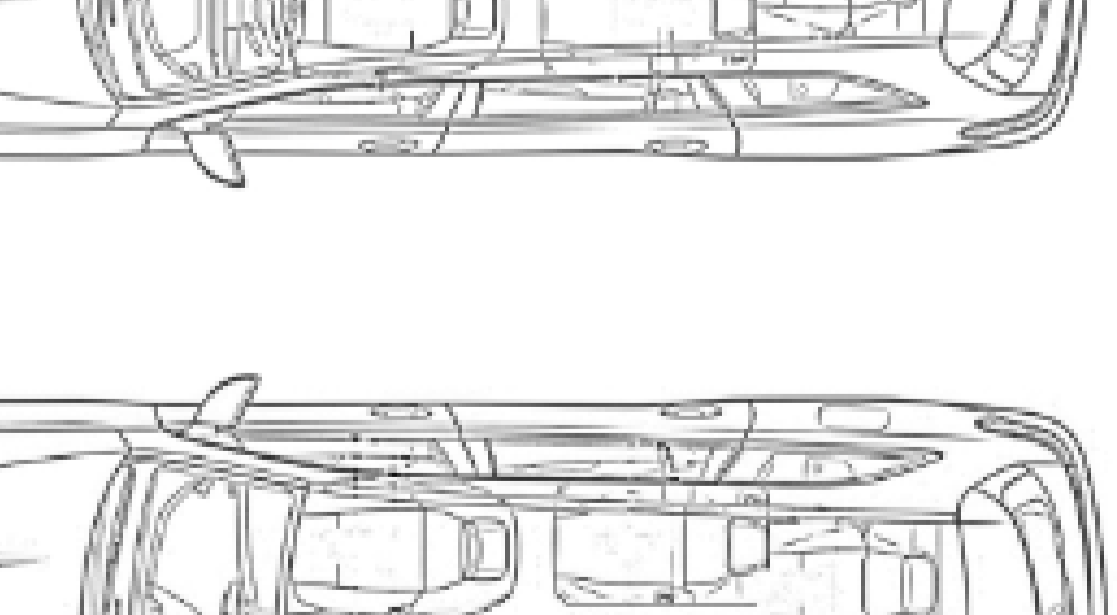


#### 7 Seat Configuration (226)

No additional pricing

2 + 3 + 2 Seats  
Fully electrical bench in 2nd row.

Required for Executive Rear Seat Package Plus



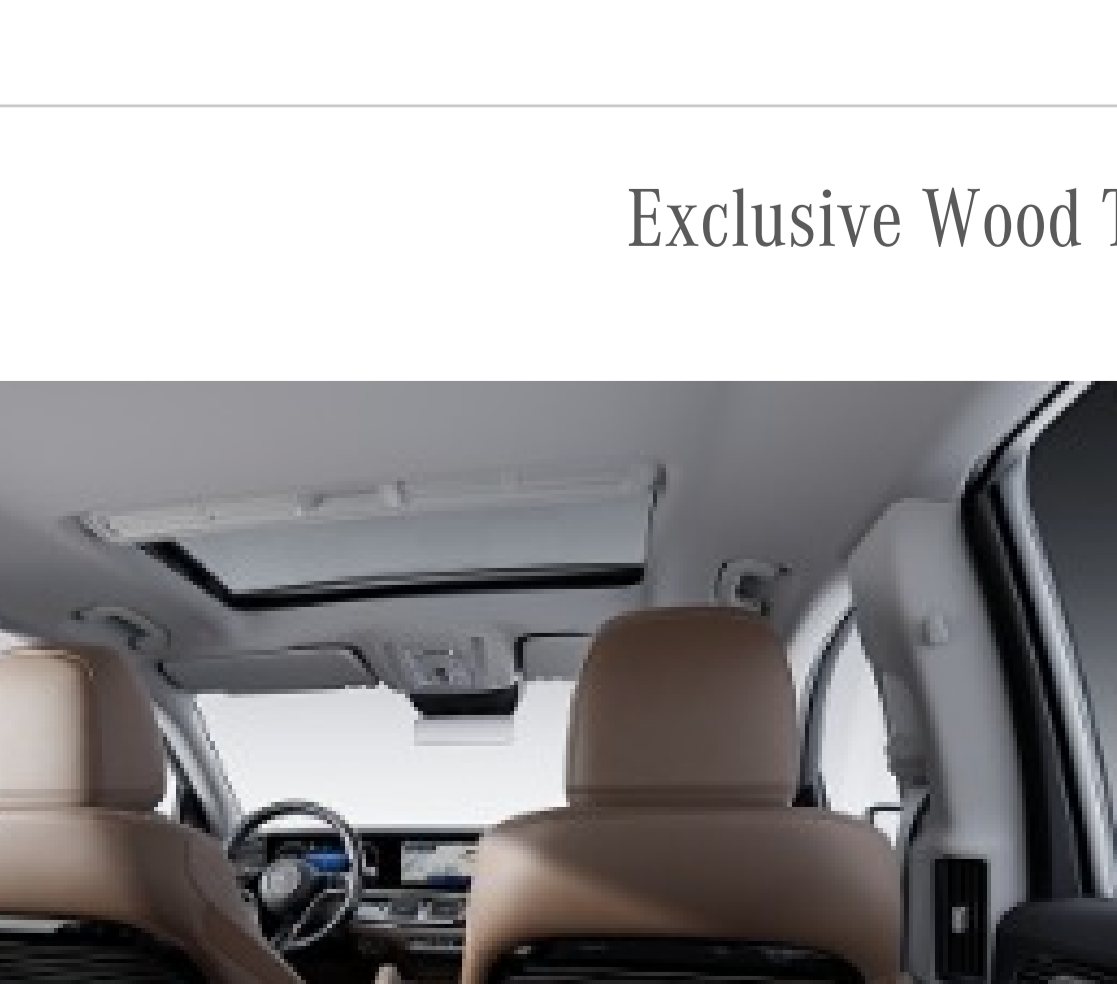
#### 6 Seat Configuration (224)

No additional pricing

2 + 2 + 2 Seats

Individual Seats with Armrests in 2nd row

### Exclusive Wood Trim Package (735)



- The Exclusive Wood Trim Package lends your interior an individual look. Additional trim elements on the back of the front seat backrests blend seamlessly into the interior, creating exciting contrasts. The rear seat passengers in particular can enjoy an enhanced sense of high-class appeal.
- Map pockets in MB-Tex





# Gallery

