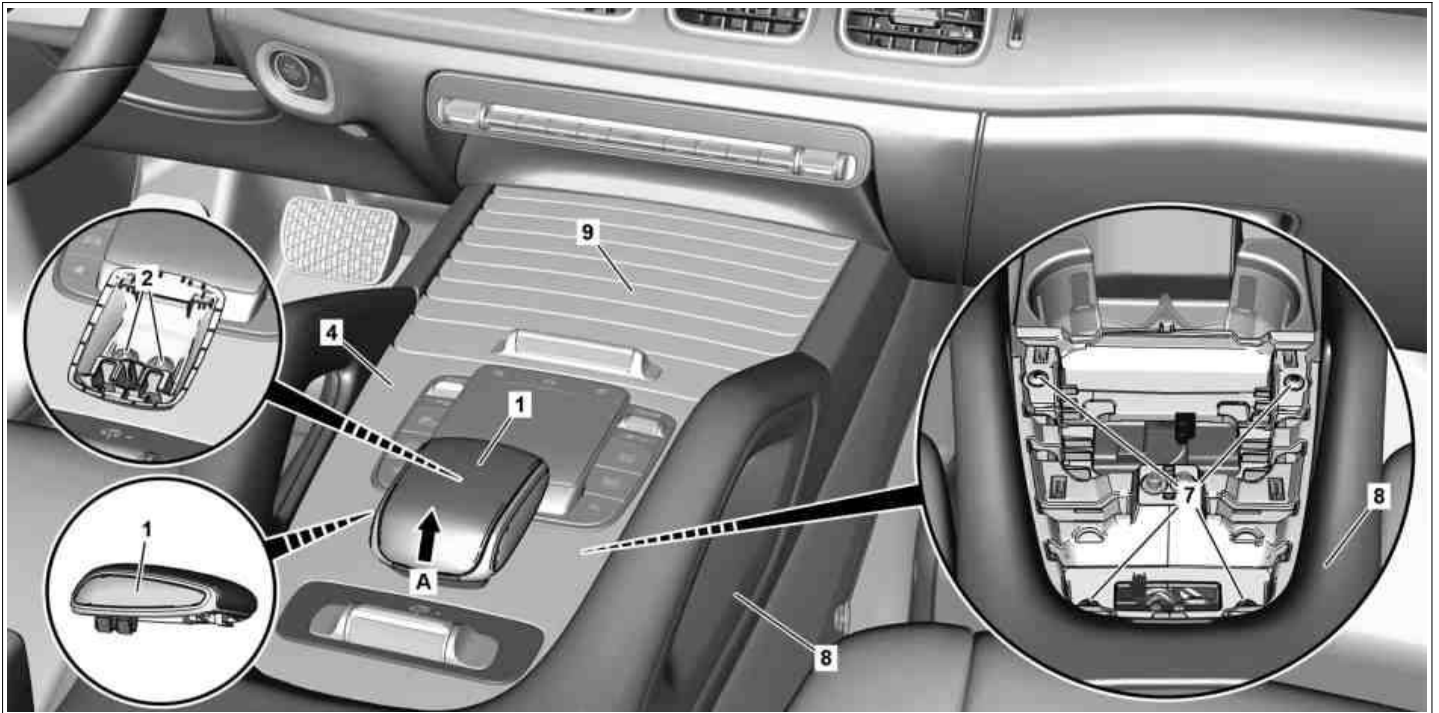


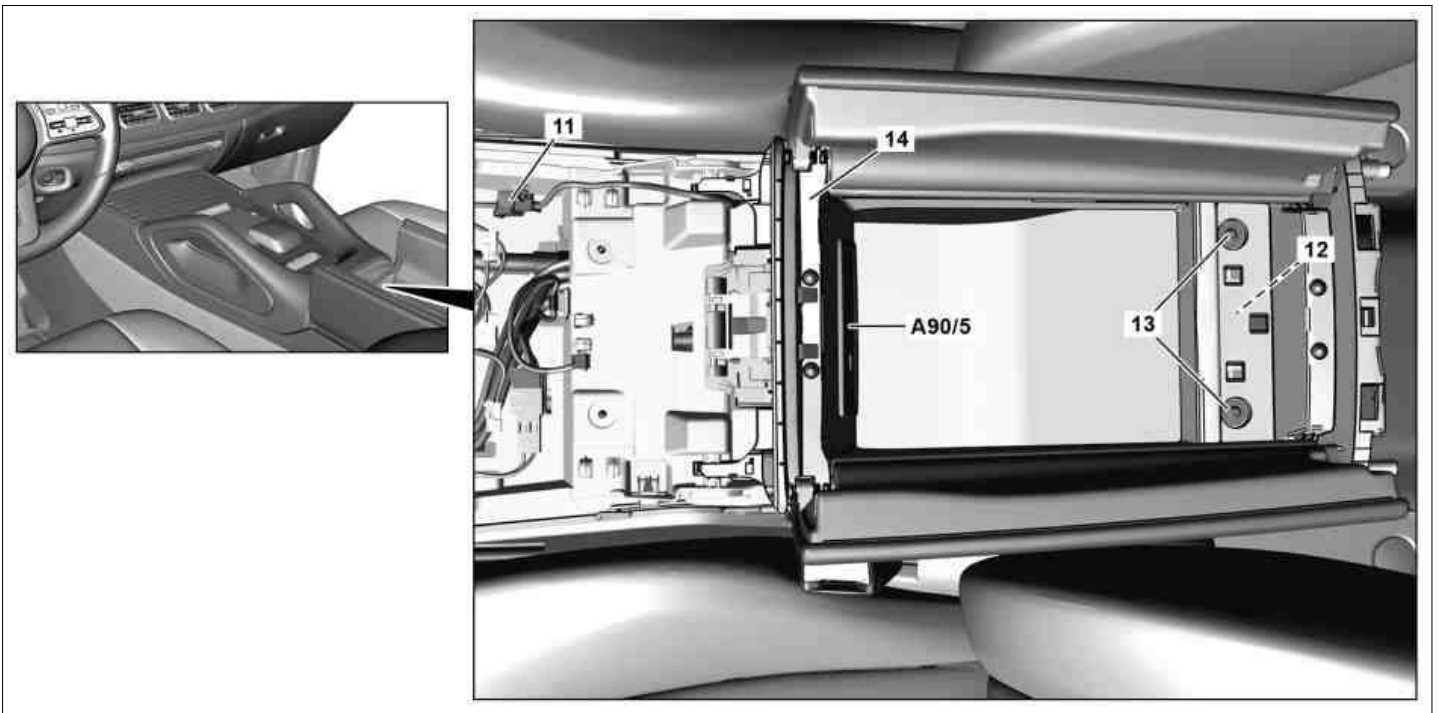
Model 167



P68.20-5219-09

1 Hand rest
2 Bolts
4 Cover

7 Bolts
8 Grab handle
9 Roller blind

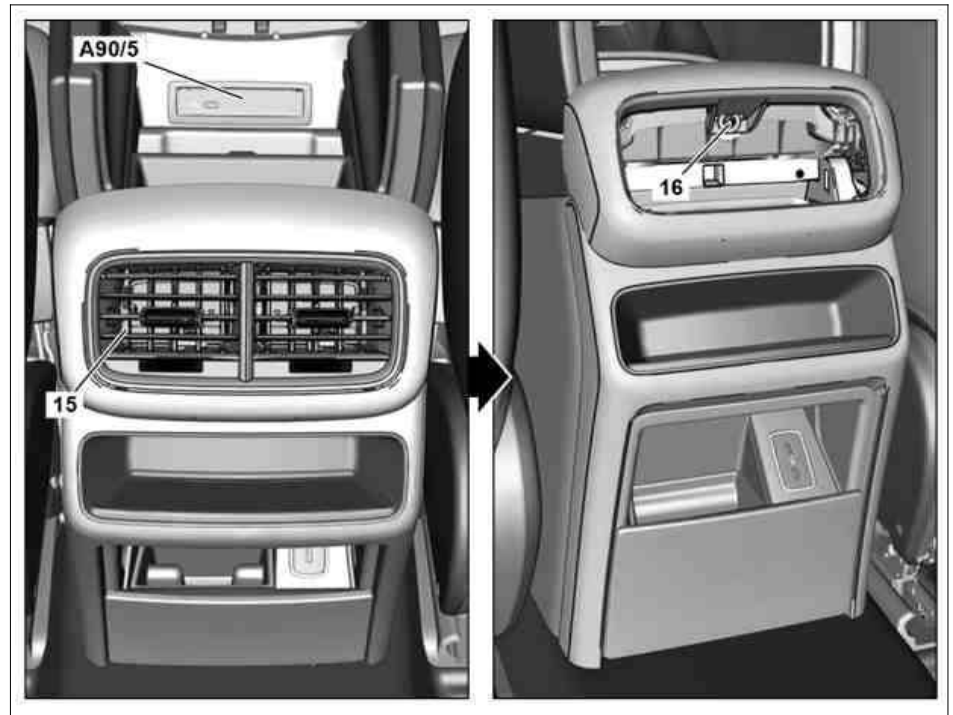


P68.20-5220-09

- 11 Electrical connector
- 12 Cover
- 13 Bolts

- 14 Armrest cover
- A90/5 Multimedia connection unit

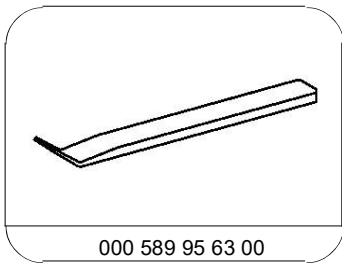
- 15 Fresh air vent
- 16 Screw
- A90/5 Multimedia connection unit



P68.20-A005-06

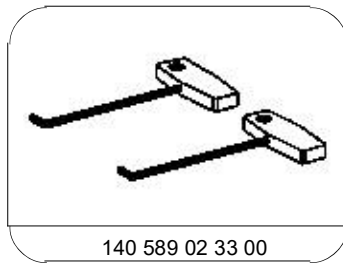
	Information on preventing damage to electronic components due to electrostatic discharge		AH54.00-P-0001-01A
☒ ☒	Remove/install		
1	Switch off ignition and store transmitter key outside of transmitter range (min. 2 m).		
2	Unclip handrest (1) at the rear end upward (arrow A) and remove toward rear.		
3	Unscrew screws (2) and remove base of handrest (1).		
4	Push roller blind (9) and unclip cover (4) from the front toward the rear until the electrical connectors are accessible.	⚠ Do not crush or kink or subject electric lines to tension. This will result in damage to the electric lines and can impair their function.	
5	Release electrical connectors, disconnect and remove cover (4).	ⓘ The number of electrical connectors varies according to vehicle equipment.	
6	Unscrew screws (7).		
7	Release grab handle (8) until electrical connectors can be accessed, release and disconnect these.	⚠ Do not crush or kink or subject electric lines to tension. This will result in damage to the electric lines and can impair their function. ⚠ Installation: Ensure electrical connectors are correctly routed. To prevent damage and noise development during vehicle operation. ⓘ The number of electrical connectors varies according to vehicle equipment.	

8	Expose electrical wiring harnesses at underside of grab handle (8) and remove grab handle (8).	<p>⚠ Installation: Ensure that electrical wiring harnesses are routed correctly. To prevent damage and noise development during vehicle operation.</p> <p>ℹ The number of electrical wiring harnesses varies depending on vehicle equipment.</p>	
9	Remove air vent (15) with suitable tool and extraction hook.	<p>🔧 Extraction hook</p>	*140589023300
10	Remove screw (16).		
11	Remove bolts (13).		
12	Remove cover (12).		
13	Release and disconnect electrical connector (11) and unclip from center console.	<p>Model 167 with code 906 (Front armrest heater)</p> <p>🔧 Dismantling tool</p>	*000589956300
14	Remove multimedia connection unit (A90/5) in stowage compartment of armrest.		AR82.60-P-1037ME
15	Lift armrest cover (14) at rear and guide out towards rear from center console.	<p>⚠ Carefully remove armrest cover (14). Armrest cover (14) and/or center console can otherwise be damaged.</p> <p>⚠ Installation: Ensure that electrical wiring harness is routed properly. To prevent damage and noise development during vehicle operation.</p>	
16	Install in the reverse order		



000 589 95 63 00

Dismantling tool



140 589 02 33 00

Extraction hook