



Table of Contents

1	General Information
2	What's New
3	Models
4	Equipment
4.1	Standard Equipment
4.2	Exterior Paint Colors
4.3	Wheels
4.4	Interior Upholstery
4.6	Interior Trims
4.7	Packages
4.8	Options
4.9	Specifications
5	Options In Detail
6	Gallery



General Information

Important Note

The information presented in this guide is based on the most current information available and is intended for internal use only. Mercedes-Benz reserves the right to make changes at any time, without notice, to colors, materials, equipment, special specifications and models.

Pricing may not yet be finalized for some models or options.

Due to variances among monitors and printers the colors that appear on your screen and printouts may not be exact.

For illustrative purposes, some images may show vehicles with European Specification.

Revision History

Date	Description
08/22/2023	MANUFAKTUR Dimond White (799) is discontinued beginning with January production. MANUFAKTUR Moonlight White (885) will be available starting with with April production.
08/01/2023	GLS580W4 MSRP added.
07/31/2023	Updated cargo capacity for GLS450/GLS580.
07/24/2023	AMG GLS63W4 - Trailer Hitch (550/557) Now Standard for MY24.
07/14/2023	AMG GLS63W4 -Option B07 AMG High-Performance Ceramic Compound Braking System is no longer available due to global capacity issues fro the remainder of MY24 Production



What's New

Standard Equipment

- **New Front Bumper and Grille Design**
- **Front Air Vents now in chrome finish**
- **Latest Generation Steering Wheel with capacitive controls**
- **Two 100W USB-C ports in the rear (U82)**
- **MBUX Augmented Video for Navigation (U19) is now standard**
- **Latest generation Mercedes-Benz User Experience (MBUX) - NTG7**
- **New Taillight design**
- **Surround View System (P47) with Transparent Hood feature (04U)**
- **Driver Assistance Package (P20) is now standard**
- **Updated Burmester Surround Sound System w/ Dolby Atmos, Sound Personalization, and Online Music Streaming (810+22U+32U)**

Optional Equipment

Paints

- **Twilight Blue Metallic (842)**
- **MANUFAKTUR Alpine Grey (956)**

Upholstery

- **Bahia Brown replaces Espresso Brown**
- **All new Catalana Beige Leather (225)**

Trim

- **MANUFAKTUR Brown Linden Wood Flowing Lines (H34) & MANUFAKTUR Natural Grain Black Wood (H35) trims are no longer available**
- **MANUFAKTUR Piano Lacquer Flowing Lines (H11) is now available**
- **Brown Linden Wood (04H) replaces Grey Linden Wood (H18)**



Models



GLS450W4 (167.959)

- MSRP: \$87,000
- Transmission: 9G-TRONIC 9-Speed Automatic Transmission
- Transmission Speeds: 9
- Acceleration : 0-60mph 5.8 sec
- Engine Configuration: 3.0L Inline-6 Turbo Engine with 48V Mild-Hybrid System
- Power (hp): 375 hp
- Torque (lb-ft): 369 lb-ft
- Electric Motor (lb-ft), System Torque (lb-ft): 148
- Launch Date: Q3 2023



GLS580W4 (167.986)

- MSRP: \$112,000
- Transmission: 9G-TRONIC 9-Speed Automatic Transmission
- Transmission Speeds: 9
- Acceleration : 0-60 mph 4.7 sec
- Engine Configuration: 4.0L V8 Bi-Turbo Engine with 48V Mild-Hybrid System
- Power (hp): 510 hp
- Torque (lb-ft): 538 lb-ft
- Electric Motor (lb-ft), System Torque (lb-ft): 184
- Launch Date: Q3 2023



Standard Equipment

GLS450W4



Performance & Handling

- 9G-TRONIC 9-Speed Automatic Transmission
- 21" MB wheels
- 3.0L inline-6 turbo engine with 48V Mild Hybrid
- AIRMATIC Suspension
- All Season Tires

Comfort & Convenience

- KEYLESS-GO
- Power Liftgate
- LED Intelligent Light System
- Power Tilt/Sliding Sunroof
- Touchpad in Center Console
- 12.3" Digital Instrument Cluster
- Wireless Apple CarPlay and Android Auto
- HERMES Communications Module LTE
- Ambient Lighting with 64 Colors and Illuminated Door Sills
- Power Front Seats with 4-Way Lumbar Support and Memory Function
- Garage Door Opener
- Spare Tire
- Privacy Glass
- Roof Rails
- Burmester® Surround Sound System
- Automatic Car Wash Mode
- Wireless Charging
- MBUX Augmented Video for Navigation
- HANDS-FREE ACCESS
- Remote Start
- Adaptive Highbeam Assist
- Multifunctional Steering Wheel with Capacitive Buttons
- MBUX User Interface incl. Voice Control with Natural Language Understanding
- 12.3" Media Display with Touchscreen
- 9 USBs (3 in front, 2 in 2nd row, 4 in 3rd row)
- MB Navigation with Live Traffic and Map Updates
- Heated Front Seats
- 4-Zone Climate control
- Load Compartment Cover
- Double Sun Visors
- Mirror Package (power folding mirrors, auto-dimming driver and rearview mirrors, mirror logo projector)
- Active Parking Assist with Surround View System
- SiriusXM® Radio
- Ventilated Front Seats
- Panorama Roof

Safety & Security

- ATTENTION ASSIST®
- Rear View Camera
- Active Brake Assist
- Vehicle Exit Warning
- 233 Active Distance Assist DISTRONIC
- Active Stop-and-Go Assist
- Evasive Steering Assist
- P20 Driver Assistance Package
- Active Blind Spot Assist
- PRE-SAFE®
- eCall-Emergency System
- Enhanced Alarm System with Parking Damage Detection
- 546 Active Speed Limit Assist
- Active Steering Assist
- Active Lane Keeping Assist



Performance & Handling

- 9G-TRONIC 9-Speed Automatic Transmission
- 22" wheels
- 4.0L V8 Bi-turbo engine with 48V Mild-Hybrid System
- AIRMATIC Suspension w/ Adaptive Damping System ADS
- R01 Summer Tires

Comfort & Convenience

- KEYLESS-GO
- Power Liftgate
- LED Intelligent Light System
- Power Tilt/Sliding Sunroof
- Touchpad in Center Console
- 12.3" Digital Instrument Cluster
- Apple CarPlay and Android Auto
- HERMES Communications Module LTE
- Ambient Lighting with 64 Colors and Illuminated Door Sills
- Heated Second Row Seats
- Power Front Seats with 4-Way Lumbar Support and Memory Function
- Garage Door Opener
- Spare Tire
- Privacy Glass
- Roof Rails
- Burmester® Surround Sound System
- Active Multicontour Front Seats with Massage Function
- Soft Close Doors
- Automatic Car Wash Mode
- Panorama Roof
- HANDS-FREE ACCESS
- Remote Start
- Adaptive Highbeam Assist
- Multifunctional Steering Wheel with Touch Control Buttons
- MBUX User Interface incl. Voice Control with Natural Language Understanding
- 12.3" Media Display with Touchscreen
- 9 USBs (3 in front, 2 in 2nd row, 4 in 3rd row)
- MB Navigation with Live Traffic and Map Updates
- Heated and Ventilated Front Seats
- Heated Steering Wheel
- 5-Zone Climate control
- Load Compartment Cover
- Double Sun Visors
- Mirror Package (power folding mirrors, auto-dimming driver and rearview mirrors, mirror logo projector)
- Active Parking Assist with Surround View System
- SiriusXM® Radio
- Illuminated Running Boards
- Metallic Paint
- Wireless Charging

Safety & Security

- ATTENTION ASSIST®
- Rear View Camera
- Active Brake Assist
- Vehicle Exit Warning
- 233 Active Distance Assist DISTRONIC
- Active Stop-and-Go Assist
- P20 Driver Assistance Package
- Evasive Steering Assist
- Active Blind Spot Assist
- PRE-SAFE®
- eCall-Emergency System
- Enhanced Alarm System with Parking Damage Detection
- 546 Active Speed Limit Assist
- Active Steering Assist
- Active Lane Keeping Assist



Paint

Non-Metallic Paints



040U - Black



149U - Polar White

Metallic Paints



197U - Obsidian Black



922U - Cirrus Silver



989U - Emerald Green



842U - Twilight Blue



992U - Selenite Grey

MANUFAKTUR Paints



799U - MANUFAKTUR Diamond White Metallic

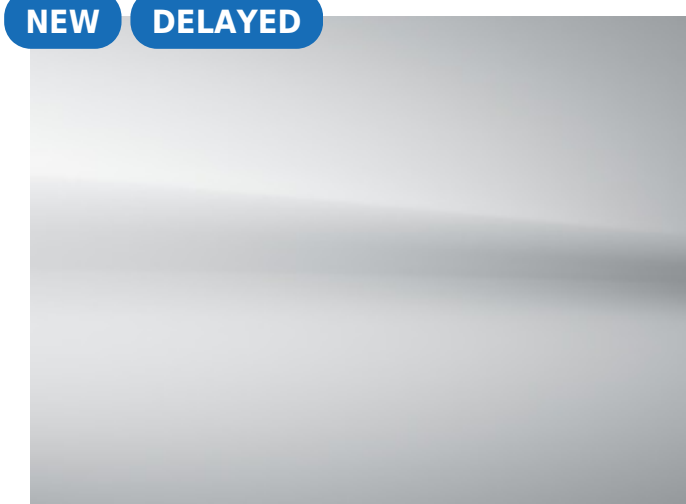
No longer available after December production



996U - MANUFAKTUR Cardinal Red Metallic



956U - MANUFAKTUR Alpine Grey



885U - MANUFAKTUR Moonlight White Metallic

Available beginning with April Production

Code	Description	Availability	Price
040U	Black	All Models	\$0
149U	Polar White	All Models	\$0
197U	Obsidian Black	All Models	\$0
922U	Cirrus Silver	All Models	\$0
989U	Emerald Green	All Models	\$0
842U (New)	Twilight Blue	All Models	\$0
992U	Selenite Grey	All Models	\$0
799U (Limited Availability)	MANUFAKTUR Diamond White Metallic No longer available after December production	All Models	\$1,750
996U	MANUFAKTUR Cardinal Red Metallic	All Models	\$1,750
956U (New)	MANUFAKTUR Alpine Grey	All Models	\$1,750
885U (New)	MANUFAKTUR Moonlight White Metallic Available beginning with April Production	All Models	\$1,750



Wheels



95R - 21" Triple 5-Spoke Wheels

21"

R02, 690

21" Triple 5-Spoke Wheels

275/45 R 21 on 10 J x 21 ET 62.5 (Front)

315/40 R 21 on 11 J x 21 ET 55 (Rear)

RWF - 21" AMG Twin 5-Spoke Wheels

Requires AMG Line (DG1)

21"

R02, 690

21" AMG Twin 5-Spoke Wheels

275/45 R 21 on 10 J x 21 ET 44 (Front)

315/40 R 21 on 11 J x 21 ET 42 (Rear)

RWH - 21" AMG Twin 5-Spoke Wheels w/ Black Accents

Requires Night Package (DC1PKG)

21"

R02, 690

21" AMG Twin 5-Spoke Wheels

275/45 R 21 on 10 J x 21 ET 44 (Front)

315/40 R 21 on 11 J x 21 ET 42 (Rear)

RPA - 22" AMG Multi-Spoke Wheels

Requires AMG Line (DG1)

22"

R01, 690

22" AMG Multi-Spoke Wheels

285/45 R 22 on 9.5 J x 22 ET 45 (Front)

325/40 R 22 on 11.5 J x 22 ET 47 (Rear)



NEW



RPB - 22" AMG Multi-Spoke Wheels w/ Black Accents

Requires Night Package (DC1PKG)

22"

R01, 690

22" AMG Multi-Spoke Wheels

285/45 R 22 on 9.5 J x 22 ET 45 (Front)

325/40 R 22 on 11.5 J x 22 ET 47 (Rear)

RPK - 23" AMG Twin 5-Spoke Wheels - Black

Requires AMG Line (DG1) & Night Package

(DC1)

23"

R01, 690

23" AMG Twin 5-Spoke Wheels - Black

285/40 R 23 on 9.5 J x 23 ET 45 (Front)

325/35 R 23 on 11.5 J x 23 ET 47 (Rear)

Code	Wheel Size	Description	Wheel Dimensions	Mobility	Availability	MSRP
95R	21"	21" Triple 5-Spoke Wheels	275/45 R 21 on 10 J x 21 ET 62.5 (Front) 315/40 R 21 on 11 J x 21 ET 55 (Rear)	R02, 690	GLS450W4	\$0
RWF	21"	21" AMG Twin 5-Spoke Wheels Requires AMG Line (DG1)	275/45 R 21 on 10 J x 21 ET 44 (Front) 315/40 R 21 on 11 J x 21 ET 42 (Rear)	R02, 690	GLS450W4	\$0
RWH	21"	21" AMG Twin 5-Spoke Wheels Requires Night Package (DC1PKG)	275/45 R 21 on 10 J x 21 ET 44 (Front) 315/40 R 21 on 11 J x 21 ET 42 (Rear)	R02, 690	GLS450W4	\$0
RPA	22"	22" AMG Multi-Spoke Wheels Requires AMG Line (DG1)	285/45 R 22 on 9.5 J x 22 ET 45 (Front) 325/40 R 22 on 11.5 J x 22 ET 47 (Rear)	R01, 690	All Models	\$1,350 (GLS450W4) \$0 (GLS580W4)
RPB	22"	22" AMG Multi-Spoke Wheels Requires Night Package (DC1PKG)	285/45 R 22 on 9.5 J x 22 ET 45 (Front) 325/40 R 22 on 11.5 J x 22 ET 47 (Rear)	R01, 690	All Models	\$1,350 (GLS450W4) \$0 (GLS580W4)
RPK (New)	23"	23" AMG Twin 5-Spoke Wheels - Black Requires AMG Line (DG1) & Night Package (DC1)	285/40 R 23 on 9.5 J x 23 ET 45 (Front) 325/35 R 23 on 11.5 J x 23 ET 47 (Rear)	R01, 690	All Models	\$3,150 (GLS450W4) \$1,900 (GLS580W4)



Upholstery

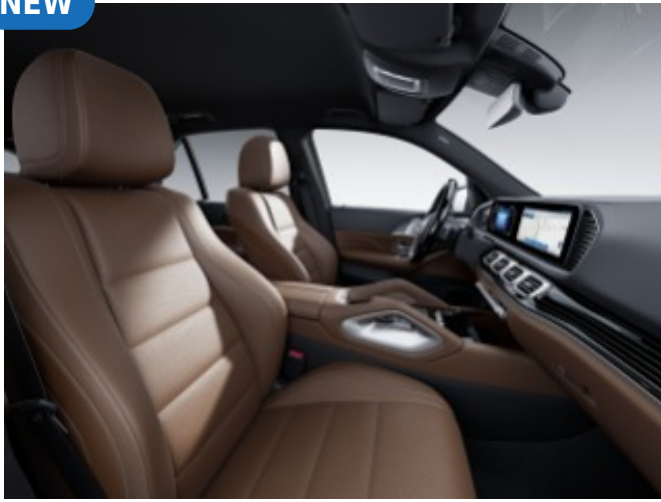
MB Tex



111A - Black MB-Tex

MB-Tex not available with Exclusive Trim (DX1) & Pinnacle Trim (DX2)

NEW



124A - Bahia Brown / Black MB-Tex

MB-Tex not available with Exclusive Trim (DX1) & Pinnacle Trim (DX2)



135A - Macchiato Beige/Black MB-Tex

MB-Tex not available with Exclusive Trim (DX1) & Pinnacle Trim (DX2)

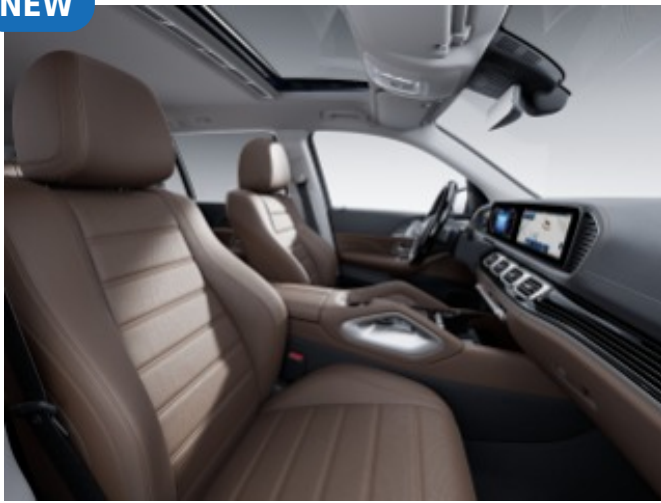
Leather



201A - Black Leather

Textured Leather

NEW



224A - Bahia Brown/Black Leather

Textured Leather



215A - Macchiato Beige /Black Leather

NEW



225A - Catalana Beige/Black Leather

Exclusive Nappa Leather



951A - Black Exclusive Nappa Leather

Only with Exclusive (DX1) or Pinnacle Trim (DX2). Requires Rear Side Airbags (293). Not with Macchiato Beige Headliner (55U)



<i>Code</i>	<i>Description</i>	<i>Availability</i>	<i>Price</i>
111A	Black MB-TeX MB-TeX not available with Exclusive Trim (DX1) & Pinnacle Trim (DX2)	GLS450W4	\$0
124A (New)	Bahia Brown / Black MB-TeX MB-TeX not available with Exclusive Trim (DX1) & Pinnacle Trim (DX2)	GLS450W4	\$0
135A	Macchiato Beige/Black MB-TeX MB-TeX not available with Exclusive Trim (DX1) & Pinnacle Trim (DX2)	GLS450W4	\$0
201A	Black Leather Textured Leather	All Models	\$1,620 (GLS450W4) \$0 (GLS580W4)
224A (New)	Bahia Brown/Black Leather Textured Leather	All Models	\$1,620 (GLS450W4) \$0 (GLS580W4)
215A	Macchiato Beige /Black Leather	All Models	\$1,620 (GLS450W4) \$0 (GLS580W4)
225A (New)	Catalana Beige/Black Leather	All Models	\$1,620 (GLS450W4) \$0 (GLS580W4)
951A	Black Exclusive Nappa Leather Only with Exclusive (DX1) or Pinnacle Trim (DX2). Requires Rear Side Airbags (293). Not with Macchiato Beige Headliner (55U)	All Models	\$2,990 (GLS450W4) \$1,370 (GLS580W4)

<i>Code</i>	<i>Upholstery</i>	<i>Seats</i>	<i>Floor Mats</i>	<i>Upper Dash/Lower Dash</i>	<i>Seat Belts</i>	<i>Steering Wheel</i>	<i>Headliner</i>
111A	Black MB-TeX MB-TeX not available with Exclusive Trim (DX1) & Pinnacle Trim (DX2)	Black	Black	Black/Black	Black	Black	Crystal Grey or Black
124A (New)	Bahia Brown / Black MB-TeX MB-TeX not available with Exclusive Trim (DX1) & Pinnacle Trim (DX2)	Bahia Brown	Black	Black /Bahia Brown	Black	Black	Crystal Grey or Black
135A	Macchiato Beige/Black MB-TeX MB-TeX not available with Exclusive Trim (DX1) & Pinnacle Trim (DX2)	Macchiato Beige	Black	Black /Macchiato Beige	Macchiato Beige	Black	Macchiato Beige
201A	Black Leather Textured Leather	Black	Black	Black/Black	Black	Black	Crystal Grey or Black
224A (New)	Bahia Brown/Black Leather Textured Leather	Bahia Brown	Black	Black /Bahia Brown	Black	Black	Crystal Grey or Black
215A	Macchiato Beige /Black Leather	Macchiato Beige	Black	Black /Macchiato Beige	Macchiato Beige	Black	Macchiato Beige
225A (New)	Catalana Beige/Black Leather	Catalana Beige	Black	Black /Catalana Beige	Black	Black	Crystal Grey or Black
951A	Black Exclusive Nappa Leather Only with Exclusive (DX1) or Pinnacle Trim (DX2). Requires Rear Side Airbags (293). Not with Macchiato Beige Headliner (55U)	Black	Black	Black/Black	Black	Black	Crystal Grey or Black



Trims

NEW



04H - Brown Linden Wood



H22 - Natural Grain Brown Walnut Wood



H31 - Natural Grain Grey Oak Wood



H46 - Brushed Aluminum with Longitudinal Grain

NEW



H11 - MANUFAKTUR Piano Lacquer Flowing Lines

<i>Code</i>	<i>Description</i>	<i>Availability</i>	<i>Price</i>
04H (New)	Brown Linden Wood	All Models	\$160
H22	Natural Grain Brown Walnut Wood	All Models	\$160
H31	Natural Grain Grey Oak Wood	All Models	\$160
H46	Brushed Aluminum with Longitudinal Grain	All Models	\$0
H11 (New)	MANUFAKTUR Piano Lacquer Flowing Lines	All Models	\$850



Packages

<i>Code</i>	<i>Packages</i>	<i>Availability</i>	<i>MSRP</i>
DX1 (New)	<p>Exclusive Trim</p> <p>Standard on GLS580W4. Not Available with MB-Tex (111A,124A,135A)</p> <ul style="list-style-type: none"> ▪ 399 - Multicontour Front Seats w/ Massage Function ▪ 902 - Rapid Heating for Front Seats ▪ 872 - Heated Rear Seats 	GLS450W4	\$1,750
DX2 (New)	<p>Pinnacle Trim</p> <p>Not Available with MB-Tex (111A,124A,135A)</p> <ul style="list-style-type: none"> ▪ C53 - Mercedes Star Pattern Logo Projectors ▪ 399 - Multicontour Front Seats w/ Massage Function ▪ 77B - MBUX Interior Assistant ▪ 872 - Heated Rear Seats ▪ 463 - Head-up Display ▪ P21 - AIR BALANCE ▪ 311 - Temperature Controlled Cupholders ▪ 902 - Rapid Heating for Front Seats 	All Models	\$3,550 (GLS450W4) \$1,800 (GLS580W4)
DB0	<p>Warmth and Comfort Package</p> <p>Only with Exclusive Trim (DX1) or Pinnacle Trim (DX2)</p> <ul style="list-style-type: none"> ▪ 906 - Front Heated Armrest ▪ 902 - Rapid Heating for Front Seats ▪ 907 - Rear Heated Armrest ▪ P69 - Warmth Comfort Package 	All Models	\$1,100
DC5	<p>Acoustic Comfort Package</p> <p>PAF - Acoustic Comfort Package</p> <ul style="list-style-type: none"> ▪ PAF - Increased cabin insulation, windshield and side windows with acoustic and heat absorbing membrane ▪ 596 - Infrared-reflecting glass 	All Models	\$1,100
DG1	<p>AMG Line Exterior</p> <p>Standard on GLS580W4</p> <ul style="list-style-type: none"> ▪ Wheel - Choice of ▪ AMG rear apron with diffuser-look insert in black and trim strip in chrome ▪ Flared wheel arches at front and rear, painted in the vehicle color - name ▪ P31 - AMG front apron with striking, sporty air outlets in the wheel arch linings ▪ Brake system with larger brake discs at the front axle ▪ L5C - Multifunction sport steering wheel w/Airbag cover in nappa leather ▪ AMG brushed stainless steel sports pedals with black rubber studs ▪ AMG side skirts painted in the vehicle color ▪ AMG Floor Mats 	GLS450W4	\$3,250
DC1	<p>Night Package</p> <ul style="list-style-type: none"> ▪ Radiator grille with 4 slats in dark chrome ▪ Matte black elements: roof rails ▪ OPT - Wheel Choice of: <ul style="list-style-type: none"> ○ RPB - 22" AMG Multispoke Wheels w/ Black Accents (+ \$1,250) ○ RWH - 21" AMG 5-Spoke Wheels w/ Black Accents ○ RPK - 23" AMG Twin 5-Spoke Wheels - Black (+ \$3,150) ▪ P55 - High-gloss black elements: front apron trim strip, simulated underguard, rear apron trim strip, side mirrors, window line trim strip, beltline trim strip 	All Models	\$400
DC7	<p>E-ACTIVE BODY CONTROL Package</p> <ul style="list-style-type: none"> ▪ 481 - Underguard ▪ 490 - E-ACTIVE BODY CONTROL 	GLS580W4	\$6,500
DB6	<p>Executive Rear Seat Package Plus</p> <p>Only in combination w/ 7 Seater Configuration (226)</p> <ul style="list-style-type: none"> ▪ 406 - Multicontour Seats in Rear w/ massage functions ▪ P11 - Executive Rear Seat Package ▪ 402 - Heated and Ventilated Seats in the Rear 	GLS580W4	\$3,750



Options

Factory Options

<i>Code</i>	<i>Options</i>	<i>Availability</i>	<i>MSRP</i>
224	Captain Chairs for second row (6 seat configuration)	All Models	\$0
226	7 Seat Configuration	All Models	\$0
293	Rear Side Airbags	All Models	\$700
297	Electric Rear Side-Window Sunshades	All Models	\$580
443	Steering Wheel Heating Standard on GLS580W4. Now available with all steering wheel options	GLS450W4	\$250
550	Trailer Hitch Includes Increased Towing Capacity (557); Please note: no accessory retrofit available	All Models	\$600
553	Trailer Manoeuvring Assist Requires Trailer Hitch (550)	All Models	\$350
582	5-Zone Climate Control Standard on GLS 580. Adds additional air vents in headliner	GLS450W4	\$400
735	Exclusive Wood Trim Package Adds wood trim on back of front seats with additional ambient lighting	All Models	\$450
846	Illuminated Running Boards Standard on GLS 580. Please note: no accessory retrofit available	GLS450W4	\$650
874	MAGIC VISION CONTROL incl. Heated Windscreen Washer System	All Models	\$350
883	Soft Close Doors Standard on GLS 580	GLS450W4	\$550
L2D	Wood/Leather Multifunction Steering Wheel Requires MANUFAKTUR Piano Lacquer Flowing Lines (H11) & Steering Wheel Heating (443)	All Models	\$600
U09	Lower Dashboard & Door Beltlines in MB-Tex	All Models	\$350
U38	Dashboard & Door Beltlines in Nappa Leather Only with Black Exclusive Nappa leather upholstery (951)	All Models	\$1,050
21U	Dashcam	All Models	\$200
811	Burmester® High-End 3D Surround Sound System Requires 5-Zone Climate Control (582). TIREFIT replaces spare tire. If ordered with Pinnacle Trim (DX2), removes MBUX Interior Assistant (77B).	All Models	\$4,550



VPC Installed Options

<i>Code</i>	<i>Options</i>	<i>Availability</i>	<i>MSRP</i>
D07	Wheel Locking Bolts	All Models	\$160
D08	Chrome Door Handle Inserts	All Models	\$100
D11	Roof Spoiler	All Models	\$685
D26	Load Sill Guard	All Models	\$175
D43	All-Season Front/Rear Floor Mats	All Models	\$170
D49	First Aid Kit	All Models	\$35



Specifications

GLS450W4



Drivetrain

Transmission	9G-TRONIC 9-Speed Automatic Transmission
Drive Configuration	All-wheel drive
Transmission Speeds	9

Engine

Engine Configuration	3.0L Inline-6 Turbo Engine with 48V Mild-Hybrid System
Power (hp)	375 hp
Torque (lb-ft)	369 lb-ft
Compression Ratio	10.0:1
Fuel Tank Size (gallons)	23.8
Fuel Requirement (Octane)	91
Electric Motor (hp), System Output (hp)	20
Electric Motor (lb-ft), System Torque (lb-ft)	148
Displacement (cc)	2,999

Performance

Acceleration	0-60mph 5.8 sec
Top Speed (mph)	130

Fuel Economy

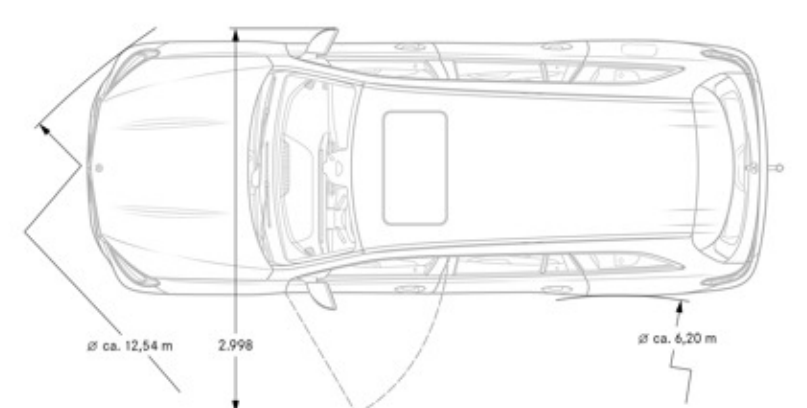
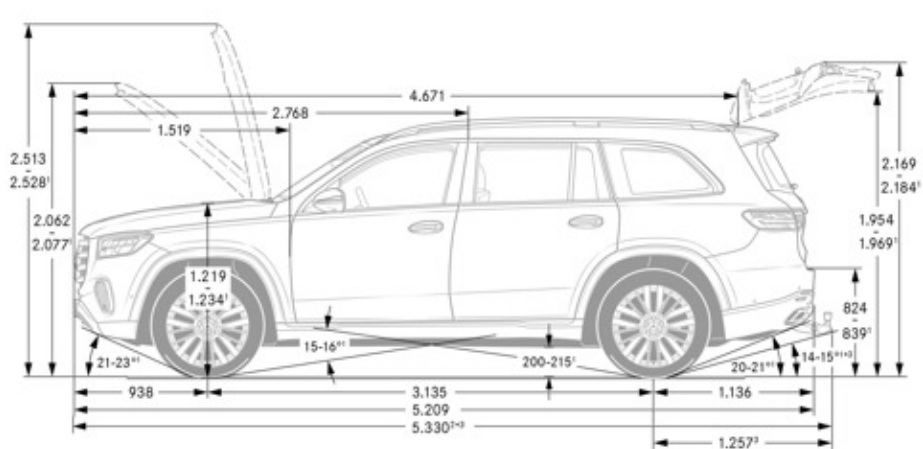
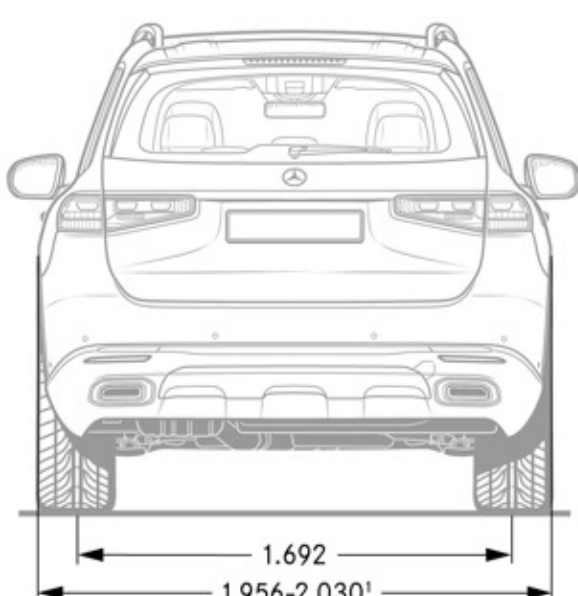
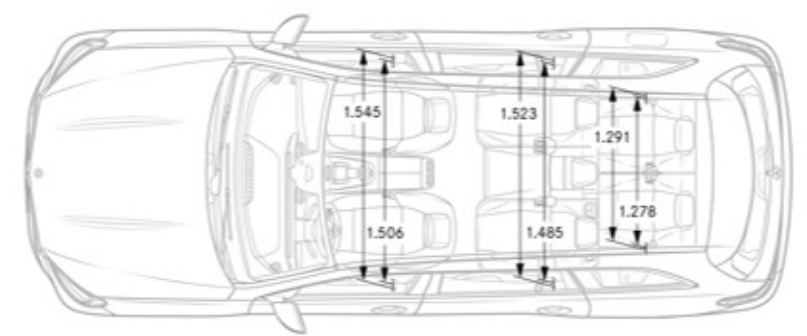
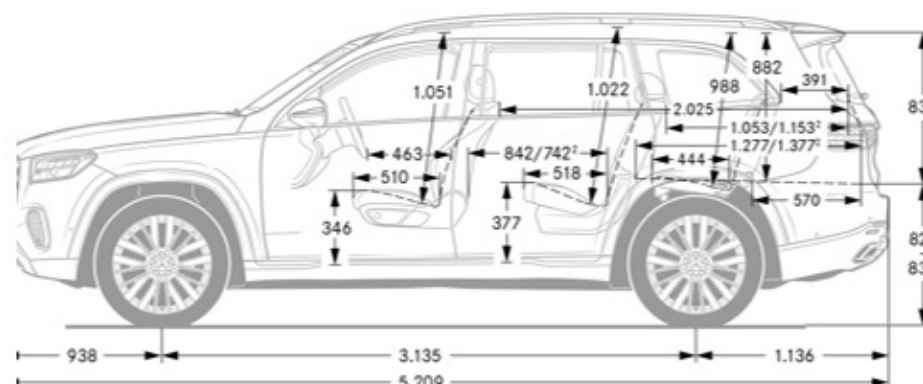
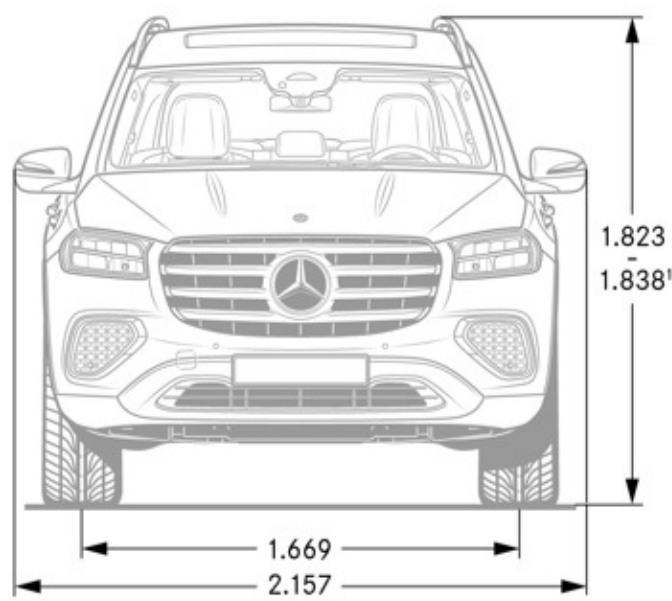
Fuel Economy	19 mpg (City) / 24 mpg (Hwy) / 21 mpg (Combined)
--------------	--

Exterior Dimensions

Vehicle Length (in.)	205
Vehicle Height (in.)	71.8
Vehicle Width w/ Exterior Mirrors (in.)	84.9
Wheelbase (in.)	123.4
Coefficient of Drag	N/A
Curb Weight (lbs)	5,489
Maximum Load (lbs)	TBD
Track Width Front/Rear	65.7/66.6
Towing Capacity (lbs)	7,700

Interior Dimensions

Passenger Capacity	6/7
Headroom (front)	39.4 in.
Legroom (front)	40.3 in.
Shoulder Room (front)	59.3 in.
Headroom (rear)	40.2 in.
Legroom (Rear)	41.9 in.
Shoulder Room (Rear)	58.5 in.
Cargo Capacity	Capacity behind 3rd row: 17.4 cu ft. Capacity behind second row (3rd row folded down): 42.7 cu ft. Capacity behind first row (2nd and 3rd row folded down): 84.7 cu ft.





Drivetrain

Transmission	9G-TRONIC 9-Speed Automatic Transmission
Drive Configuration	All-wheel drive
Transmission Speeds	9

Engine

Engine Configuration	4.0L V8 Bi-Turbo Engine with 48V Mild-Hybrid System
Power (hp)	510 hp
Torque (lb-ft)	538 lb-ft
Compression Ratio	10.5:1
Construction	N/A
Fuel Requirement (Octane)	91
Fuel Tank Size (gallons)	23.8
Electric Motor (hp), System Output (hp)	21
Electric Motor (lb-ft), System Torque (lb-ft)	184
Displacement (cc)	3,982

Performance

Acceleration	0-60 mph 4.7 sec
Top Speed (mph)	130

Fuel Economy

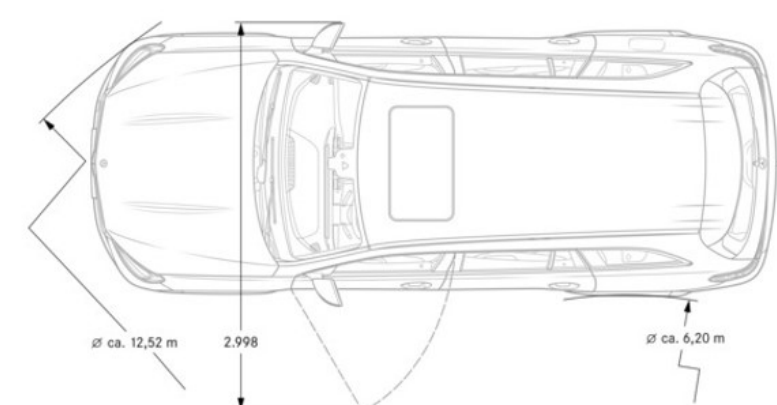
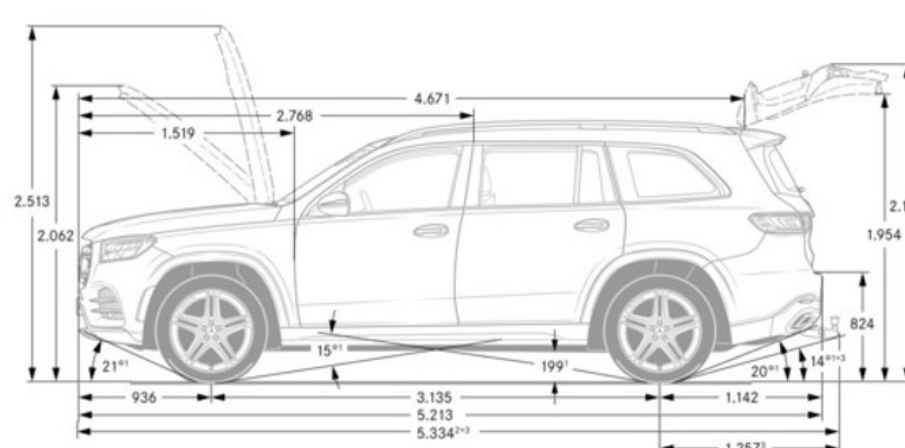
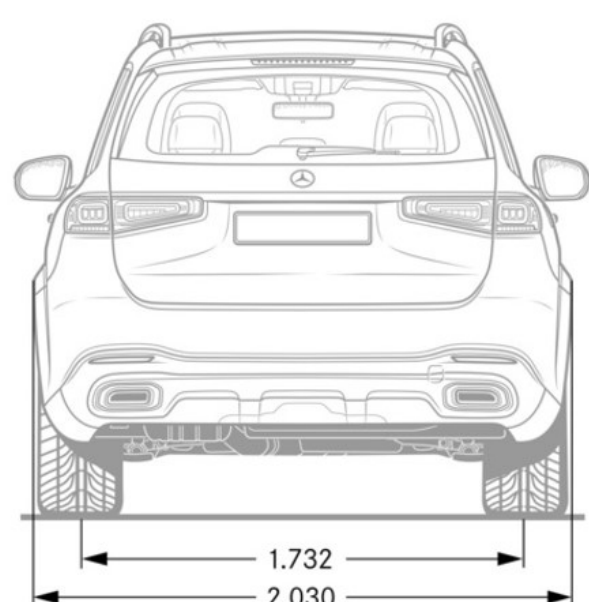
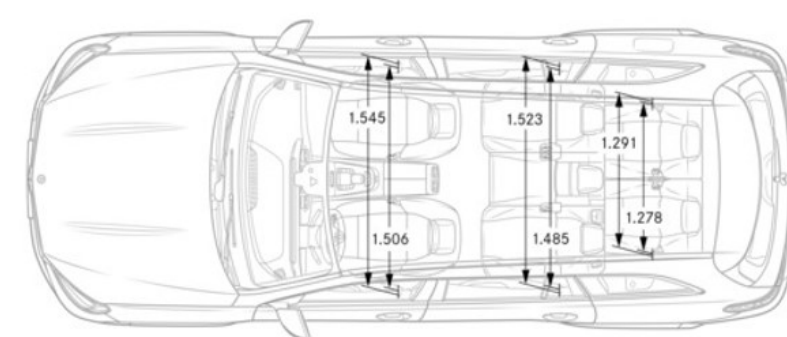
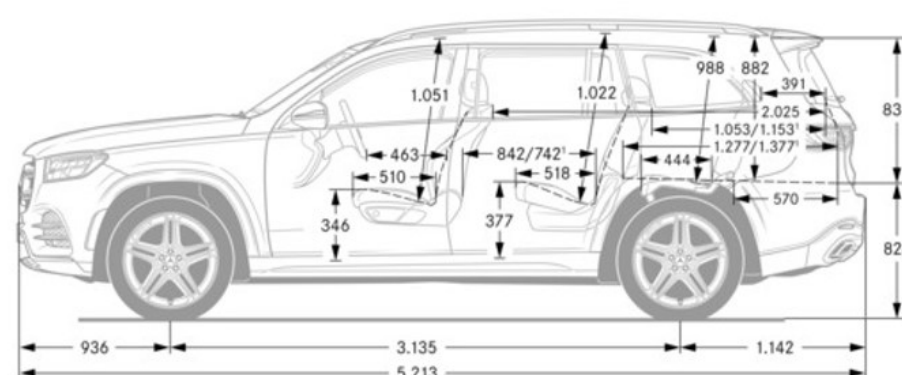
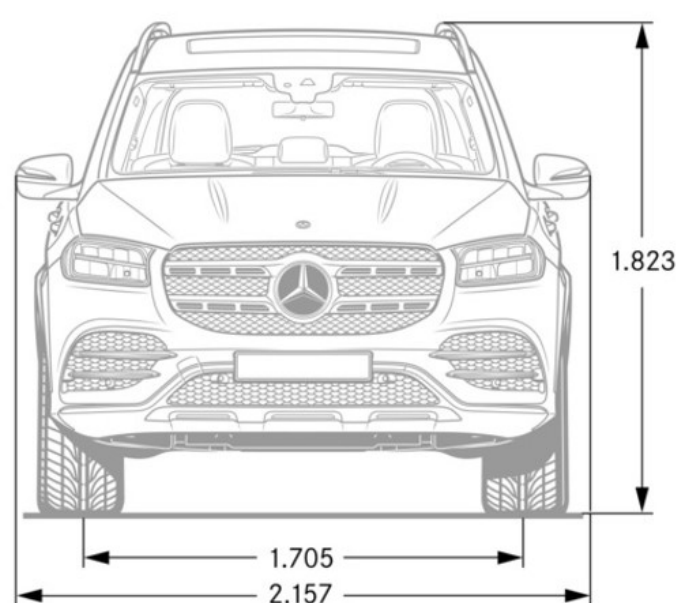
Fuel Economy	TBD
---------------------	-----

Exterior Dimensions

Vehicle Length (in.)	205.2
Vehicle Height (in.)	71.8
Vehicle Width w/ Exterior Mirrors (in.)	84.9
Wheelbase (in.)	123.4
Coefficient of Drag	N/A
Curb Weight (lbs)	TBD
Track Width Front/Rear	67.1/68.2
Towing Capacity	7700

Interior Dimensions

Passenger Capacity	6/7
Headroom (front)	39,4 in.
Legroom (front)	40.3 in.
Shoulder Room (front)	59.3 in.
Headroom (rear)	40.2 in.
Legroom (Rear)	41.9 in.
Shoulder Room (Rear)	58.5 in.
Cargo Capacity	Capacity behind 3rd row: 17.4 cu ft. Capacity behind second row (3rd row folded down): 42.7 cu ft. Capacity behind first row (2nd and 3rd row folded down): 84.7 cu ft.



Standard Exterior vs. AMG Line Exterior (DG1)



Standard Exterior



AMG Line Exterior (DG1)

AMG Line (DG1) vs. AMG Line w/ Night Package (DC1)

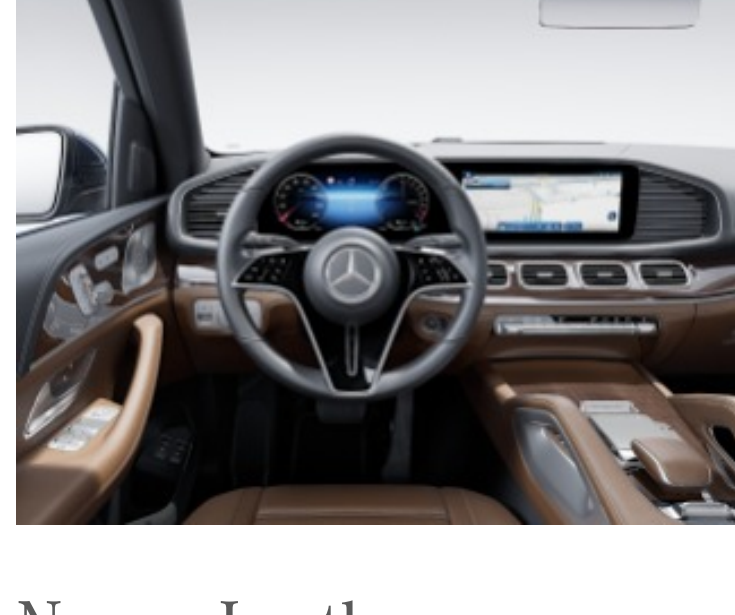


AMG Line Exterior (DG1)



AMG Line w/ Night Package (DC1)

Steering Wheel Options



Nappa Leather Multifunction Steering Wheel (L2B)

Standard

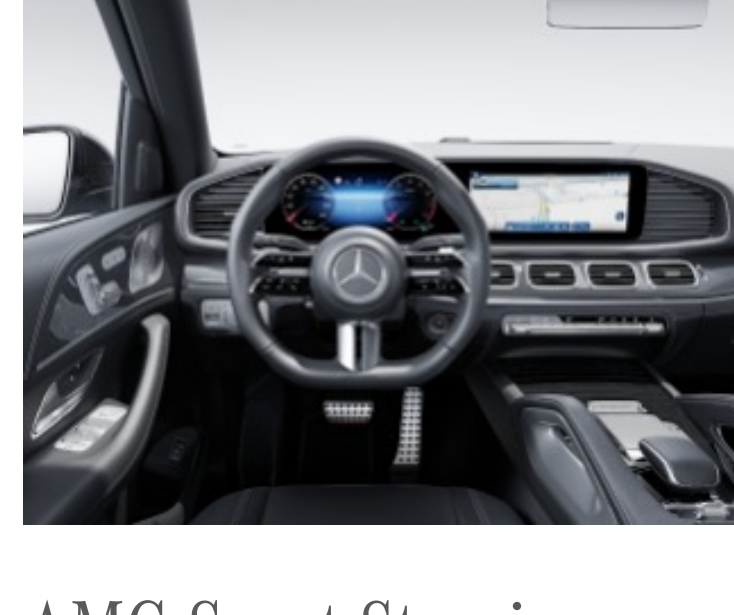
- 3-spoke steering wheel in nappa leather
- Spokes in high-gloss black with silver chrome surround
- Steering wheel paddle shifters in silver chrome
- Operation via Touch Control panels



Wood/Leather Steering Wheel (L2D)

Option Price: \$600
Requires MANUFAKTUR Piano Lacquer Flowing Lines Trim (H11) and Heated Steering Wheel (443)

- 3-spoke steering wheel in Wood/leather finish
- Spokes in high-gloss black with silver chrome surround
- Steering wheel paddle shifters in silver chrome
- Operation via Touch Control panels



AMG Sport Steering Wheel (L5C)

Included with AMG Line (DG1)

- Sport 3-twin-spoke steering wheel with flattened bottom
- Finished in nappa leather, heavily embossed in the grip area
- Horizontal twin spokes in high-gloss black, vertical twin spokes in silver chrome
- Shift paddles in silver chrome
- Control via touch control panels

Burmester® Surround Sound System



Burmester® Surround Sound System (810) w/ Dolby Atmos®, Music Streaming & Sound Personalization

Standard

- 13 high-performance speakers precisely configured for the vehicle interior to ensure well-balanced and very dynamic music reproduction
- 9-channel DSP amplifier with a total output of 590 watts (7 x 50 W and 2 x 120 W) for maximum sound quality with very high volume reserves
- Frontbass® technology with woofers integrated into the body-in-white
- Sound personalisation (32U)
- 2 sound presets: "Pure" as well as "Surround" to generate a virtual all-round sound, including multi-channel format support for authentic surround sound with Dolby Atmos®
- Sound optimisation for the front and rear seats
- Pre-installation for Online Music Streaming (22U)

Burmester® High-End 3D Surround Sound System

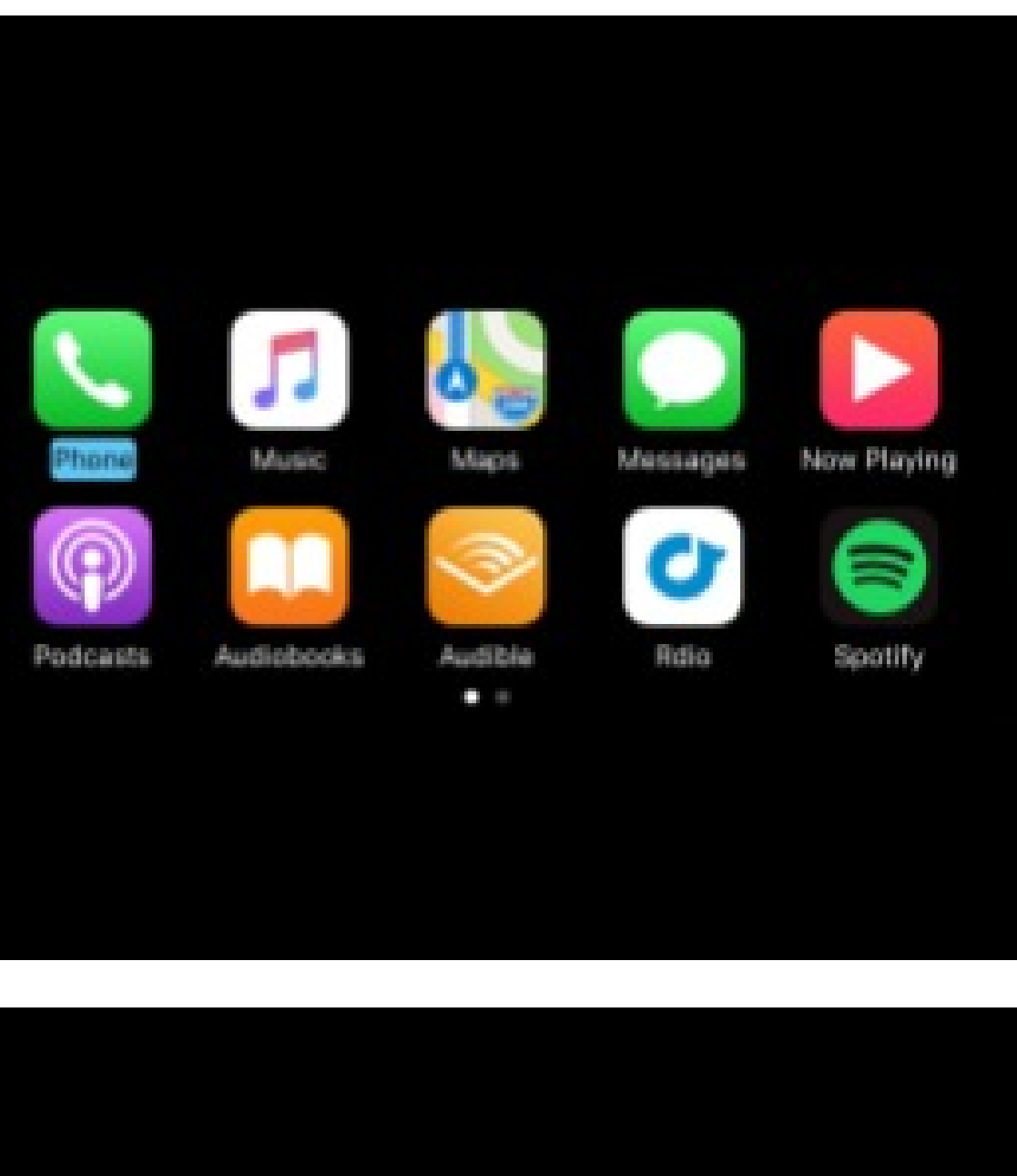


Burmester® High-End 3D Surround Sound System (811) w/ Dolby Atmos®, Music Streaming & Sound Personalization

Optional (\$4,550)

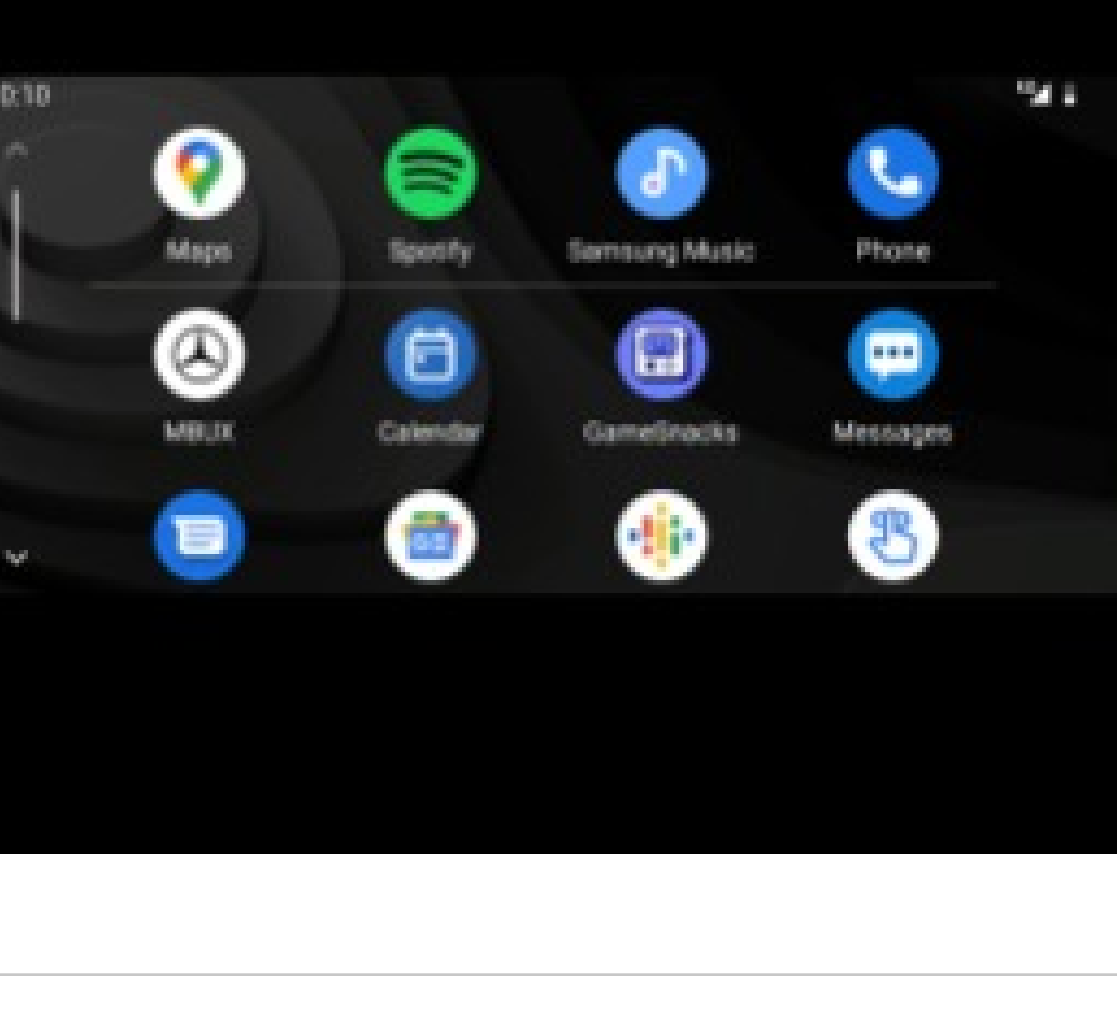
- High-end sound system with 3D surround sound effect:
 - 29 high-end speakers including subwoofer and speaker units in the headliner
 - 7 ring-radiator tweeters
 - 7 mid-range speakers
 - 4 low to mid-range speakers
 - 5 3D broadband speakers
 - 2 dual-coil Frontbass speakers
 - 1 active subwoofer in the rear with an additional 400 W amplifier
 - Mid-range, low to mid-range and Frontbass speakers with membranes made of woven glass-fibre
 - 27-channel amplifier with digital and active analog filters and an output of 1210 watts plus an additional subwoofer booster amplifier delivering 400 watts (total system output 1610 watts)
 - Separate power supply for the analog and digital sides of the amplifier
 - VIP seat function to optimise the sound for individual seats
 - Sound personalisation
 - 5 sound presets: Pure, Live, Easy Listening, Surround, 3D-Sound
 - active analog filters for multi-faceted, natural and balanced mid and high-range reproduction
 - Vehicle noise compensation (VNC) for dynamic equalising
 - Supports multichannel audio formats
 - Multi-channel format support for authentic surround sound with Dolby Atmos®
- 2-way in-car communication
- Pre-installation for Online Music Streaming (22U)

Wireless Smartphone Integration



Standard

- Smartphone Integration connects the mobile phone with the multimedia system wirelessly via Apple CarPlay™ or Android Auto™. This gives you convenient access to the most important apps on your smartphone.

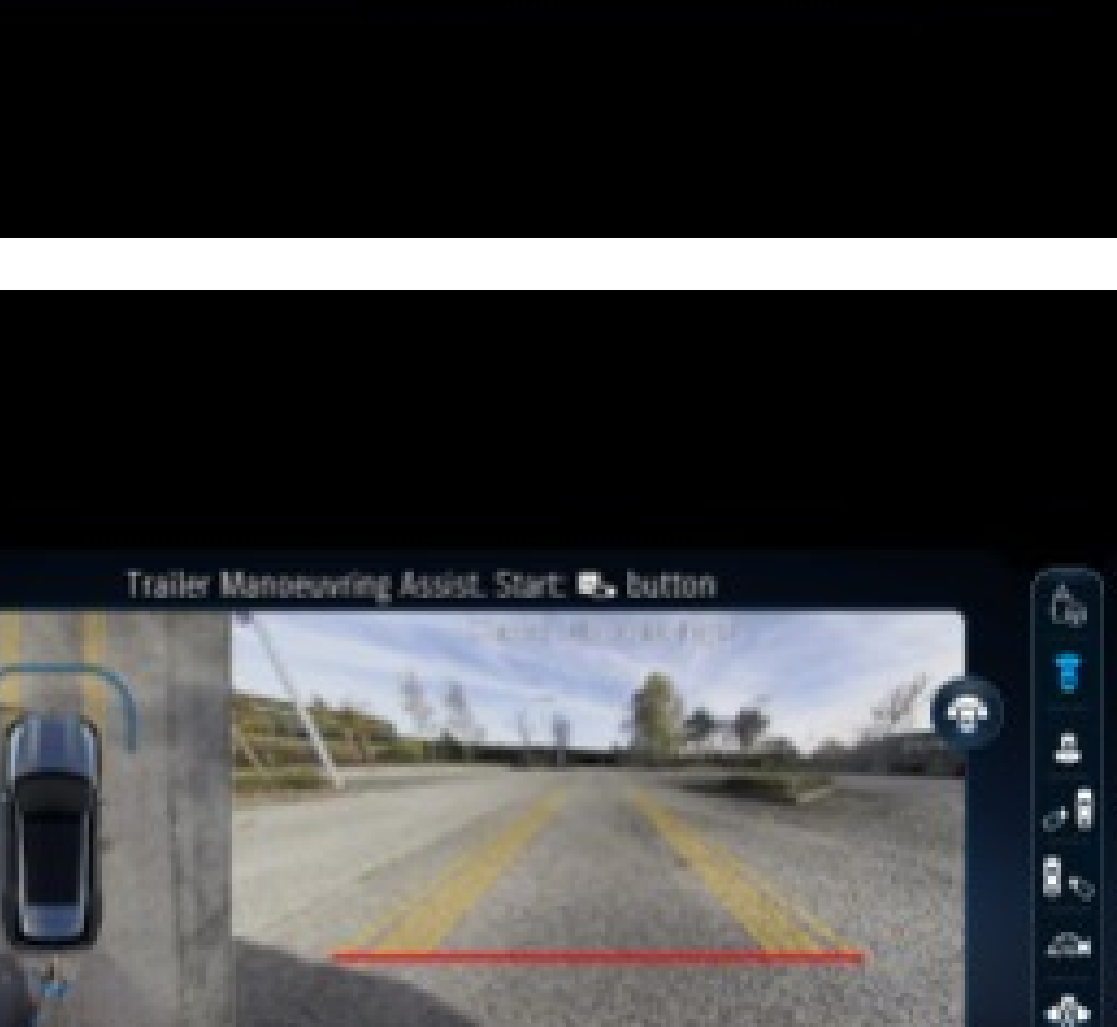


Trailer Maneuvering Assist (553)

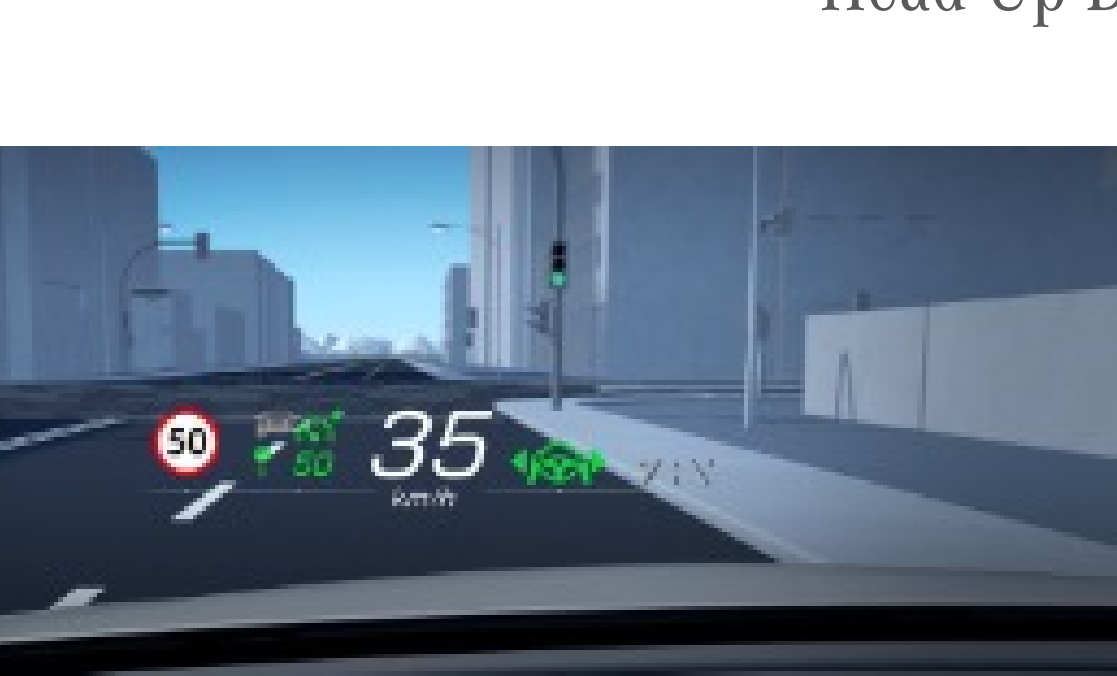


Option Price: \$350. Only with Trailer Hitch (550)

The Trailer Maneuvering Assist now works via a camera-based system and is also suitable for trailers equipped with a separate stabilization device. The optional assist system makes maneuvering with a trailer even easier, more convenient and safer. It automatically regulates the steering angle of the towing vehicle up to a speed of 3 mph and an uphill gradient of up to 15 percent. It is also integrated into MBUX and can be operated intuitively via the touchscreen. In addition to stabilizing the vehicle/trailer combination when reversing, the system can also guide the trailer around freely selectable turns of up to 90 degrees. The steering of the towing vehicle is operated automatically so that the selected angle is maintained. This allows more precise positioning of the trailer. The driver can also select a corresponding function once the trailer has reached the desired direction and needs to reverse in a straight line. The entire maneuvering process can be followed from different camera perspectives on the central display. Dynamic guide lines show the path ahead and the vehicle width. The system must be briefly trained. However, no markings on the trailer are necessary for the visual measurement of the drawbar length.



Head-Up Display (463)



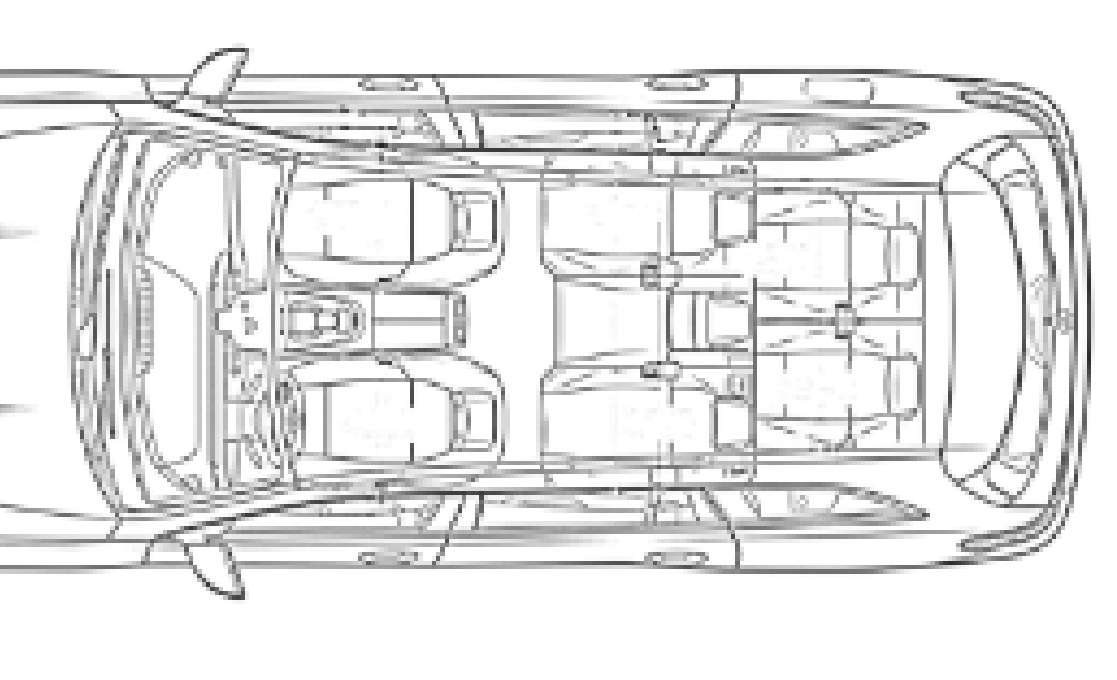
Head-Up Display (463)

Included with Pinnacle Trim (DX2)

The Head-Up Display at a glance:

- Key driver information at a glance (e.g. speed, speed limits, navigation prompts, warnings or settings for the driving assistance systems) without the driver having to take their eyes off the road
- Projection of a virtual image measuring approx. 9.45" x 3.15" into the driver's field of vision
- Presentation of information in high-resolution and in color, making it clearly legible even on sunny days and at night
- Height position of the image, brightness and displayed content can be changed individually via a menu in the instrument cluster and can be stored conveniently via the optional memory function for the driver's seat

GLS Seating Choices

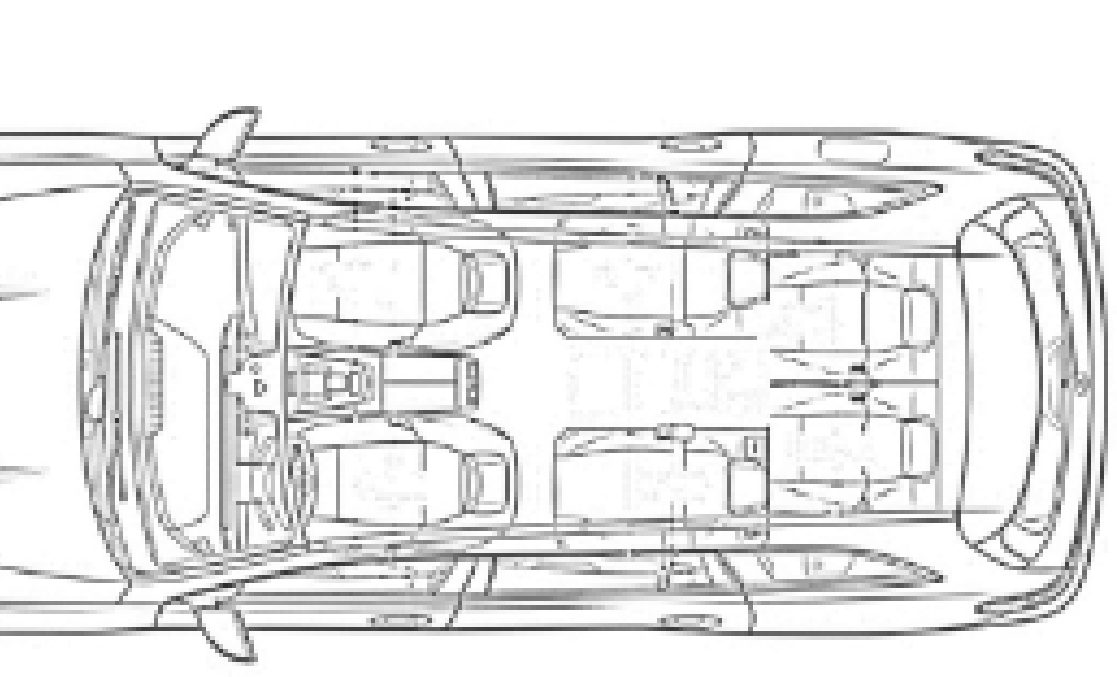


7 Seat Configuration (226)

No additional pricing

2 + 3 + 2 Seats
Fully electrical bench in 2nd row.

Required for Executive Rear Seat Package Plus



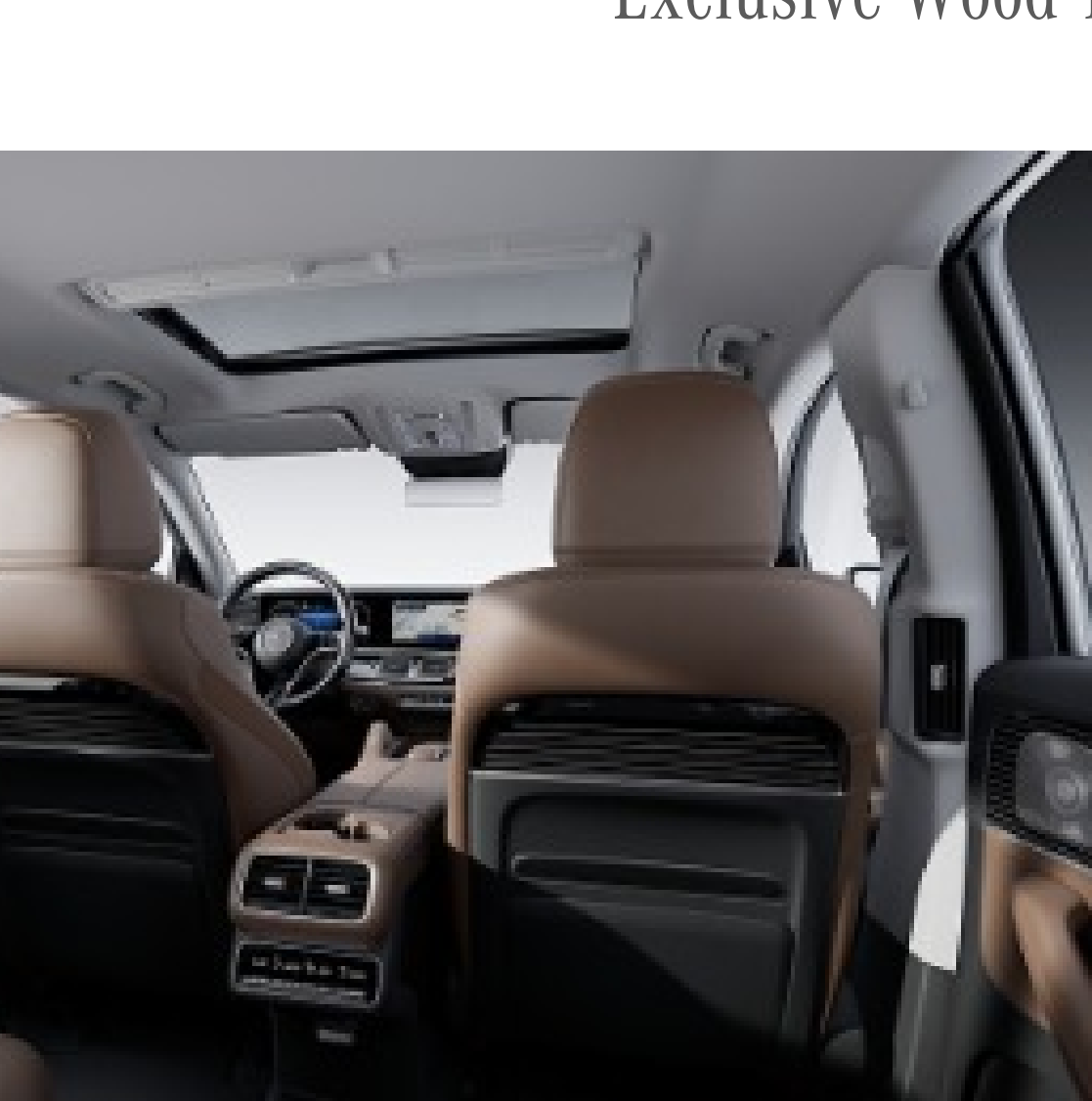
6 Seat Configuration (224)

No additional pricing

2 + 2 + 2 Seats

Individual Seats with Armrests in 2nd row

Exclusive Wood Trim Package (735)



- The Exclusive Wood Trim Package lends your interior an individual look. Additional trim elements on the back of the front seat backrests blend seamlessly into the interior, creating exciting contrasts. The rear seat passengers in particular can enjoy an enhanced sense of high-class appeal.
- Map pockets in MB-Tex

Gallery

