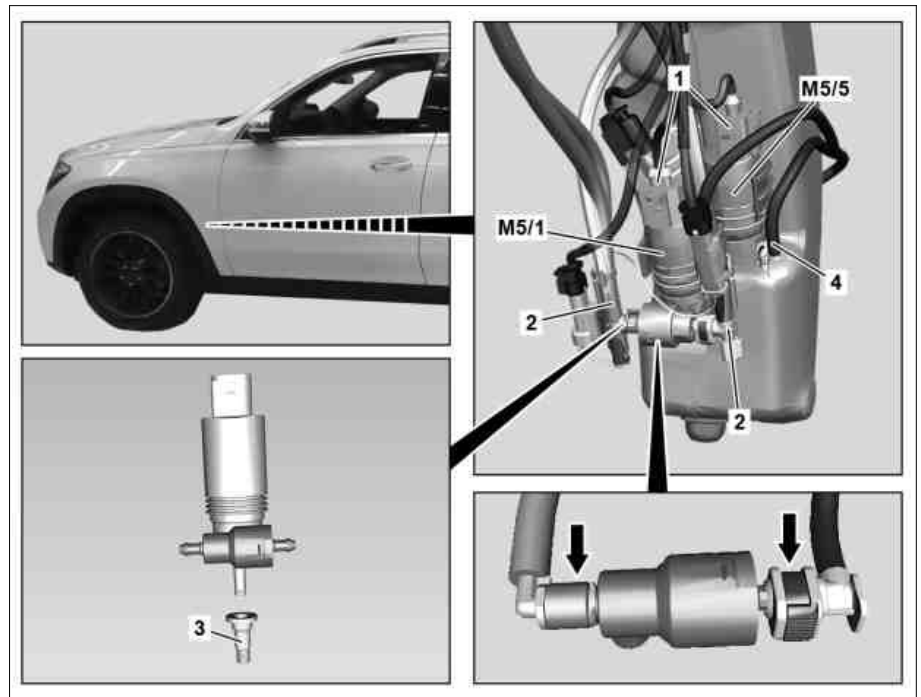


Model 167



Shown with code 874 (MAGIC VISION CONTROL, heated)

- 1 Electrical connectors
- 2 Washer fluid hose
- 3 Seal
- 4 Washer fluid hose
- M5/1 Windshield washer system pump
- M5/5 Liftgate windshield washer system pump



P82.35-A003-06

	Risk of fire and explosion caused by ignition of window washing fluid or antifreeze and their vapors. Risk of poisoning caused by swallowing window washing fluid or antifreeze or inhaling their vapors. Risk of injury or physical irritations caused by contact of window washing fluid or antifreeze with eyes, mucous membranes or skin.	Wear protective clothing and tight-fitting safety glasses. No open flames, fire or ignition sources. Avoid contact with eyes, mucous membranes and skin. When working with window washing fluids or antifreeze, do not eat, drink, or smoke. Do not inhale vapors and ensure sufficient ventilation in the working area. Store window washing fluid and antifreeze leakfree in safely closed original containers and out of the reach of children.	AS82.35-Z-0001-01A
	Information on preventing damage to electronic components due to electrostatic discharge		AH54.00-P-0001-01A
	Notes on safety-relevant components		AH00.00-Z-0019-01A
	Remove/install		
1	Switch off ignition and store transmitter key outside of transmitter range (min. 2 m).		
2	Remove left front wheel and tire assembly.		AR40.10-P-1102ME
3	Remove rear section of left front fender liner.		AR88.10-P-1301ME
4	Release and disconnect electrical connections (1).	The number of electrical connectors (1) varies depending on the vehicle equipment.	
5	Release washer fluid hoses (2) at arrows and disconnect.	Collect escaping washer fluid using suitable container.	
6	Release washer fluid hose (4) and disconnect.	Model 167 with code 874 (MAGIC VISION CONTROL, heated)	
7	Remove windshield washer system pump (M5/1).		
8	Remove liftgate window washer system pump (M5/5).	Model 167 with code 874 (MAGIC VISION CONTROL, heated)	
9	Check seal (3) of windshield washer system pump (M5/1) or liftgate window washer system pump (M5/5).	If there is a problem, ↓ Replace relevant seal (3).	
10	Install in the reverse order.		
11	Correct fluid level of windshield washer system.		
			AP82.35-P-8210E

	Check		
12	Perform function test and visual check of windshield washer system.		
 AP			AP82.35-P-8252F