

Antenna Systems (AS) - Component Locations

Model 163

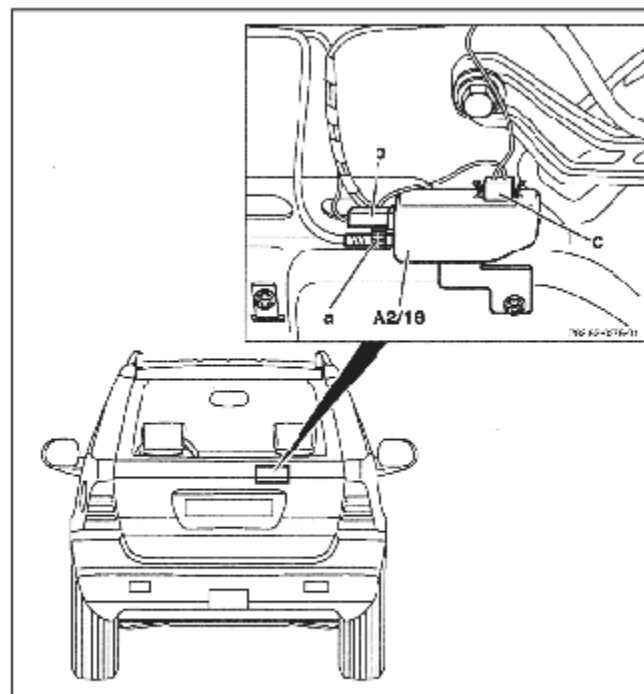


Figure 4

- a High frequency connection wire from FM/AM amplifier to radio (A2)
 - b Voltage supply from radio (A2) to FM/AM amplifier (A2/18)
 - c Signal wire from antenna
- A2/18 FM/AM amplifier

P82.62-0374-12