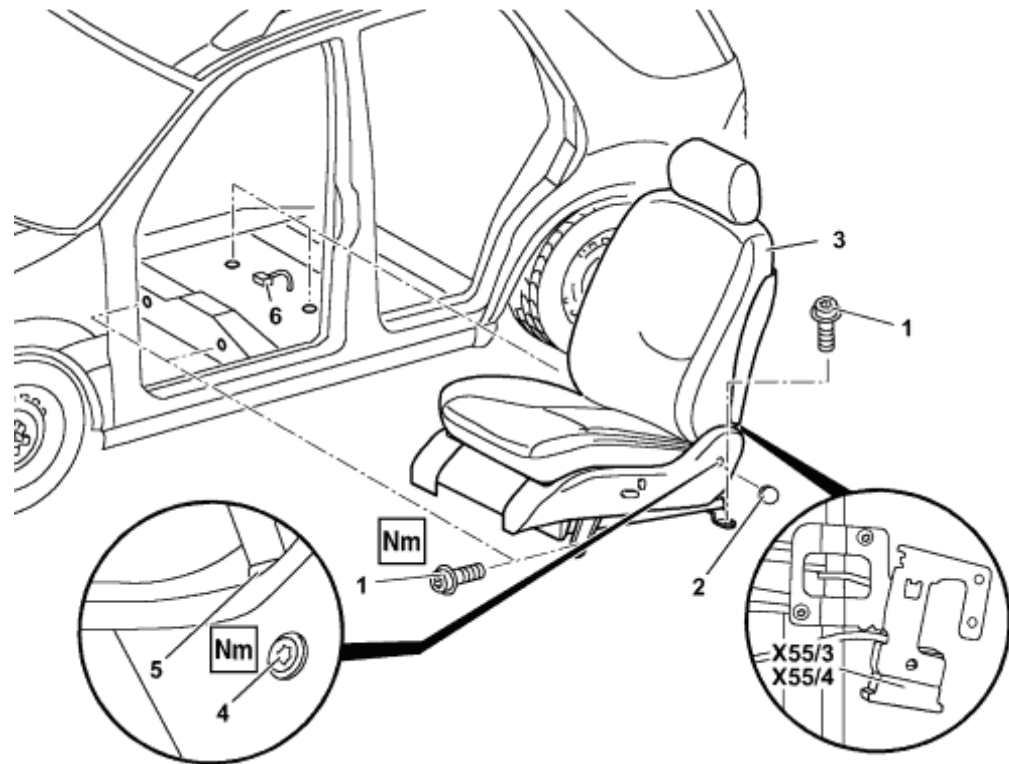


| | | |
|------------------|---------------------------|--------|
| AR91.10-P-1000GH | Remove/install front seat | 3.3.97 |
|------------------|---------------------------|--------|

MODEL 163 with CODE (221b) Electrically adjustable driver and passenger seat

- 1 Torx socket screws
- 2 Cover cap
- 3 Front seat
- 4 Torx socket bolt
- 5 Belt end fitting
- 6 Connector
- X55/3 Left front seat contacting strip
- X55/4 Right front seat connector block



P91.10-0547-06

| | Remove/install | | |
|----|--|--|------------------------------------|
| 1 | Remove headrest | See owner's manual | |
| 2 | Remove cover cap (2) from seat rail paneling | Set the seat height adjustment such that the screw on the belt end fitting is visible. | |
| 3 | Unscrew internal Torx drive bolt (4) from the belt end fitting (5) | | BA91.40-P-1001-01D |
| | | Torx bit set | 000 589 01 10 00 |
| 4 | Remove belt end fitting (5) | | |
| 5 | Unscrew internal Torx drive bolts (1) from the front seat console | Installation: Replace bolts. | |
| | | | BA91.10-P-1001-01B |
| | | Torx bit set | 000 589 01 10 00 |
| 6 | Move the front seat (3) forward | | |
| 7 | Unscrew internal Torx drive bolts (1) from the back seat console | Installation: Replace bolts. | |
| | | | BA91.10-P-1001-01B |
| | | Torx bit set | 000 589 01 10 00 |
| 8 | Detach connector (6) from the front left seat connector block (X55/3) and the front right seat connector block (X55/4) | | |
| 9 | Remove front seat (3) | | |
| 10 | Install in the reverse order | | |

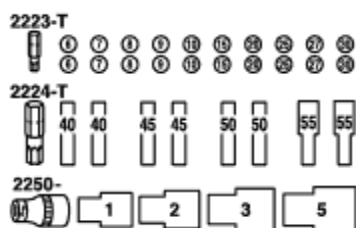
Front seats

| Number | Designation | Model Series 163 |
|--------|-------------|------------------|
|--------|-------------|------------------|

| | | | |
|--------------------|---|----|----|
| BA91.10-P-1001-01B | Bolt of seating mounting bracket to vehicle floor | Nm | 40 |
|--------------------|---|----|----|

Nm Safety belts/emergency tensioning retractors

| Number | Designation | | Model 163 up to 08/99 | Model 163 as of 09/99 |
|--------------------|------------------------|----|-----------------------|-----------------------|
| BA91.40-P-1001-01D | Belt end fitting screw | Nm | 35 | 35 |



000 589 01 10 00

Torx bit set