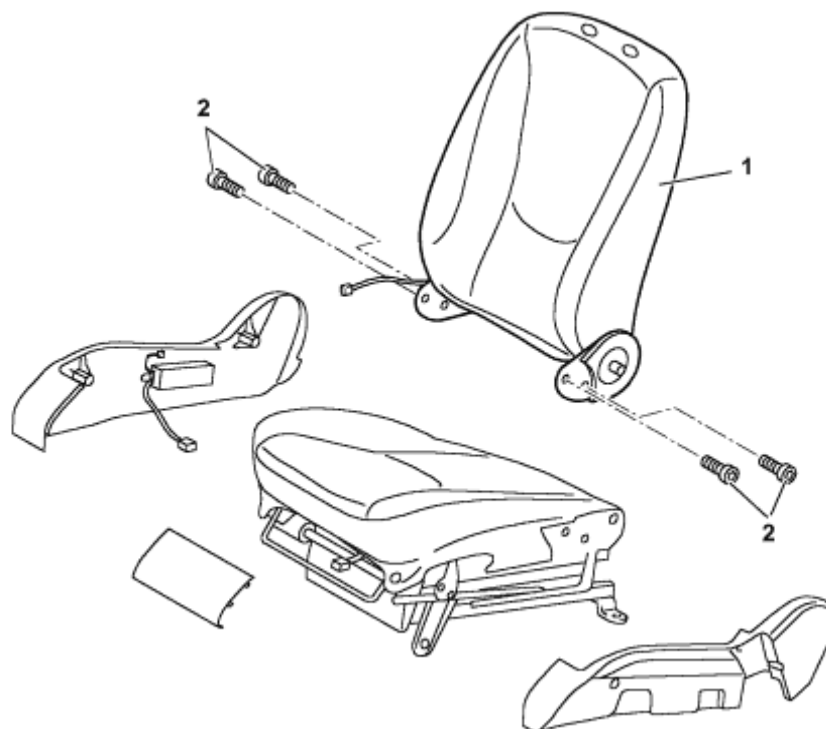


AR91.10-P-1060GH	Remove and install front seat backrest	5.3.97
------------------	--	--------

MODEL 163.154 /157 /172
 with CODE (221b) Electrically adjustable driver and passenger seat
 with CODE (241) Memory for electrically adjustable left front seat
 with CODE (242a) Memory for electrically adjustable right front seat
MODEL 163.175
 with CODE (241) Memory for electrically adjustable left front seat
 with CODE (242a) Memory for electrically adjustable right front seat
MODEL 163.174

Shown on front seat without memory switch for left electrically adjustable front seat, code 241/memory switch for right electrically adjustable front seat, code 242a

- 1 Front seat backrest
- 2 Screws

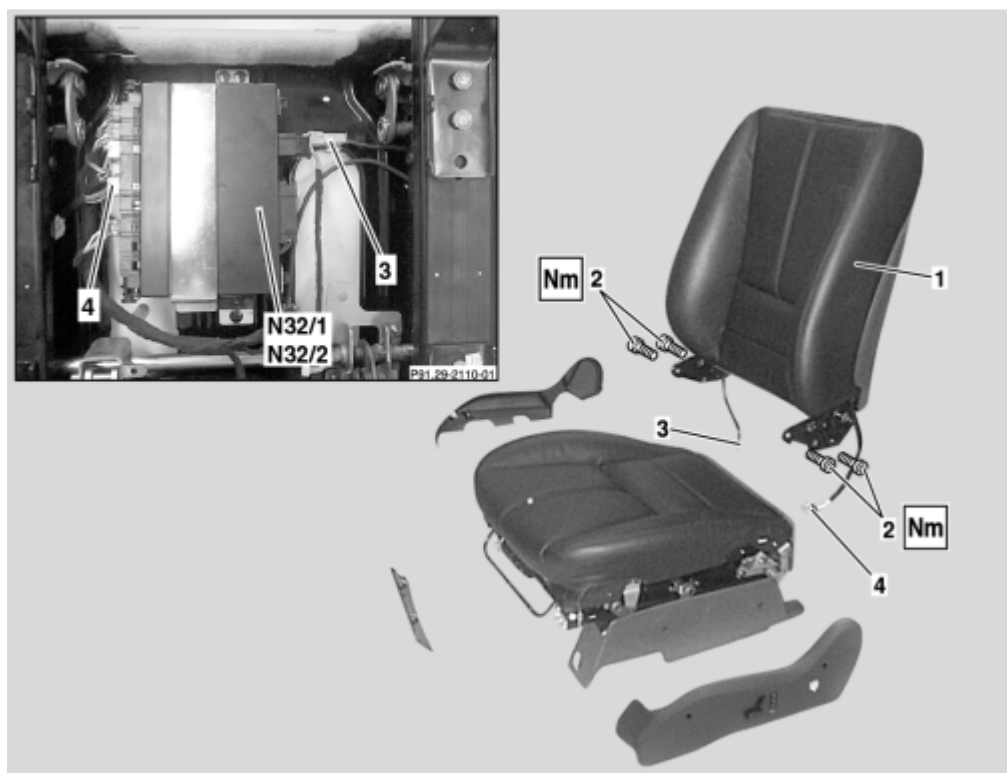


P91.10-0550-06

Shown on front seat with memory switch for left electrically adjustable front seat, code 241/memory switch for right electrically adjustable front seat, code 242a


- 1 Front seat backrest
- 2 Screws
- 3 Heated seats connector
- 4 Connector for front seat backrest incline motor

N32/1 Left front seat adjustment control module with memory
 N32/2 Right front seat adjustment control module with memory



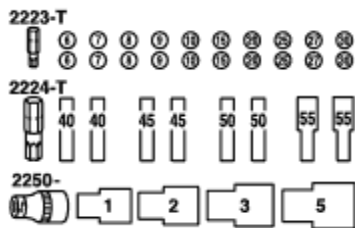
P91.10-2149-06

	Remove/install		
1	Remove front seat		AR91.10-P-1000GH
2	Remove paneling on front seat frame		AR91.10-P-1200GH
3.1	Disconnect heated seats connector (3)		

	and connector for front seat backrest incline motor (4) from left front seat adjustment control module with memory (N32/1) or right front seat adjustment control module with memory (N32/2)	<p>i Only for memory switch for left electrically adjustable front seat, code 241 or memory switch for right electrically adjustable front seat, code 242a.</p> <p>i Installation: Ensure that the electrical lines are routed properly!</p>	
4	Unscrew screws (2) from backrest fittings	Nm	BA91.10-P-1003-01B
		 Torx bit set	000 589 01 10 00
5	Remove front seat backrest (1)		
6	Install in the reverse order		

Nm Front seats

Number	Designation		Model Series 163
BA91.10-P-1003-01B	Bolt, front seat backrest to seat frame	Nm	30 (±3)



000 589 01 10 00

Torx bit set