

GF47.30-P-3101-01GH

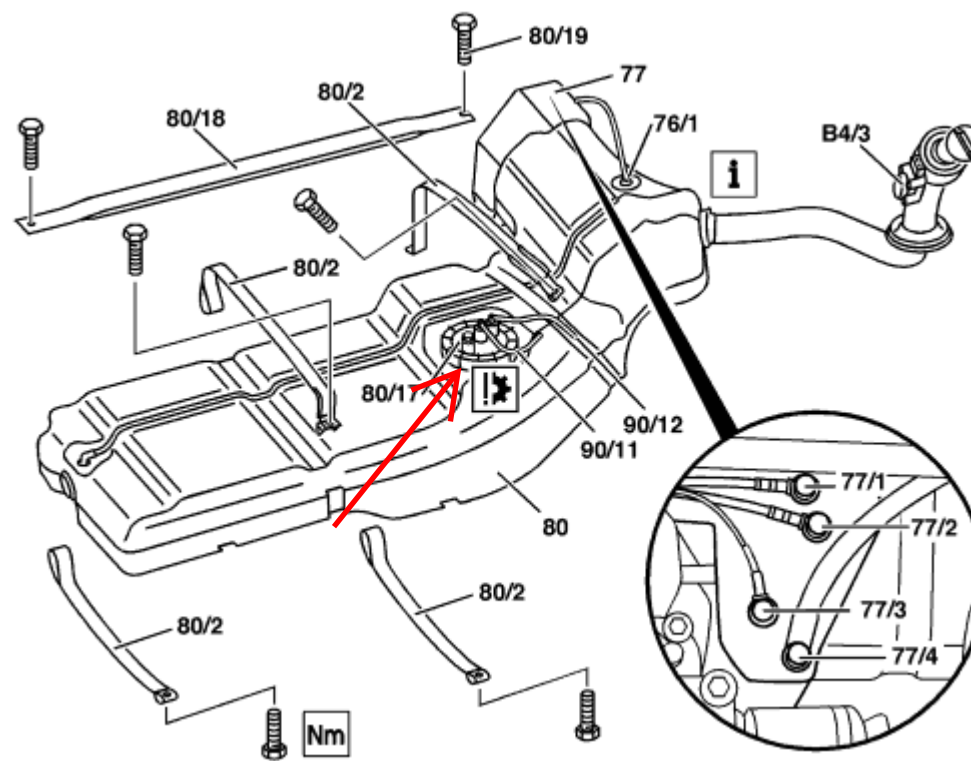
Vent valve position

Model 163

GF

Vent line with valve (76/1) at top of fuel tank

- 76/1 Vent valve with line
- 77 Activated charcoal canister with connections
- 77/1 Fuel tank air release
- 77/2 Purge system connection
- 77/3 Air admission line for diaphragm pressure regulator
- 77/4 Air admission or to activated charcoal canister shutoff valve (USA)
- 80 Fuel tank
- 80/2 Tensioning straps
- 80/17 Fuel delivery module
- 80/18 Longitudinal brace for tensioning straps
- 80/19 Securing bolt
- 90/11 Fuel return line
- 90/12 Fuel pressure line
- B4/3 Fuel tank pressure sensor (USA)



P47.10-0379-06