

AR82.10-P-4730GH

Remove/install headlamp unit

13.1.97

## MODEL 163

1 Cover

2 Bolt

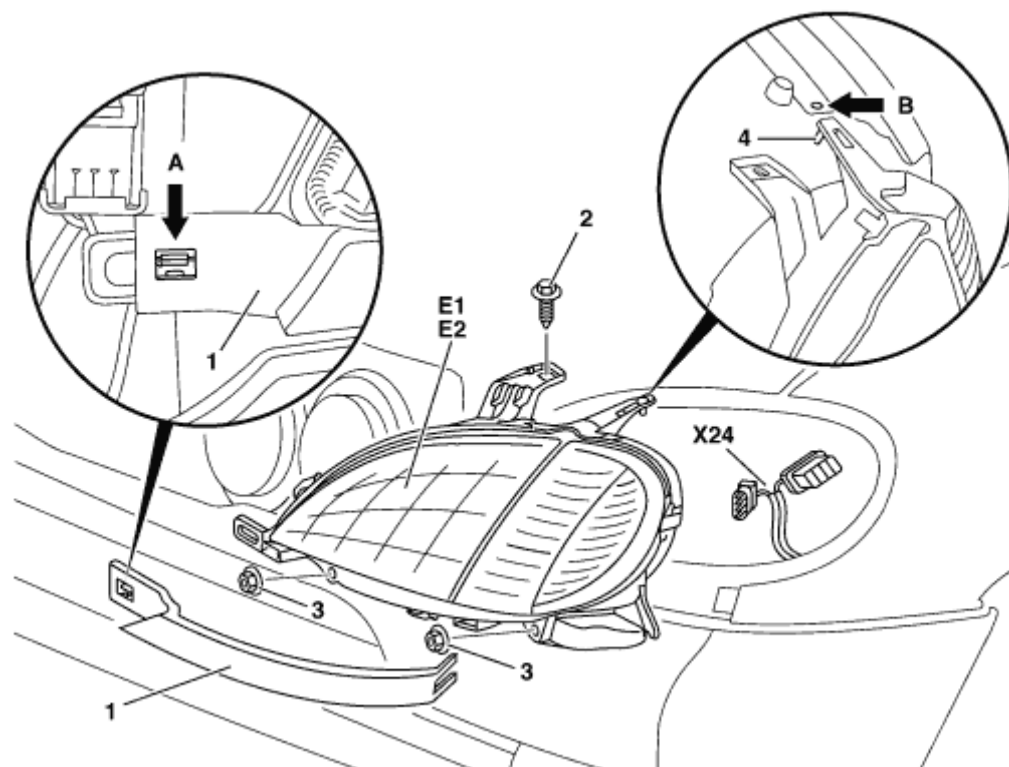
3 Nuts

4 Drift

E1 Left front headlamp unit


E2 Right front headlamp unit

X24 Headlamp wiring harness connector



P82.10-0738-06

☒ ☒	Remove/Install		
1	Open engine hood		
2	Unlock cover (1) at the clip (arrow A) under the lamp unit and unhook	<b>i</b> <b>Installation:</b> Lock clip again.	
3	Unscrew screw (2)		

4	Unscrew nuts (3).	<b>i</b> <b>Installation:</b> Align the lamp unit so that the distance of the cover to the bumper is even.	
5	Unhook left front headlamp unit (E1) or right front headlamp unit (E2) from the hole (arrow B) using drift (4) and pull forwards		
6	Disconnect headlamp harness connector (X24)		
7	Remove headlamp unit toward front		
8	Install in the reverse order		
9	Perform function check		
10	Check and correct headlamp adjustment		
 AP	Check and correct headlamp adjustment		<a href="#">AP82.10-P-8260GH</a>