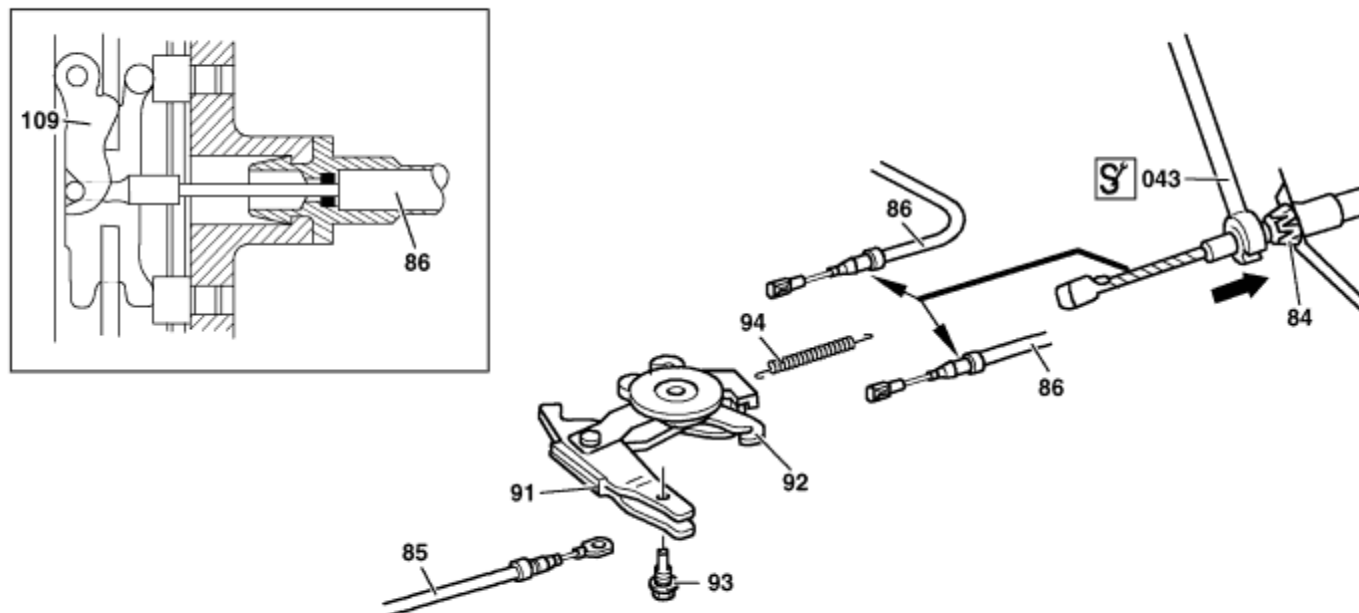


AR42.20-P-0525GH

Removing and installing rear brake control cable


3.2.97

MODEL 163



P42.20-0292-09

☒ ☒	Removing, installing		
1	Remove and install parking brake brake shoes.		AR42.20-P-0530GH
2	Unhook brake cables (86) from compensating lever (92).		

3	Unhook brake cables (86) from frame floor.	 Use unclipping device (043).	129 589 11 63 00
4	Remove brake cable (86) from wheel carrier.		AR42.20-P-0525-03GH
5	Install in reverse order.		



129 589 11 63 00

Unclipping device