

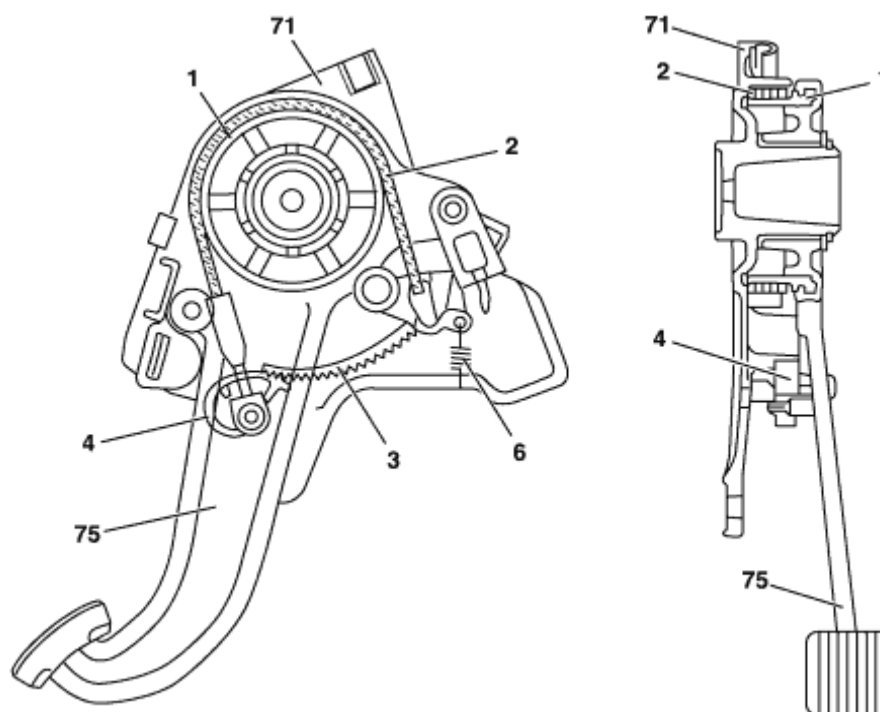
GF42.20-P-1000A

Friction brake pedal system/parking brake, function

6.2.95

MODEL 163

- 1 Brake drum
- 2 Flat spiral spring
- 3 Gearing
- 4 Rattle
- 6 Spring
- 71 Foot controls
- 75 Brake pedal



P42.20-0229-06

Task	Hold the parking brake pedal (75) in the compressed position and reduce the lost motion
Function	<p>A brake drum (1) is cast into the brake pedal (75). A pre-compressed flat spiral spring (2) is wound around this drum (1).</p> <p>The flat spiral spring is pre-compressed by a spring (6).</p> <p>If the brake pedal (75) is pressed, the force of friction of the flat spiral spring (2) continuously holds the brake pedal.</p> <p>The familiar sound of the parking brake is created by gearing and a rattle (4).</p>