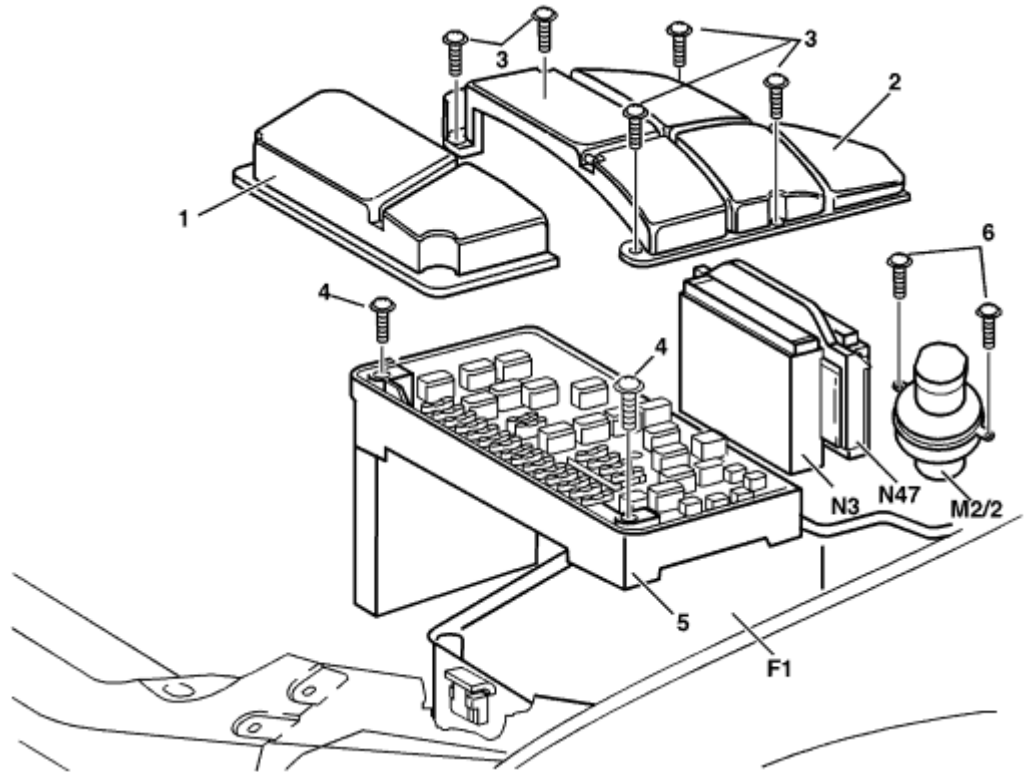


AR54.15-P-1255GH	Remove/install fuse and relay box	22.1.97
------------------	-----------------------------------	---------

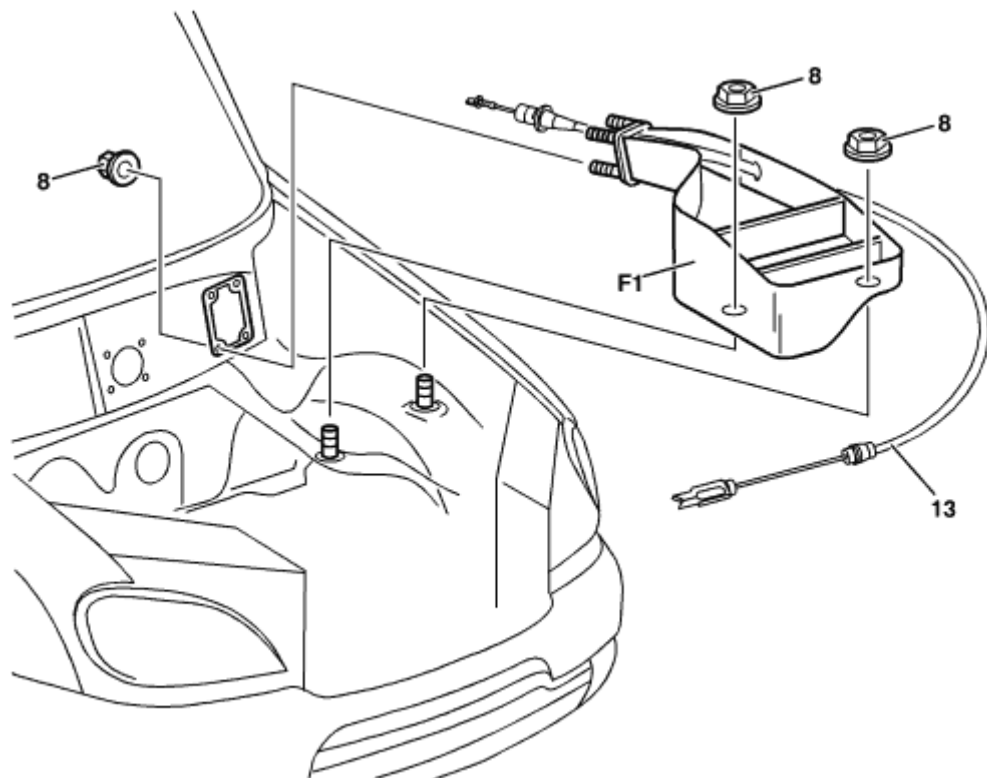
**MODEL 163**

- 1 Cover for fuses
- 2 Cover for control unit section
- 3 Bolts
- 4 Bolts
- 5 Fuse and relay holder
- 6 Bolts
- F1 Fuse and relay module
- M2/2 Module box blower motor
- N47 Traction systems control unit



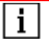



P54.15-0395-06

- 8 Nuts
- 13 Hood release control cable
- F1 Fuse and relay module



P54.15-0437-06

	Remove/Install		
1	Open engine hood and raise to vertical position	Models 163.154 /172 up to VIN A145272, X708318	<a href="#">AR88.40-P-1000GH</a>
		Models 163.154 /172 as of VIN A145273, X708319, 163.157 /174 /175	<a href="#">AR88.40-P-1000GI</a>
2	Disconnect battery ground cable	 Insulate the cable lug of the ground line to protect against unwanted contact.	<a href="#">AR54.10-P-0003A</a>
3	Remove cover for fuses (1)	 <b>Installation:</b> Check gasket for	

		damage	
4	Unscrew screws (3) and remove cover for control unit section (2)	<b>i</b> <b>Installation:</b> Check gasket for damage	
5	Unscrew screws (4) and remove fuse and relay holder (5) upwards		
6	Mark and disconnect electrical connectors to fuse and relay holder.	<b>i</b> Connectors are fitted with mis-plug protection to prevent mix-ups.	
 GF	Assignment and cable connections of fuse blocks		<a href="#">GF54.15-P-1255GH</a>
7	Detach electrical screwed connections to fuse and relay holder and remove fuse and relay holder		
8	Remove injection system control unit	Model 163.154/157/172/174/175	<a href="#">AR54.21-P-1000GH</a>
9	Remove traction systems control unit	Models 163.154 /172 /174 up to VIN A221505 Models 163.154 /172 up to VIN X734087 with Electronic-Stability-Program (ESP), code 472a	<a href="#">AR54.21-P-0816GH</a>
		Models 163.175 as of VIN A221506 up to 371934 Models 163.154 /172 /174 as of VIN A221506 Models 163.154 /172 as of VIN X734088 with Electronic-Stability-Program (ESP), code 472a	<a href="#">AR54.21-P-0816GI</a>
10	Remove screws (6)		
11	Separate electrical coupling to blower motor module box (M2/2)		
12	Pull the wiring looms without separation point out of the engine or major assemblies compartment with cable duct out of the fuse and relay module (F1) and route the wirings looms back into the engine compartment		
13	Remove cover below instrument panel		<a href="#">AR68.10-P-1500GH</a>
14	Unhook cable of hood release (13) from the operating lever and lead cable outwards through the fuse and relay module		
15	Unscrew nuts (8)		
16	Separate electrical connectors and connections in the left footwell	<b>i</b> This work comprises all the lines and wiring harness which lead through the fuse and relay module and do not have any separation point within the fuse and relay module.	
17	Pull back wiring harnesses to the fuse and relay module		
18	Unhook hoses for the windshield washer system from the brackets on the fuse and relay module		
19	Remove windshield washer system reservoir		
20	Remove fuse and relay module		
21	Install in the reverse order		