

AR07.07-P-1454A	Remove/install hot film mass air flow sensor together with air intake pipe	1.10.96
-----------------	--	---------

ENGINE 112.942 in MODEL 163.154
ENGINE 112.970 in MODEL 163.157

Shown on Engine 112

1/2 Right crankcase vent line
2 Air cleaner
2/1 Resonance housing
2/2 Air intake tube
2/3 Bolt
B2/5 Hot film mass air flow sensor

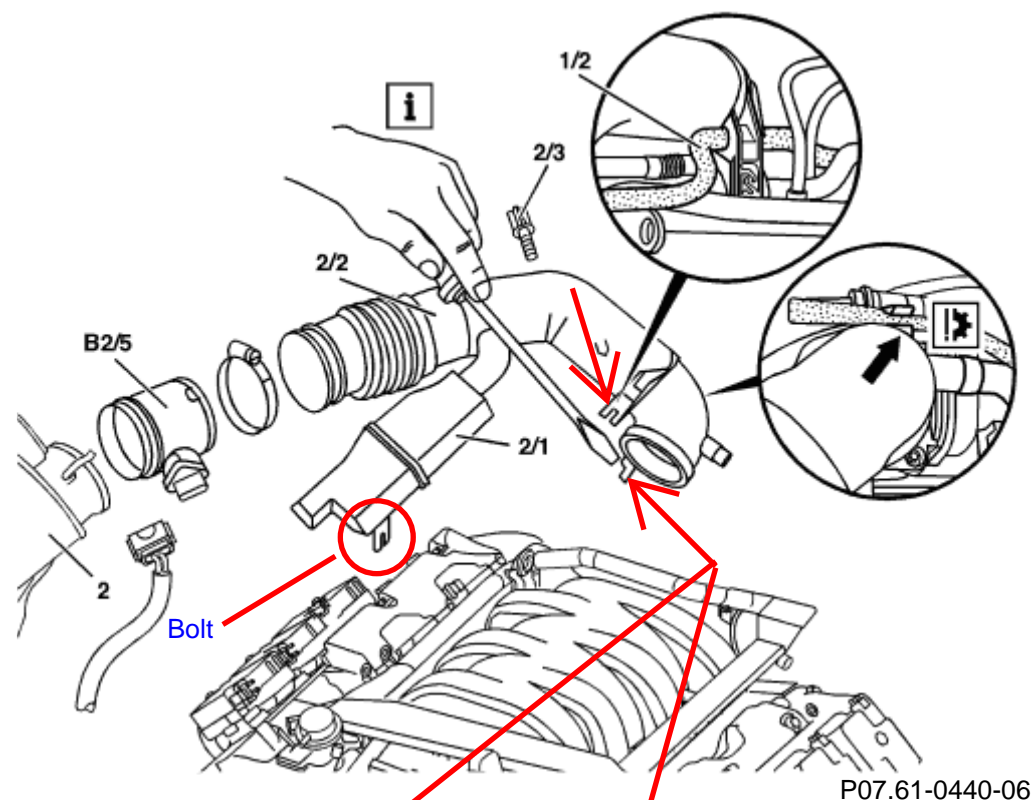


Fig. item, etc.	Work instructions		
	Cable actuator of electronic accelerator	Removal: Before the air intake tube (2/2) is removed, detach cable (arrow)	
	Lock of air intake tube to actuator electronic accelerator	Removal: Press plate to bottom by means of screwdriver	

Be extremely careful pressing the tab down.
If you break it you will have to buy a new one.

1/2	Right crankcase vent line	Installation: Slip-on from below	
2	Air filter		
2/1	Resonance housing	Detach from above out of the rubber mounting	
2/2	Air intake pipe	Bolt (2/3)	
B2/5	Hot film MAF sensor	Unplug electrical connector. Slacken hose clamp	