

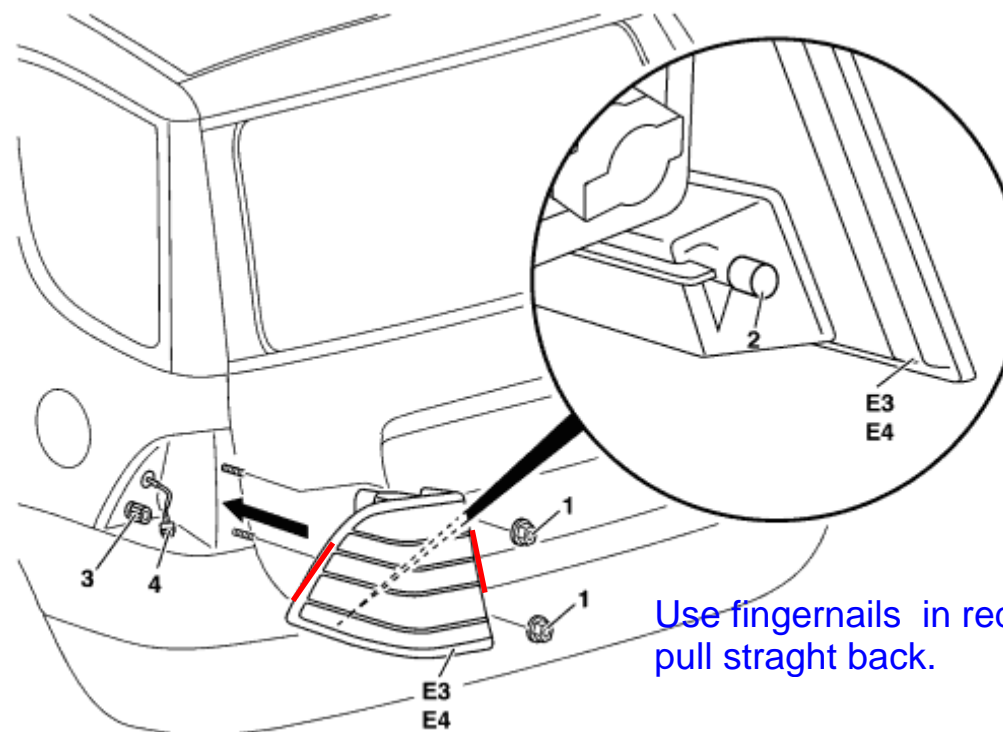
AR82.10-P-4920GH

Remove/install side wall taillamp

15.1.97

**MODEL 163**


- 1 Nuts
- 2 Spigot
- 3 Mounting fixture
- 4 Connector
- E3 Left taillamp
- E4 Right taillamp



Use fingernails in red area and pull straight back.

P82.10-0740-06

☒ ☒	Remove/Install		
1	Open rear flap		
2	Unscrew nuts (1)		
3	Pull back left taillamp (E3) or right taillamp (E4)	<b>i</b> <b>Installation:</b> Insert spigot (2) in the	

		support (3).	
4	Unplug connector (4)		
5	Take out taillamp		
6.1	Install auxiliary wiring harness	 Only if the taillamp is replaced. Only on USA version vehicles, code 494a and as of VIN A289565 up to A371934.	<a href="#">AR82.10-P-4920-01GH</a>
7	Install in the reverse order		
8	Perform function check		