

AR72.20-P-3600A

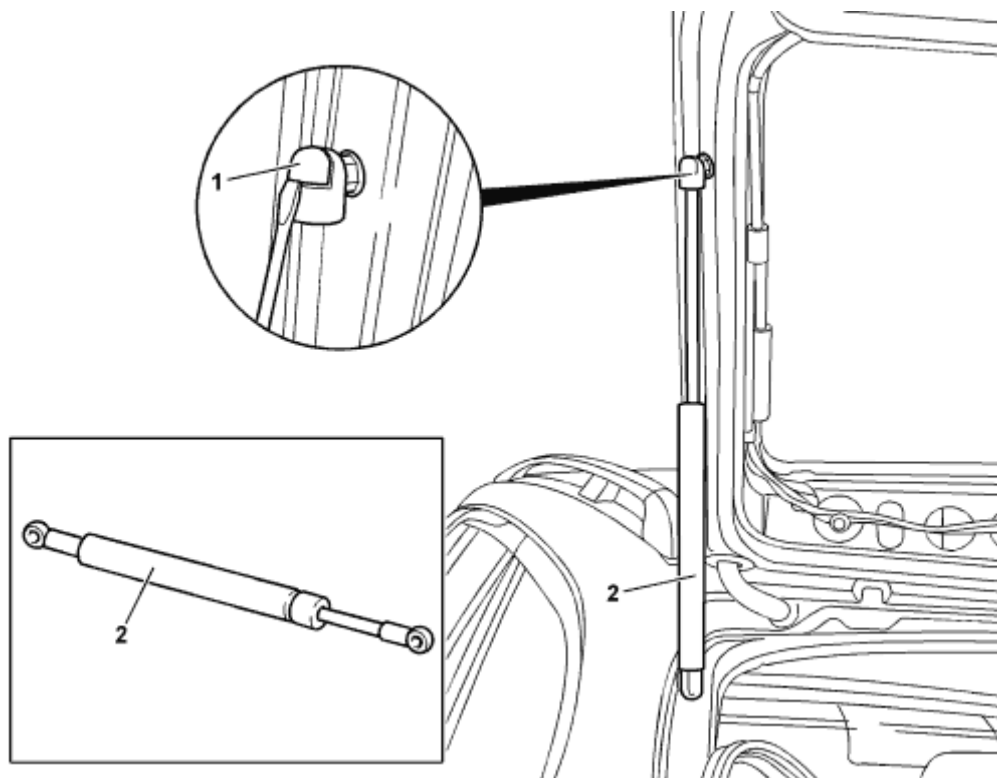
Removing and installing gas pressure strut for tailgate

22.1.96

## MODEL 163

1 Retainer

2 Gas pressure strut



P72.20-0221-06

☒ ☒	Removal, installation		
1	Secure tailgate with support		
2	Lift retainer (1)	<b>i</b> Do not remove retainer, otherwise tension is lost	
3	Remove gas pressure strut (2)	<b>i</b> When replacing gas pressure strut ↓	
		Dispose of gas pressure struts (used parts)	<a href="#">OS00.00-P-1001-01A</a>
4	Install in opposite order		