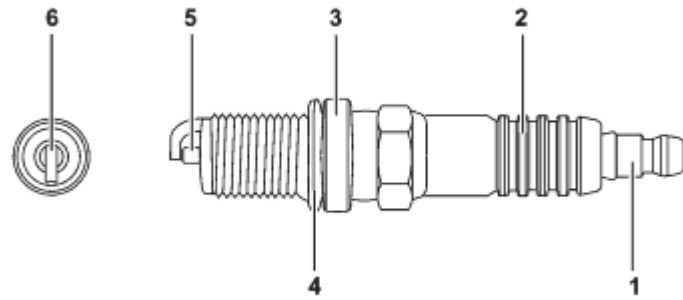


GF15.10-P-0800KB	Spark plugs installation survey as-built configuration	22.6.98
------------------	--	---------

ENGINE 112.942 in MODEL 163.154
 ENGINE 112.970 in MODEL 163.157

Spark plug with flat sealing seat

- 1 Ignition wiring
- 2 Insulator
- 3 Spark plug identification
- 4 Sealing ring
- 5 Central electrode
- 6 Ground electrode



P15.10-2019-10

	Availability list		GF15.10-P-1000-01KB
	Spark plug identification	BERU	GF15.10-P-1000-02A
		BOSCH	GF15.10-P-1000-02B
		NGK	GF15.10-P-1000-02D