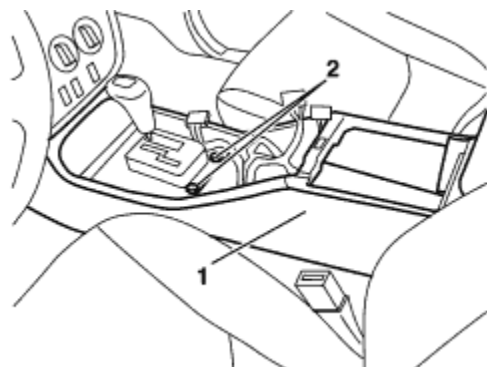


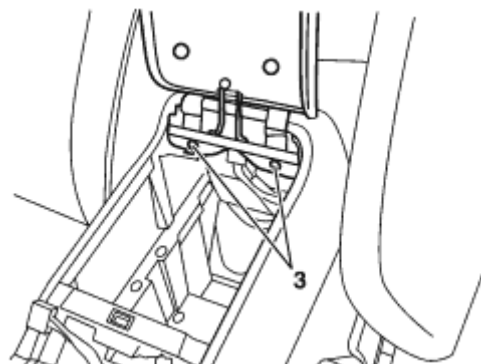
AR68.20-P-2000GH	Remove/install center console	4.2.97
------------------	-------------------------------	--------

MODEL 163



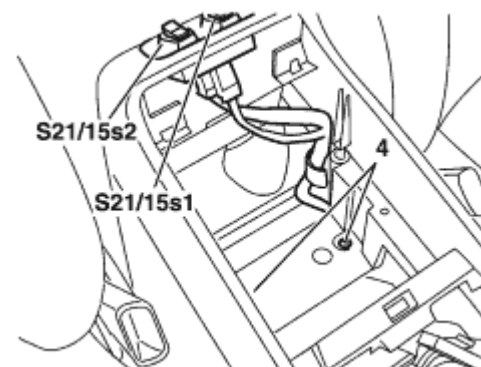
P68.20-0447-01

1 Housing
2 Screws
T20 Torx



P68.20-0449-01




3 Screws
4 Screws



P68.20-0452-01

S21/15s1 Left rear power window switch
S21/15s2 Right rear power window switch

	Remove, Install		
1	Remove armrest cover from center console		AR68.20-P-2370GH
2	Remove cover on gearshift lever	Up to 31.08.01	AR68.20-P-2310GH
		As of 01.09.01	AR68.20-P-2310GI
3	Unscrew screws (2) from front of housing (1)		
4.1	Disconnect electrical connector on right and left rear power window switches (S21/15s1 and S21/15s2)	Up to 31.08.01: Remove wiring harness from mount.	

4.2	Disconnect connector from floor in center console	 Up to 31.08.01: Remove wiring harness from mount.	
5	Unscrew screws (4) from rear of housing (1)		
6	Remove housing (1)	 Set selector lever to position N  Installation: As of 01.09.01, ensure that air duct is installed tightly.	
7	Install in the reverse order		