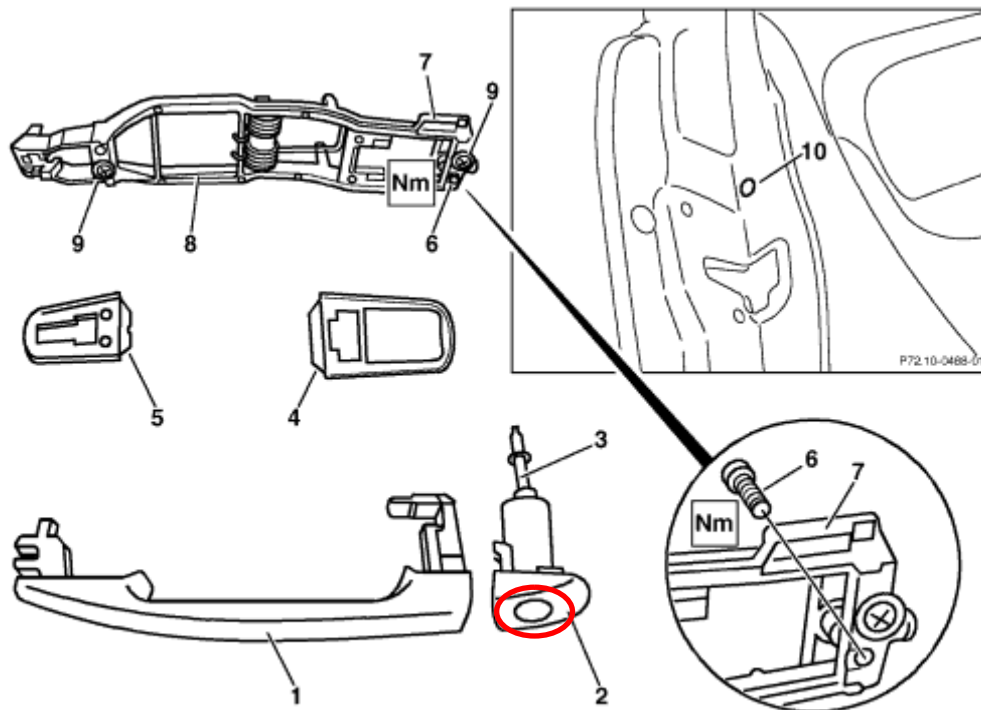


AR72.10-P-2400GH	Removing and installing outer door handle on front door	12.2.97
------------------	---	---------

MODEL 163

- 1 Handle
- 2 Lock cylinder guide
- 3 Rotating rod
- 4 Base
- 5 Base
- 6 Screw
- 7 Retaining strap
- 8 Bearing bracket
- 9 Screw
- 10 Screw opening



P72.10-0488-06

	Removal, installation		
1	Loosen screw (6)	Accessible through opening (10) on inner side of door, loosen screw (6) max. 5 turns	
			BA72.10-P-1003-01D

2	Pull off cylinder guide (2) outward to remove	i Installation: Insert rotary rod (3) into door lock actuating mechanism	
3	Pull handle (1) toward rear together with base (4) out of bearing bracket (8)		
4	Remove base (5)	i Installation: Insert base (5) into bearing bracket (8)	
5.1	Remove bearing bracket (8)	i Only if bearing bracket is defective. The bearing bracket (8) can only be removed through the installation opening in the inner door panel. For this purpose ↓	
		Remove door liner on front door	AR72.10-P-1000GH
6	Install in opposite order		
7	Adjust clearance between handle (1) and actuating lever on door lock with eccentric adjustment screw	i Eccentric adjustment screw: Accessible through opening on end of door. Use Phillips screwdriver	
8	Check for proper function		

Nm Front door

Number	Designation	Model 163
BA72.10-P-1003-01D	Screw for door handle	Nm 3