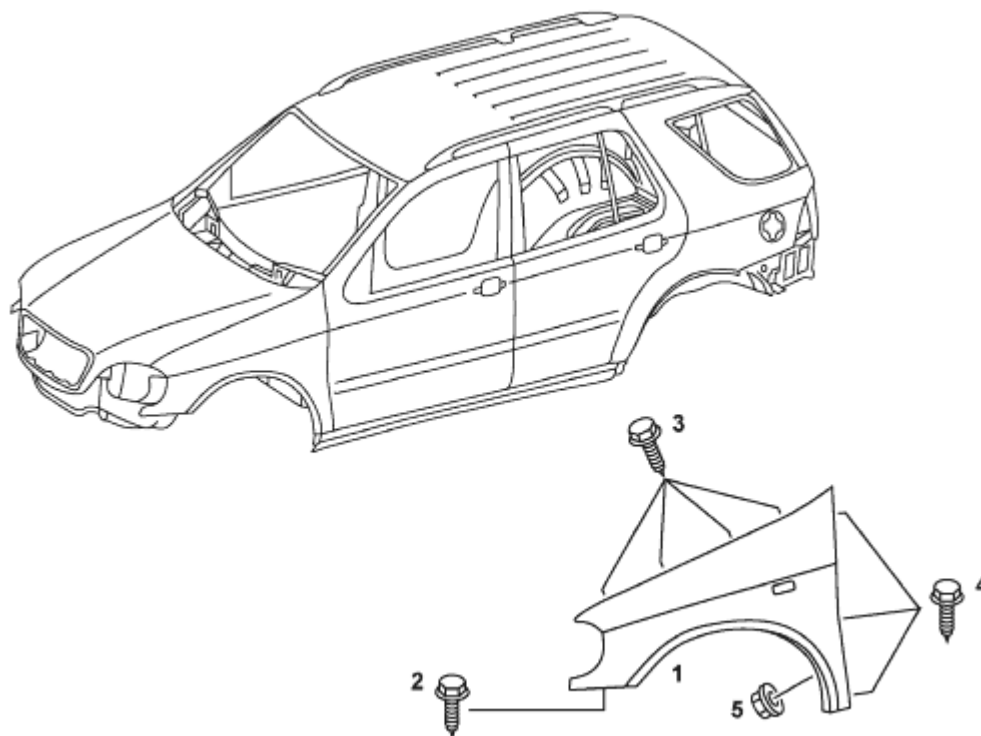



AR88.10-P-1000GH	Remove/install front fenders	25.3.97
------------------	------------------------------	---------

MODEL 163

- 1 Front fender
- 2 Front bolt
- 3 Bolts (top)
- 4 Rear bolts
- 5 Nut for inner wheel cutout



P88.10-0290-06

	Remove/install		
1	Open engine hood		
2.1	Remove front bumper Not necessary on 1998-2001	Model 163.154 as of VIN A289565, 163.157 /175 except styling package, code U49.	AR88.20-P-2000GJ

3	Remove headlamp unit		AR82.10-P-4730GH
4	Remove front bolt (2)	Nm	BA88.10-P-1001-01A
5	Loosen nut on inner wheel cutout (5)	i Until it no longer makes contact with fender liner, complete removal not necessary.	
6	Remove rear bolts (4)	i Access through open front door. i Do not damage paint.	
		Nm	BA88.10-P-1001-01A
7	Remove top bolts (3) and loosen front fender from wheelhouse	i Do not damage line for marker lamp.	
		Nm	BA88.10-P-1001-01A
8.1	Disconnect connector for marker lamp	i Up to VIN A289564, X754619.	
9	Remove front fender		
10	Install in the reverse order	i Check and adjust gaps:↓	
		Gap dimensions at hoods, doors and covers	AR60.00-P-0700-01GH
			BE60.00-P-1001-01D
			BE60.00-P-1002-01D
		S Feeler gage	129 589 03 21 00
11	Supplement underbody protection and cavity sealing wax	i See Paintwork Manual	

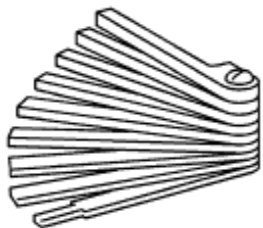
Test and adjustment values, gap dimensions at hoods, doors and covers

Number	Designation			Model 163
BE60.00-P-1001-01D	Gap dimension	Engine hood to fender	Dimension "A"	mm 5.0 (±0.5)
		Engine hood to headlamp	Dimension "R"	mm 5.0 (±0.5)

		Engine hood to radiator grille	Dimension "O"	mm	5.0 (±0.5)
		Radiator grill to headlamp	Dimension "N"	mm	-
			Fig., see		AR60.00-P-0700-01GH
BE60.00-P-1002-01D	Gap dimension	Front door to A-pillar	Dimension "B"	mm	5.0 (±0.5)
		Front door to fender	Dimension "H"	mm	5.0 (±0.5)
		Front door to rear door	Dimension "I"	mm	5.0 (±0.5)
		Front door to roof	Dimension "C"	mm	5.0 (±0.5)
		Rear door to upper side section	Dimension "D"	mm	5.0 (±0.5)
		Rear door to lower side section	Dimension "J"	mm	5.0 (±0.5)
		Fender to A-pillar	Dimension "Q"		5.0 (±0.5)
		Front door to rear fender	Dimension "P"		-
			Fig., see		AR60.00-P-0700-01GH

Nm Fender

Number	Designation	Model 163
BA88.10-P-1001-01A	Mount, fender to body	Nm 10



129 589 03 21 00

Feeler gage