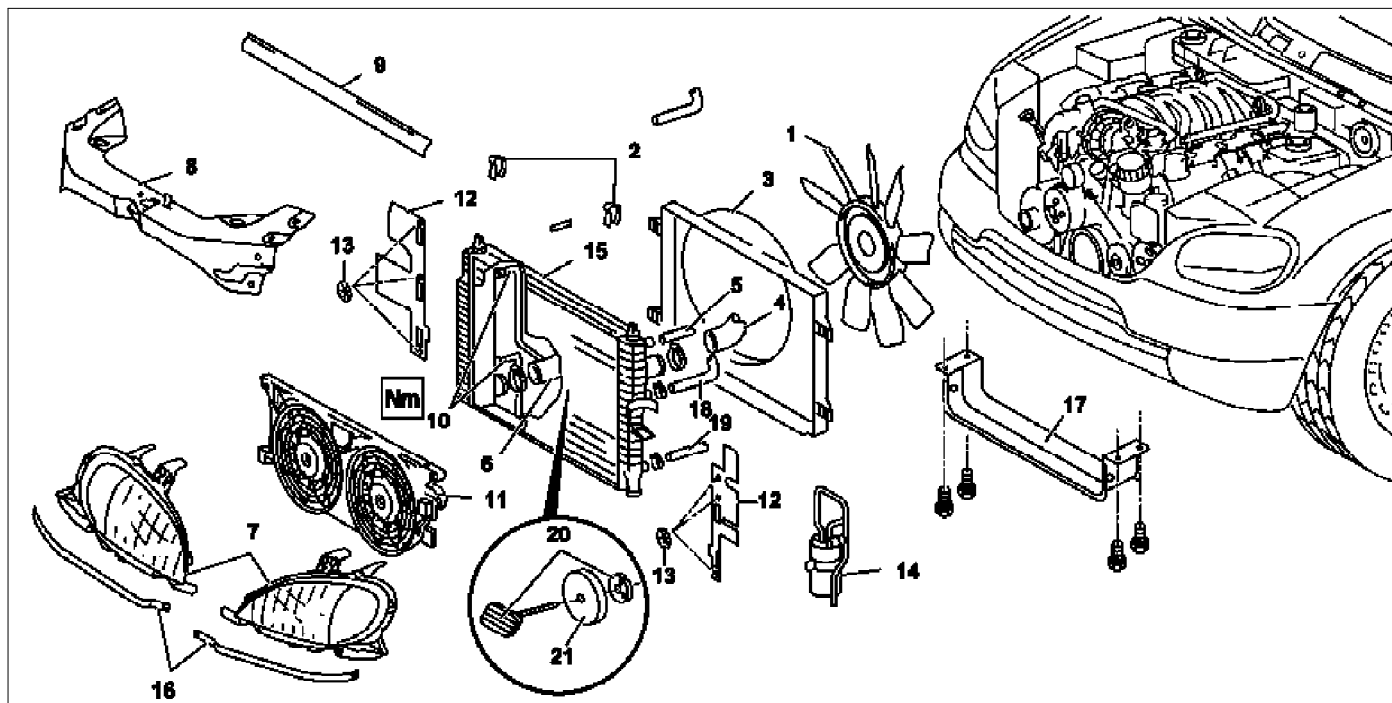


ENGINE 112.942 in MODEL 163.154
 ENGINE 112.970 in MODEL 163.157
 ENGINE 113.942 in MODEL 163.172
 ENGINE 113.965 in MODEL 163.175
 ENGINE 113.981 in MODEL 163.174



P20.20-2017-09

Shown on Model 163.154 with Engine 112

1	Viscous fan	8	Radiator crossmember	17	Air deflector plate
2	Plate clamps of fan shroud	9	Rubber seal of radiator	18	Oil line (return line radiator expansion reservoir of power steering pump)
3	Fan shroud	10	ATF lines	19	Oil line (feed line steering gear radiator)
4	Coolant line	11	Fan grille	20	Fasteners
5	Coolant line to expansion reservoir	12	Air guides	21	Damper rubber
6	Coolant line	13	Clamps of air guides		
7	Headlamps	14	Air conditioning system fluid reservoir		
		15	Radiator		
		16	Cover strips		

Modification notes

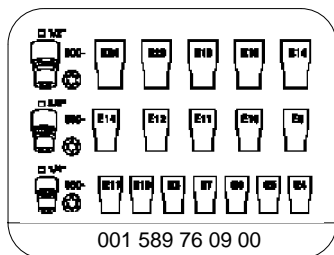
23.3.00	Radiator with integral oil cooler for power steering pump	See step 5 and 16	
---------	---	-------------------	--

	Remove/install		
		External torx set	*001589760900
		6 mm hexagon socket 7 mm hexagon socket	*WH58.30-Z-1001-06A *WH58.30-Z-1002-06A
1.1	Remove air deflector plate (17)	Engine 113.942 only.	
Danger!	Risk of injury to skin and eyes from scalding due to contact with hot coolant spray. Risk of poisoning if coolant is swallowed.	Do not open cooling system unless coolant temperature is below 90 °C. Open cap slowly and release the pressure. Do not pour coolant into beverage bottles. Wear protective gloves, protective clothing and eye protection.	AS20.00-Z-0001-01A
2	Drain the coolant at the radiator	To drain the coolant, detach coolant line at the bottom of the radiator or at the coolant pump. Installation: Replace the hose clamps on the radiator fitting for the coolant hose, as they could cause damage to the screw/thread. Hose clamp	AR20.00-P-1142HA *BA20.20-P-1004-01A

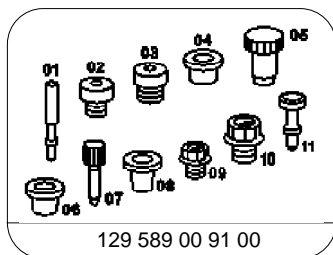
3.1	Remove viscous fan (1)	Engine 112.942 /970 and 113.942. Right-hand thread!	AR20.40-P-5660C
3.2	Remove electric fan	Only Engine 113.965 /981.	AR20.40-P-5000GH
4.1	Pull off plate clamps of fan shroud (2)	Only for Engine 112.942, from 5/98.	
5.1	Remove fan shroud (3)	Only for Engine 112.942 /970 und 113.942. Unscrew the bolts at bottom of fan shroud for this step Installation: If installing a new radiator with integral power steering pump oil cooler, a new fan shroud is required if a radiator without integral oil cooler was previously installed.	
6	Remove headlamp (7).		AR82.10-P-4730GH
7	Remove radiator crossmember (8)		AR62.30-P-2300GH
8	Detach coolant line (4, 6) and expansion reservoir coolant line (5) at the radiator	Installation: Replace the hose clamps on the radiator fitting for the coolant hose, as they could cause damage to the screw/thread. Hose clamp	*BA20.20-P-1004-01A
9	Remove the rubber seal on radiator (9)		
10.1	Remove oil line (return line of radiator ! power steering pump expansion reservoir) (18) and oil line (feed line of steering gear ! radiator) (19)	From 5/98 only, seal off the connections. Set of plugs	*129589009100
11	Unscrew ATF lines (10) at the radiator	Seal off the connections. Set of plugs	*BA20.20-P-1001-01A *BA20.20-P-1003-01A *129589009100
12.1	Detach the connector from the fan and remove the fan grille (11)	Only for Engine 112.942 /970 and 113.942.	
13	Unscrew the condenser from the radiator	Do not disconnect the lines.	
14	Remove fasteners (20) and damper rubber (21)	The damper rubber (21) is designed to prevent possible vibrations between the condenser and radiator (15) during off-road driving.	
15	Remove air conditioning system fluid reservoir (14) from the radiator	Place aside with the lines connected. Detach the condenser from the radiator.	
16	Remove radiator (15)	When installing, the spigots on the radiator must be inserted in the rubber grommets in the bottom crossmember. Installation: On Model 163.154 with Engine 112.942 before VIN end number 043553, when installing a new radiator with integral power steering pump oil cooler, additional operations are required, if they have not already been carried out: #	
V	Retrofit the bracket for the oil cooler line of the power steering pump		SM46.30-P-0002A
K	Radiator with integral oil cooler for the power steering pump		BT20.20-P-0001-01A
17	Detach air guides (12)	Replace the clamps on air guides (13).	
18	Install in the reverse order		
19	Pour in coolant		AR20.00-P-1142HA
20	Check the headlamp setting and correct if necessary Check and adjust the headlamp setting		AP82.10-P-8260GH
Danger!	Risk of accident caused by vehicle starting off when engine is running. Risk of injury caused by contusions and burns when working in engine during starting procedure	Secure the vehicle to prevent it from moving. Wear closed and snug-fitting work clothes. Do not grasp hot or rotating parts.	AS00.00-Z-0005-01A
21	Check the oil level in the automatic transmission and correct if necessary		AR27.00-P-0101A
22	Check the cooling system for leaks		AR20.00-P-1010HA

Radiator, coolant hoses

Number	Designation	Engine 112.942/ 970, 113.942/ 965/981
BA20.20-P-1001-01A	Union nut on automatic transmission ATF line to radiator	Nm 20
BA20.20-P-1003-01A	Banjo bolt M12X1.5	Nm 30
BA20.20-P-1004-01A	Hose clamp	Nm 3



External Torx set



Set of plugs

Commercially available tools

Number	Designation	Make (e. g.)	Order number
WH58.30-Z-1001-06A	6 mm hexagon socket on flexible shaft for hose clamps with worm drive	Hazet Güldenwerther Bahnhofstraße 25-28 D-42857 Remscheid	426-6
WH58.30-Z-1002-06A	7 mm hexagon socket on flexible shaft for hose clamps with worm drive	Hazet Güldenwerther Bahnhofstraße 25-28 D-42857 Remscheid	426-7