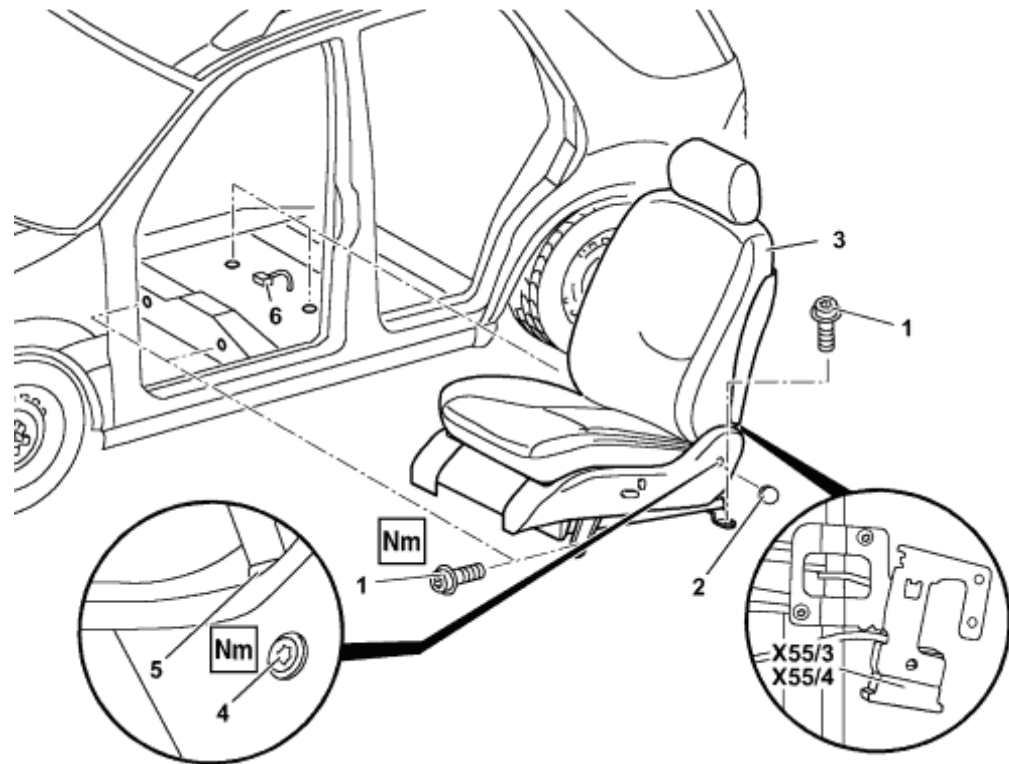


AR91.10-P-1000GH	Remove/install front seat	3.3.97
------------------	---------------------------	--------

MODEL 163 with CODE (221b) Electrically adjustable driver and passenger seat

- 1 Torx socket screws
- 2 Cover cap
- 3 Front seat
- 4 Torx socket bolt
- 5 Belt end fitting
- 6 Connector
- X55/3 Left front seat contacting strip
- X55/4 Right front seat connector block



P91.10-0547-06

	Remove/install		
1	Remove headrest	See owner's manual	
2	Remove cover cap (2) from seat rail paneling	Set the seat height adjustment such that the screw on the belt end fitting is visible.	
3	Unscrew internal Torx drive bolt (4) from the belt end fitting (5)		BA91.40-P-1001-01D
		Torx bit set	000 589 01 10 00
4	Remove belt end fitting (5)		
5	Unscrew internal Torx drive bolts (1) from the front seat console	Installation: Replace bolts.	
			BA91.10-P-1001-01B
		Torx bit set	000 589 01 10 00
6	Move the front seat (3) forward		
7	Unscrew internal Torx drive bolts (1) from the back seat console E14 socket	Installation: Replace bolts.	
			BA91.10-P-1001-01B
		Torx bit set	000 589 01 10 00
8	Detach connector (6) from the front left seat connector block (X55/3) and the front right seat connector block (X55/4)		
9	Remove front seat (3)		
10	Install in the reverse order		

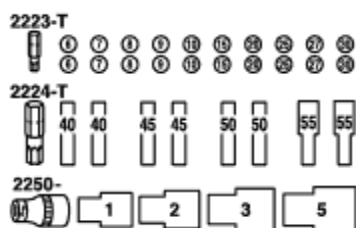
Front seats

Number	Designation	Model Series 163
--------	-------------	------------------

BA91.10-P-1001-01B	Bolt of seating mounting bracket to vehicle floor	Nm	40
--------------------	---	----	----

Nm Safety belts/emergency tensioning retractors

Number	Designation		Model 163 up to 08/99	Model 163 as of 09/99
BA91.40-P-1001-01D	Belt end fitting screw	Nm	35	35



000 589 01 10 00

Torx bit set