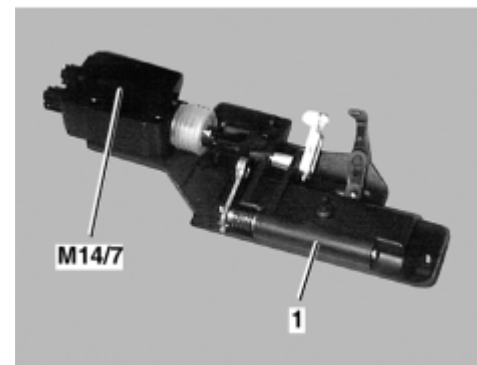


|                  |   |         |
|------------------|---|---------|
| AR80.20-P-4005GH | Removing, installing tailgate central locking motor | 13.3.97 |
|------------------|---|---------|

**MODEL 163**

1 Tailgate handle  
M14/7 Tailgate CL actuating motor



P80.20-0482-01

| ☒ ☒ | Removal, installation   |  |                                  |
|-----|---|--|----------------------------------|
| 1   | Remove tailgate lock  |  | <a href="#">AR72.20-P-2550GH</a> |
| 2   | Remove tailgate CL actuating motor (M14/7) from tailgate handle (1) |  |                                  |
| 3   | Check tailgate CL actuating motor (M14/7) for proper function       | <input type="checkbox"/> <b>i</b> Actuate central locking with tailgate open |                                  |
| 4   | Reinstall in opposite order   |  |                                  |