

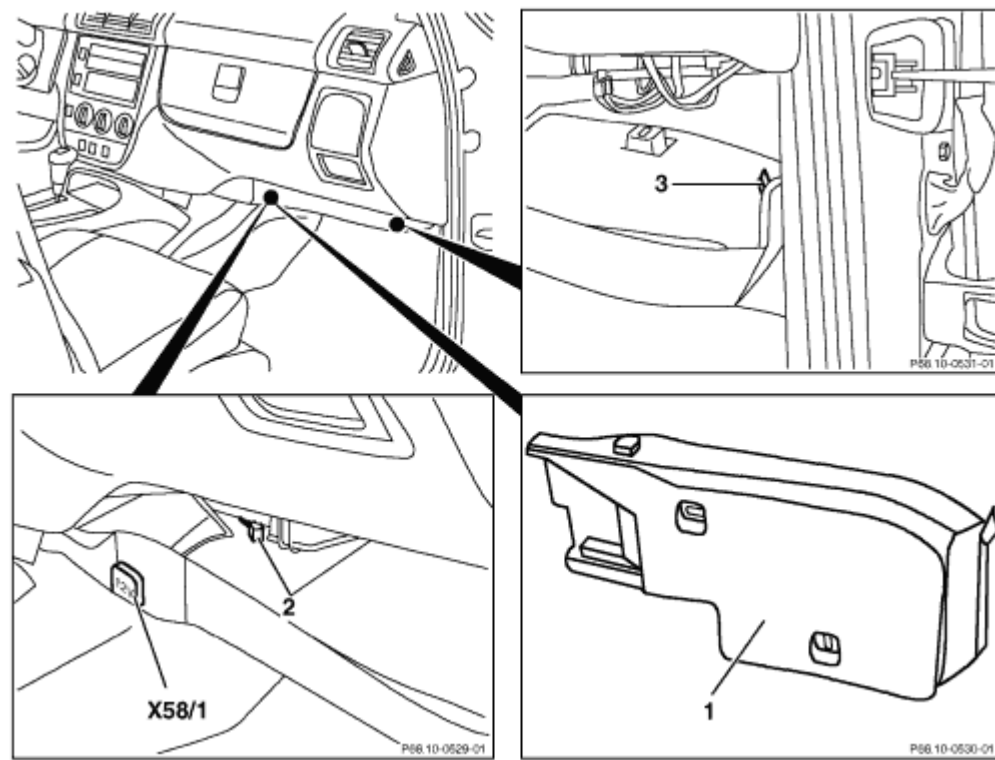
AR68.10-P-1520GH

Remove/install cover below instrument panel (right)

4.2.97

MODEL 163.154 /172 #A up to 145272,
163.154 /172 #X up to 708318

1 Cover
2 Plug-in clips
3 Catch
X58/1 Interior socket



P68.10-0527-06

☒ ☒	Remove/Install		
1	Unhook catch (3) on blower motor	ⓘ Risk of breakage!	
2	Unclip cover (1)	ⓘ Cover is fastened with 2 clips (2).	
3	Disconnect electrical connector from interior socket (X58/1)		
4	Install in the reverse order		