

AR72.10-P-4011GH

Removing and installing front door lock

13.2.97

**MODEL 163**

1 Guide rail

2 Door lock

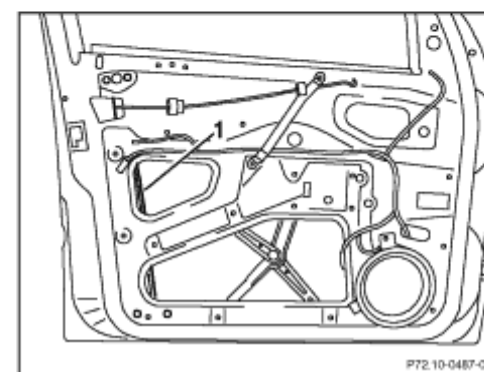
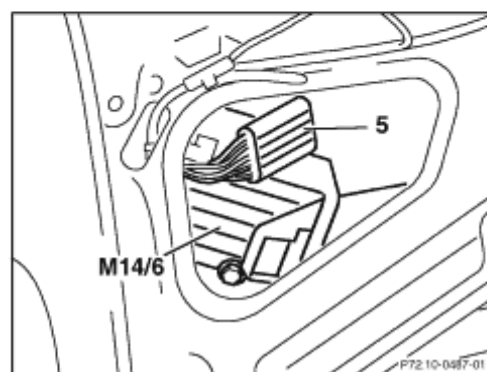
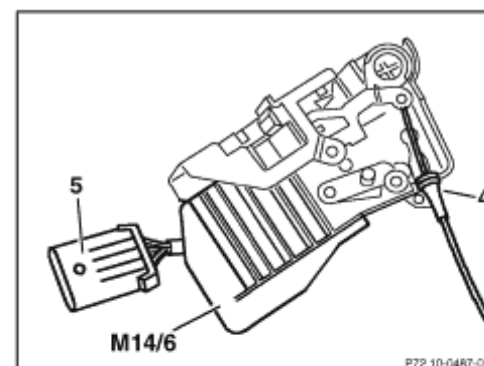
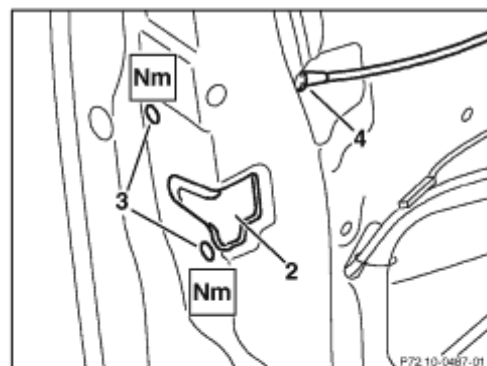
3 Screws

4 Control cable

5 Connector




M14/5 Right front door central locking motor (not illustrated)

M14/6 Left front door central locking motor (not illustrated)



P72.10-0487-06

☒ ☒	Removal, installation		
1	Remove door liner on front door		<a href="#">AR72.10-P-1000GH</a>
2	Remove outer door handle on front door		<a href="#">AR72.10-P-2400GH</a>
3	Remove bearing bracket for door handle		

4	Pull door foil off of inner door panel	 <b>Installation:</b> Replace damaged foil	
5	Remove window lift mechanism guide rail (1)		
6	Unscrew screws (3)		<a href="#">BA72.10-P-1004-01D</a>
7	Disconnect connector (5) on central locking motor (M14/5 or M14/6)		
8	Remove door lock (2)	 Remove door lock (2) downward through installation opening	
9	Unhook control cable (4)		
10	Install in opposite order		

 **Front door**

Number	Designation		Model 163
BA72.10-P-1004-01D	Screw on door lock	Nm	8