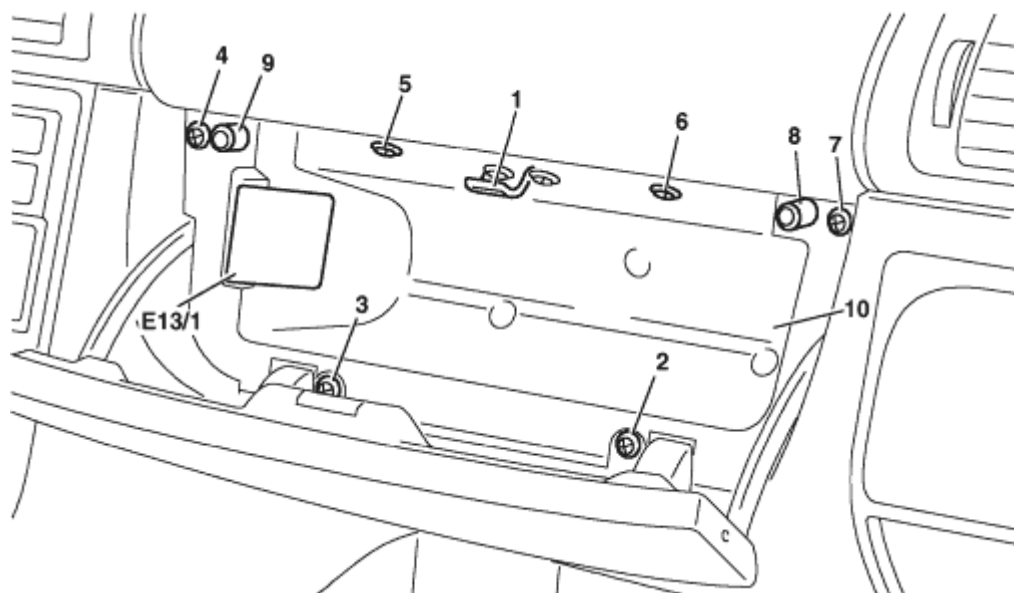




AR68.10-P-1400GH	Remove/install glove compartment	4.2.97
------------------	----------------------------------	--------

MODEL 163.154 /172 #A up to 145272

- 1 Striker eye
 2-7 Screws
 8-9 Stop buffer
 10 Glove compartment
 E13/1 Glove compartment lamp



P68.10-0515-05

	Remove/Install		
1	Open glove compartment lid		
2	Unclip glove compartment lamp (E13/1) and disconnect connector		
3	Remove striker eye (1)	 Installation: Check adjustment. Refer to: ↓	
		Adjust glove compartment lid.	AR68.10-P-1300GH
4	Unscrew screws (2-7)		
5	Pry glove compartment (10) out of arrest at bottom and pull out		
6	Install in the reverse order		