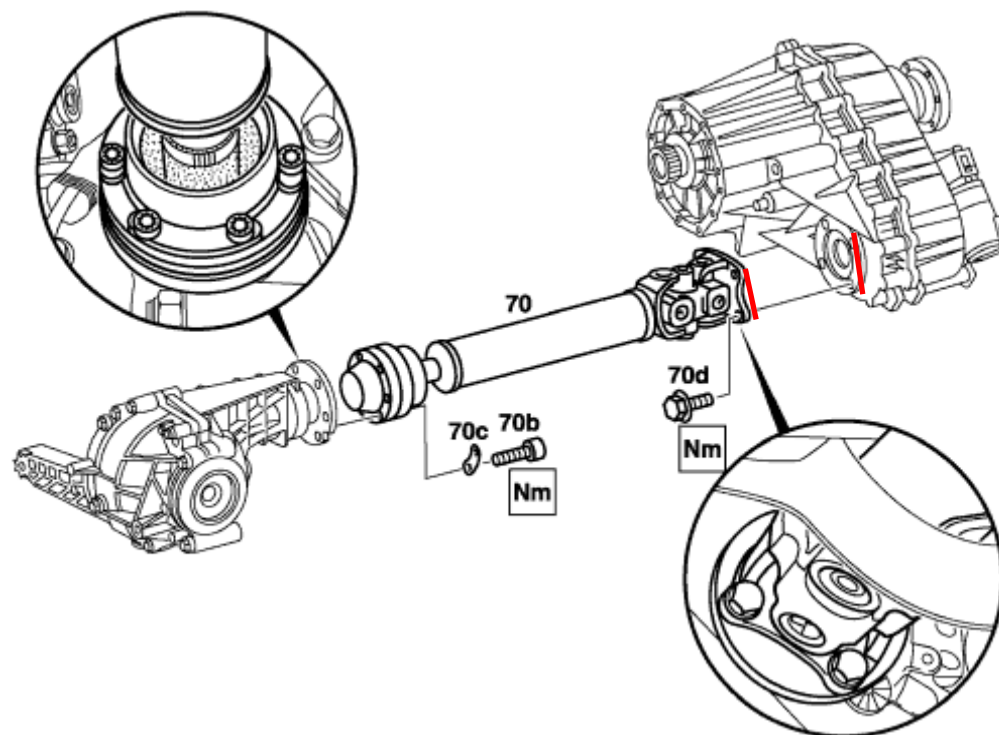



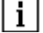


AR41.10-P-0070GH	Remove/install front axle differential propeller shaft	11.6.97
------------------	--	---------

MODEL 163.154 /157 /172 /174 /175



P41.10-0275-06

	Remove, Install		
	Installation	Replace self-locking bolts (70b, 70d) and shims (70c)	
1	Detach self-locking bolts (70d) from transfer case	Installation: Pay attention to cleanliness of contact surfaces of	

		universal joint flange and transfer case flange and clean if necessary.	
			BA41.10-P-1003-01C
2	Detach self-locking bolts (70b) from front axle gear	 Installation: Pay attention to perfect centering between front axle transmission flange and propeller shaft.	
			BA41.10-P-1004-01C
3	Remove propeller shaft forwards		
	Inspection		
4	Check constant velocity joint and double universal joint for wear or damage	If necessary replace propeller shaft complete.	
5	Install in the reverse order		

 **Propeller shaft**

Number	Designation		Model Series 163
BA41.10-P-1003-01C	Self-locking bolt, propeller shaft to transfer case (to front axle)	Nm	50
BA41.10-P-1004-01C	Self-locking bolt, propeller shaft to front axle gear	Nm	40