

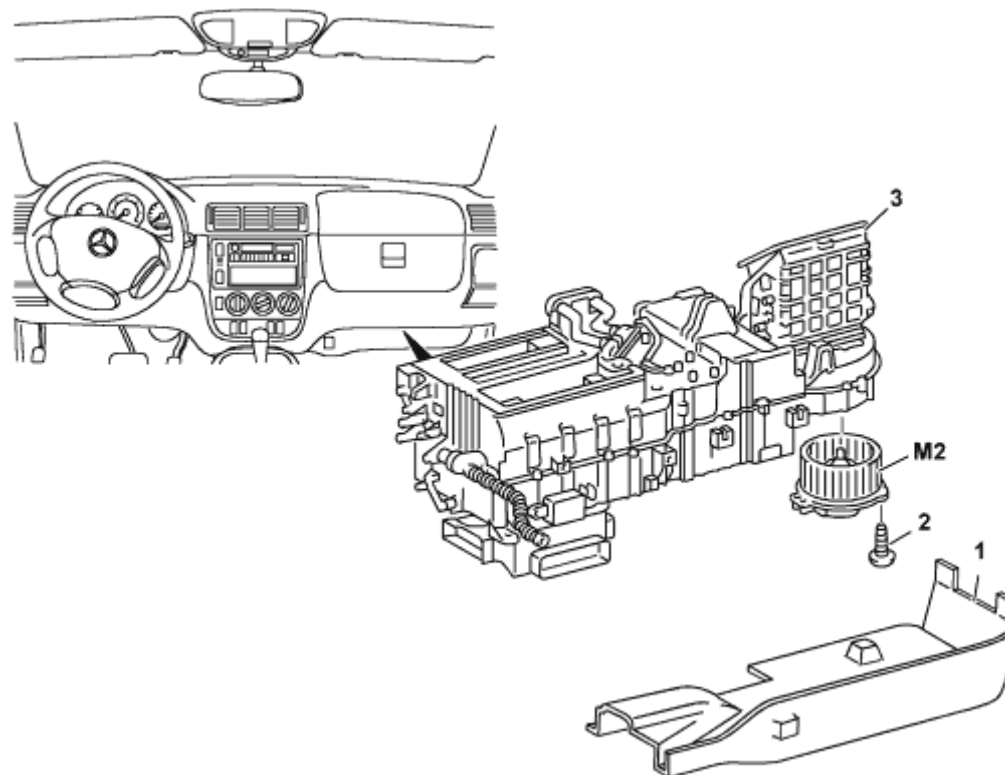
AR83.30-P-5560GH

Remove/install air conditioning blower motor



19.3.97

MODEL 163 with CODE (580) Air conditioning or Tempmatic for USA

- 1 Cover
 2 Bolt
 3 A/C housing
 M2 Blower motor



P83.30-0764-06

☒ ☒	Remove/Install		
1	Remove cover (1) under the instrument panel (right)	 Up to VIN A145272, X708318.	AR68.10-P-1520GH
		 As of VIN A145273, X708319.	AR68.10-P-1520GI
2	Unscrew bolt (2) from blower motor		

	(M2)		
3	Disconnect connector from blower motor (M2)		
4	Remove blower motor (M2) from AC housing (3)		
5	Install in the reverse order		