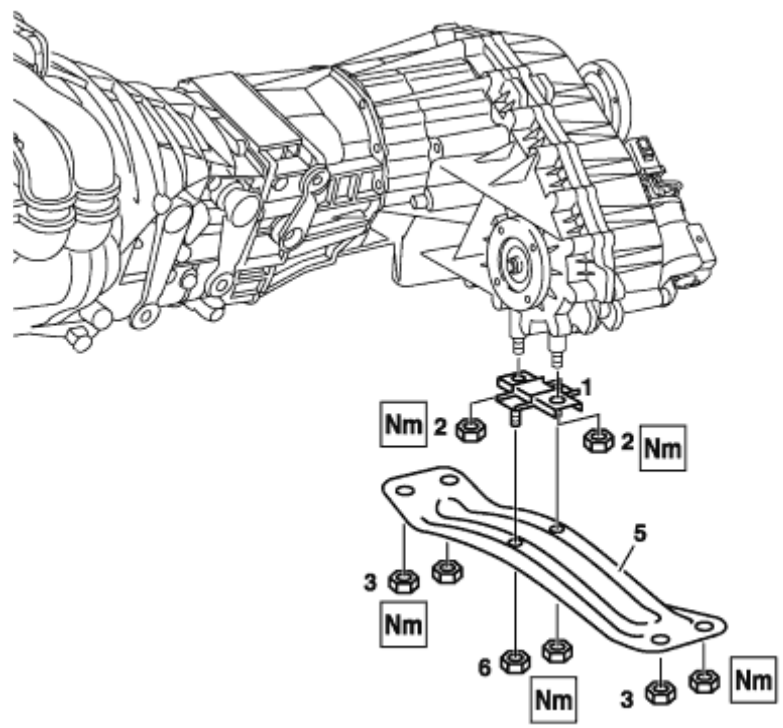


AR22.10-P-1160HG	Remove/install rear engine mount	15.4.98
------------------	----------------------------------	---------

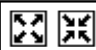


**ENGINE 112, 113**

*Shown on Engine 111 in Model 163*

- 1 Engine mount
- 5 Engine crossmember
- 2 Nut
- 3 Nut
- 6 Nut



P22.10-2024-06

	<b>Remove/Install</b>		
1	Support transmission		
2	Remove rear engine crossmember (5)	 Engine 112.	<a href="#">BA22.10-P-1002-01L</a>
		 Engine 112.	<a href="#">BA22.10-P-1003-01L</a>

3	Remove engine mount (1) at rear	<b>Nm</b> Engine 112.	<a href="#">BA22.10-P-1006-01L</a>
4	Install in the reverse order		

**Nm** Engine mounts, engine supports

Number	Designation	Engines 112.942/970, 113.942/965/981 in Model 163.154/157/172/174/175		
BA22.10-P-1002-01L	Bolt of rear engine mount to rear engine cross member		Nm	30
BA22.10-P-1003-01L	Bolt of rear engine crossmember to body		Nm	40
BA22.10-P-1006-01L	Bolt or nut of rear engine mount to transmission	M8	Nm	-
		M10	Nm	40