

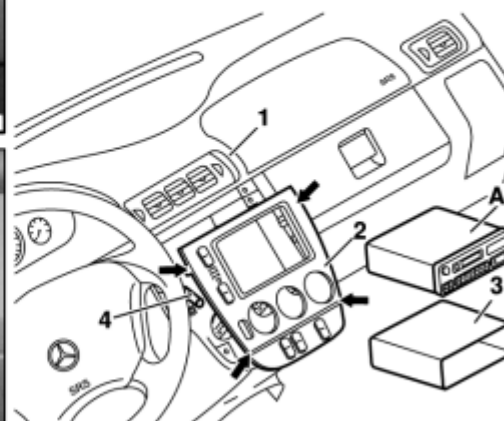
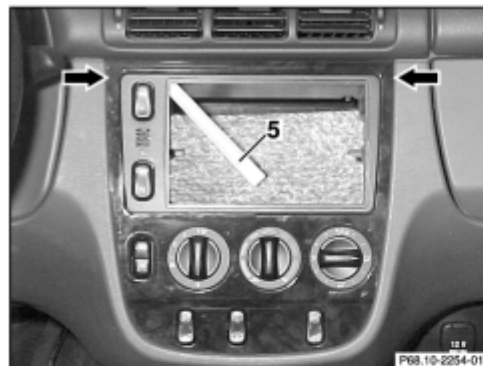
AR68.10-P-1030GH

Remove/install center section of instrument panel



11.4.97

MODEL 163**Illustrated on Model 163 up to VIN
A289564, X754619**

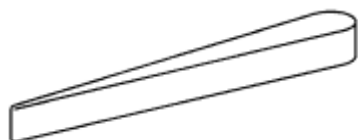
- 1 Instrument panel
- 2 Instrument panel center section
- 3 Stowage compartment
- 4 In-car temperature sensor intake hose
- 5 Long wedge
- A2 Radio
- Arrows Retaining clips



P68.10-2358-06

☒ ☒	Remove/install		
1	Remove radio (A2)		AR82.60-P-7502EA
2.1	Remove stowage compartment (3)	 Only if present	
3	Pry off top retaining clips (arrows) at	 Risk of cracks and fracture!	

	center section of instrument panel (2) out of instrument panel (1)	i Put long wedge (5) behind center section of instrument panel (2) on the top edges of the opening and carefully pry off top retaining clips (arrows).	
		S Long wedge Plastic	115 589 03 59 00
4	Insert long wedge (5) into gap between instrument panel center section (2) and instrument panel (1) and pull down to rotary switches	S Long wedge	115 589 03 59 00
5	Carefully pry off bottom retaining clips (arrows) at center section of instrument panel (2) out of instrument panel (1)	i Risk of cracks and fracture!	
		S Long wedge	115 589 03 59 00
6.1	Pull off interior temperature sensor intake hose (4)	i Up to VIN A289564, X754619.	
7	Unplug all connectors from center section of instrument panel (2).		
8.1	Separate connectors from AAC pushbutton control module	i As of VIN A289565, X754620.	
9	Remove instrument panel center section (2)		
10	Install in the reverse order		



115 589 03 59 00

Long wedge