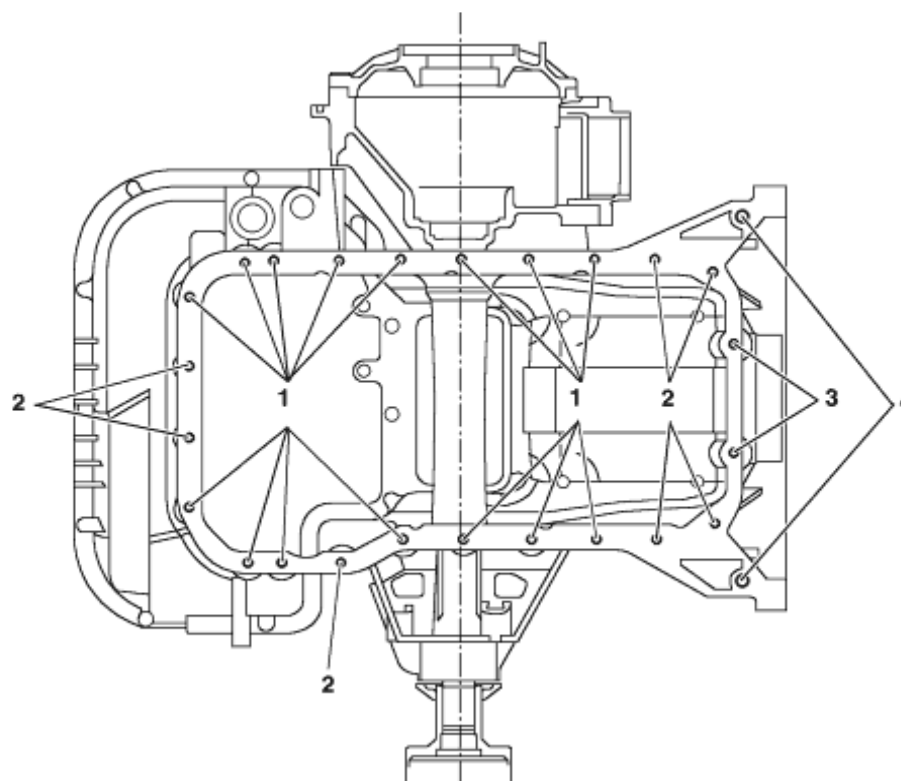


AR01.45-P-7500-06F	Oil pan bolt diagram	 Pay attention to different lengths and diameters of bolts!	
--------------------	----------------------	---	--

Engine 112 with 4 MATIC

Top part of oil pan

- 1 Outer torx M6 X 20
- 2 Outer torx M6 X 40
- 3 Outer torx M6 X 85
- 4 Outer torx M8 X 30

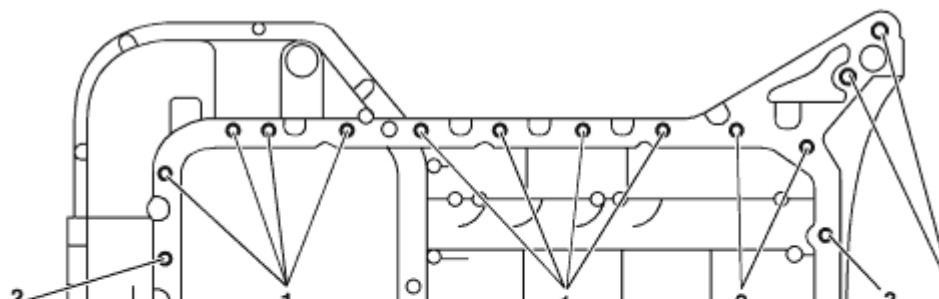


P01.45-0233-06

Engine 112 without 4 MATIC

Top part of oil pan

- 11 Outer torx M6 X 20
- 22 Outer torx M6 X 40
- 31 Outer torx M6 X 90
- 4 Outer torx M8 X 30

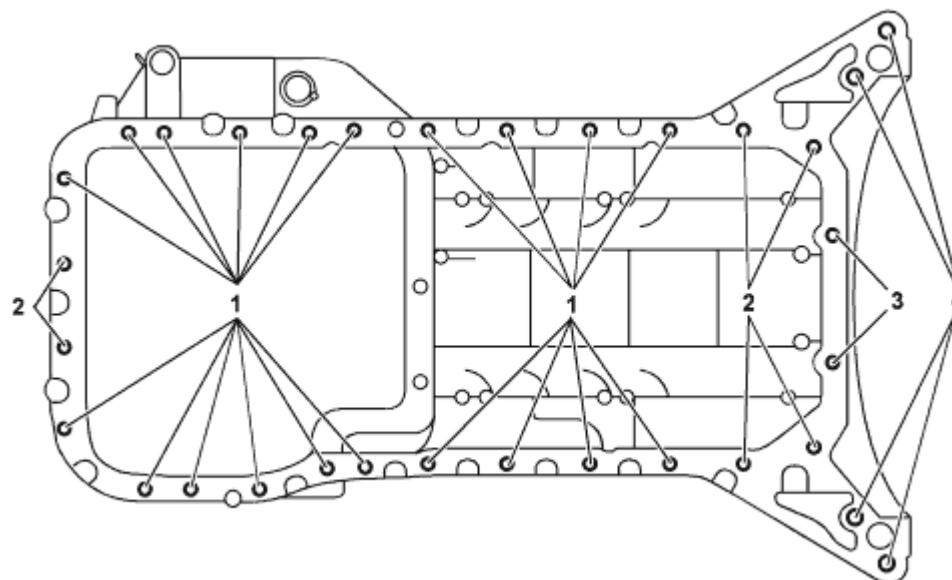


P01.45-0236-05

Engine 113

Top part of oil pan

- 1 Outer torx M6 X 20
- 2 Outer torx M6 X 40
- 3 Outer torx M6 X 90
- 4 Outer torx M8 X 30



P01.45-0258-05