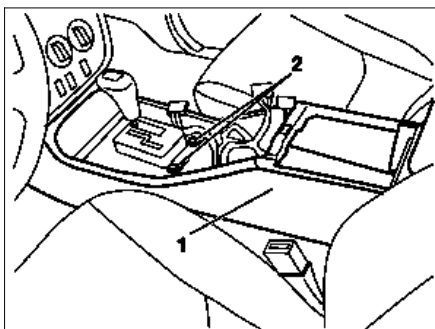
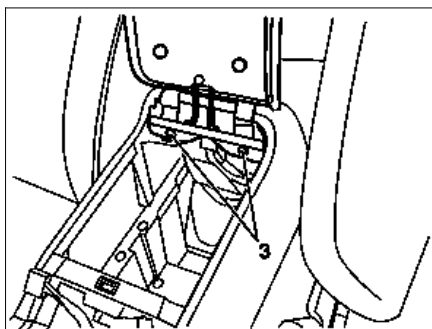


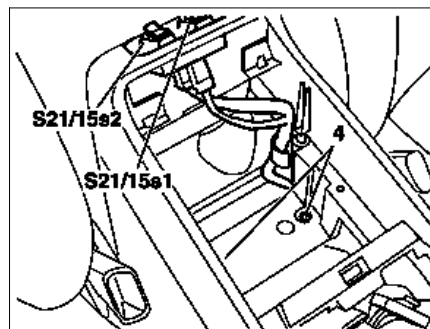
MODEL 163.113 /128 /136 /154 /157 /172 /174 /175



P68.20-0447-01



P68.20-0449-01












P68.20-0452-01

1 Housing  
2 Bolts

3 Bolts  
4 Bolts

S21/15s1 Left rear power window switch  
S21/15s2 Right rear power window switch

 	Remove/install		
1	Remove armrest cover from center console		AR68.20-P-2370GH
2	Remove cover on gearshift lever	Model 163.113 /136 /154 /172 /174 up to 31.8.01 Model 163.113 /154 /174 #A as of 289565, 163.113 #X as of 754620, 163.128 /157 /175  <b>Installation:</b> Check ashtray mechanism for proper function, if necessary loosen threaded connection on housing (1) and tighten housing (1) without tension.	AR68.20-P-2310GH  AR68.20-P-2310GI
3	Remove screws (2) from front of housing (1)	 <b>Installation:</b> Ensure that housing (1) is installed without tension.	
4.1	Disconnect electrical connector from left and right rear power window switch (S21/15s1, S21/15s2)	On vehicles up to 31.08.01.   Remove electric wiring harness from bracket.	
4.2	Disconnect connector from floor in center console	On vehicles up to 31.08.01.   Remove electric wiring harness from bracket.	
5	Remove screws (4) from rear of housing (1)	 <b>Installation:</b> Ensure that housing (1) is installed without tension.	
6	Remove housing (1)	 Set selector lever to position N.   <b>Installation:</b> On vehicles as of 01.09.01, ensure that the air duct is installed tightly.	
7	Install in the reverse order		