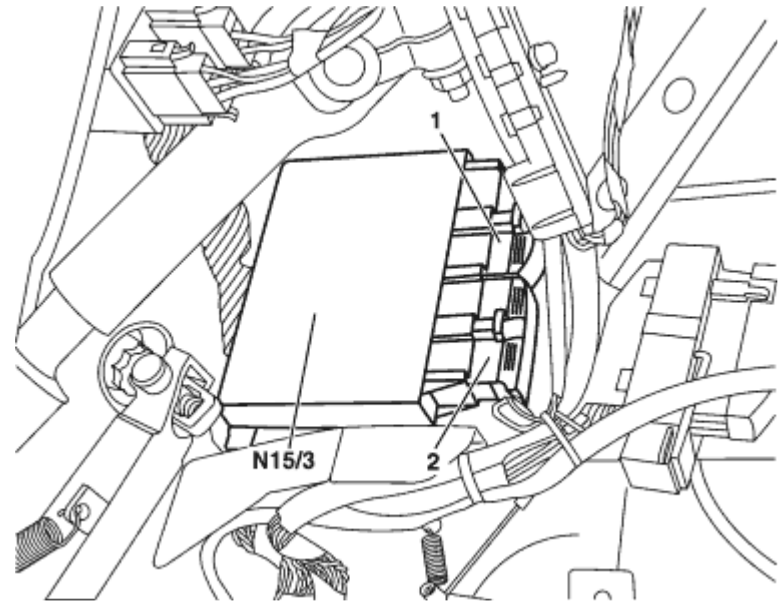



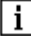
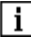

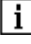
AR27.19-P-1719GH	Removing and installing electronic transmission control (ETC) control module	20.1.00
------------------	--	---------

TRANSMISSION 722.662 in MODEL 163.154  
 TRANSMISSION 722.674 in MODEL 163.157  
 TRANSMISSION 722.663 in MODEL 163.172  
 TRANSMISSION 722.666 in MODEL 163.174 /175

1 Connector  
 2 Connector  
 N15/3 ETC control module



P27.19-2069-11

	Remove/install		
1	Turn ignition key to position "0"	 To avoid fault codes.	
2	Remove cover below instrument panel on driver's side		<a href="#">AR68.10-P-1500GH</a>
3	Turn plug side of ETC control module (N15/3) inwards and detach from bracket	 ETC control module (N15/3) is located on the driver's side of the vehicle next to the heating housing.	
4	Unplug connectors (1, 2)	 Danger of breaking!	
5	Remove ETC control module (N15/3)	 <b>Installation:</b> If a new ETC control module is installed, the coding information from the old control module must be copied to the new control module using STAR DIAGNOSIS.	
6	Install in the reverse order		