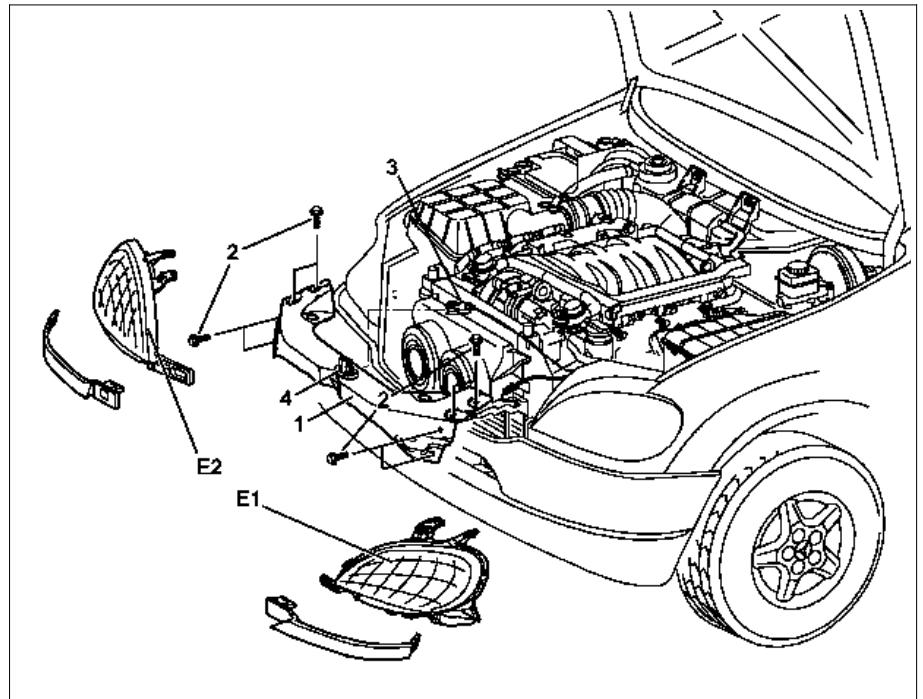


## MODEL 163

- 1 Upper frame cross member
- 2 Screws
- 3 Engine hood control cable
- 4 Engine hood lock
- E1 Left headlamp unit
- E2 Right headlamp unit



P62.30-0350-06

☒ ☒	Removal, installation		
1	Remove headlamp unit on left (E1) and right (E2)		AR82.10-P-4730GH
2	Remove upper frame cross member (1)	<b>i</b> Unscrew screws (2).	
3	Remove engine hood control cable (3) from engine hood lock (4)	<b>i</b> For this purpose turn upper frame cross member over. Unhook engine hood control cable and pry catch out of upper frame cross member.	
4	Remove upper frame cross member (1)		
5	Install in opposite order		