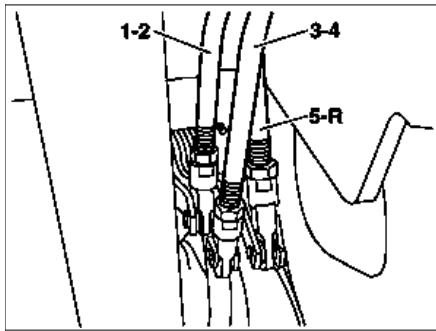
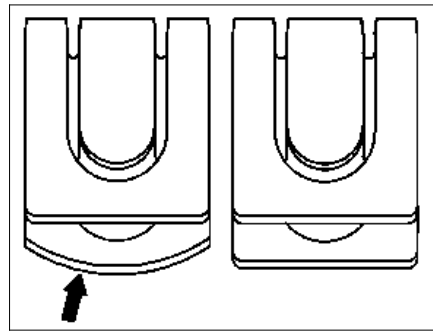


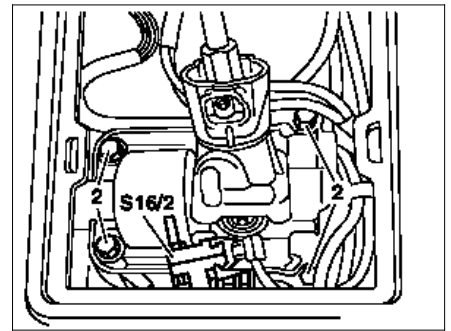
TRANSMISSION 717.4 in MODEL 124, 129, 140, 163, 170, 202, 208, 210



P26.60-0249-01



P26.60-0247-01



P26.60-0207-01

		Removing, installing		
1		Move transmission into neutral		
2		Disengage, engage (1-2, 3-4, 5-R) at the intermediate shift levers		
3		Remove and install cover on shift lever	<b>Model 124</b> <b>Model 129</b> <b>Model 140</b> <b>Model 163</b> <b>Model 170</b> <b>Model 202</b> Shown with automatic transmission <b>Model 208</b> <b>Model 210</b>	ra68001240230x ra68001290230x ra68001400230x AR68.20-P-2310GH AR68.20-P-2310G AR68.20-P-2310E AR68.20-P-2310K AR68.20-P-2310F
4		Connect, disconnect plug connection on reversing light switch (S16/2)		
5		Unclip, clip control cable of parking brake to the side	<b>Model 124</b>	
6		Loosen or tighten hexagon nuts and remove or insert bearing bracket		*BA26.60-P-1001-01A
7		Install in reverse sequence		
8		Adjust center shift	<b>Models 124, 129, 140,</b> <b>Model 163, 170, 202, 208, 210</b>	AR26.60-P-0620A AR26.60-P-0620B

Shift

Number	Designation		Transmis- sion 717.4
BA26.60-P-1001-01A	Bolts in bearing bracket	Nm	6