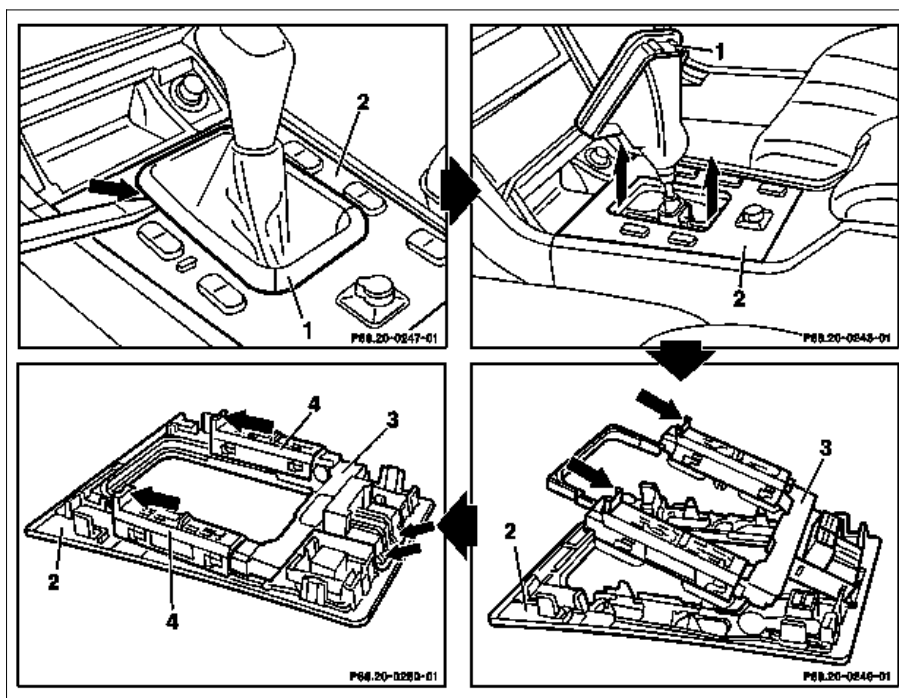


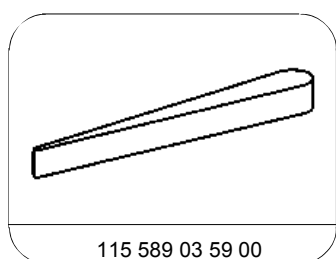
MODEL 210 with CODE (230a) 5-speed transmission

- 1 Frame
- 2 Cover
- 3 Switch module
- 4 Retainer



P68.20-0255-06

☒ ☒		Removal, installation		
1		Open ashtray housing		
2		Unclip frame (1) at side top with long wedge	☒	*115589035900
3		Lift cover (2) at center		
4		Disconnect connectors on rear of cover (2)		
5		Remove cover (2)		
6		To remove switch module (3) unhook switch module, lift at front and remove from cover (2)	i Installation:	
			When installing the switch module (3) hook switch module in at rear (arrows) and arrest with retainers (4)	
7		Reinstall in opposite order		



115 589 03 59 00

Long wedge