

ENGINES 111.951 /955 /956 /957 /981 /982
ENGINES 112.910 /911 /912 /913 /914 /916 /917 /920 /921 /922 /923 /940 /941 /942 /943 /944 /946 /947 /949 /953 /954 /955 /970 /972 /973 /975
ENGINES 113.940 /941 /942 /943 /948 /960 /961 /963 /965 /966 /967 /968 /969
ENGINES 166.940 /960 /990 /995

Shown on engines 112, 113 in models 129, 163, 170, 202, 208, 210, 215, 220

1 Electronics with 3-pin plug connection

B40 Oil sensor (oil level, temperature and quality)

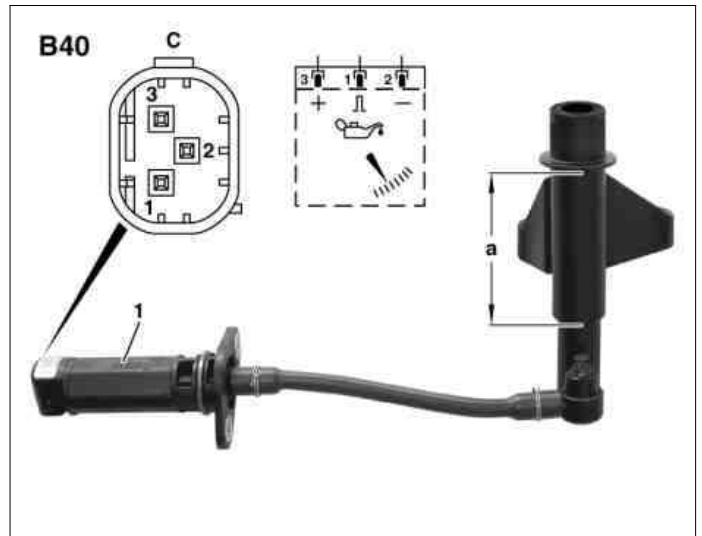
a Capacitive measuring range at sensor

C Connector

Pin 1: output signal

Pin 2: GND

Pin 3: voltage supply



P18.40-2104-11

	Oil sensor position	Engines 111.951/ 951/955 M112, 113 in models 129, 163, 170, 202, 208, 210, 215, 220 and models 203, 211 with 4MATIC M112, 113 in models 203, 211 without 4MATIC and model 209 M166	GF18.40-P-4111-01GS GF18.40-P-4111-01A GF18.40-P-4111-01AA GF18.40-P-4111-01GC
	Oil sensor task	Detecting oil level, oil temperature, oil quality	
	Oil sensor design	The oil sensor consists of: <ul style="list-style-type: none"> ● Electronics with 3-pin connector ● Capacitive measuring elements (condensers) ● Temperature sensor. 	
	Oil sensor function		GF18.40-P-4111-02A