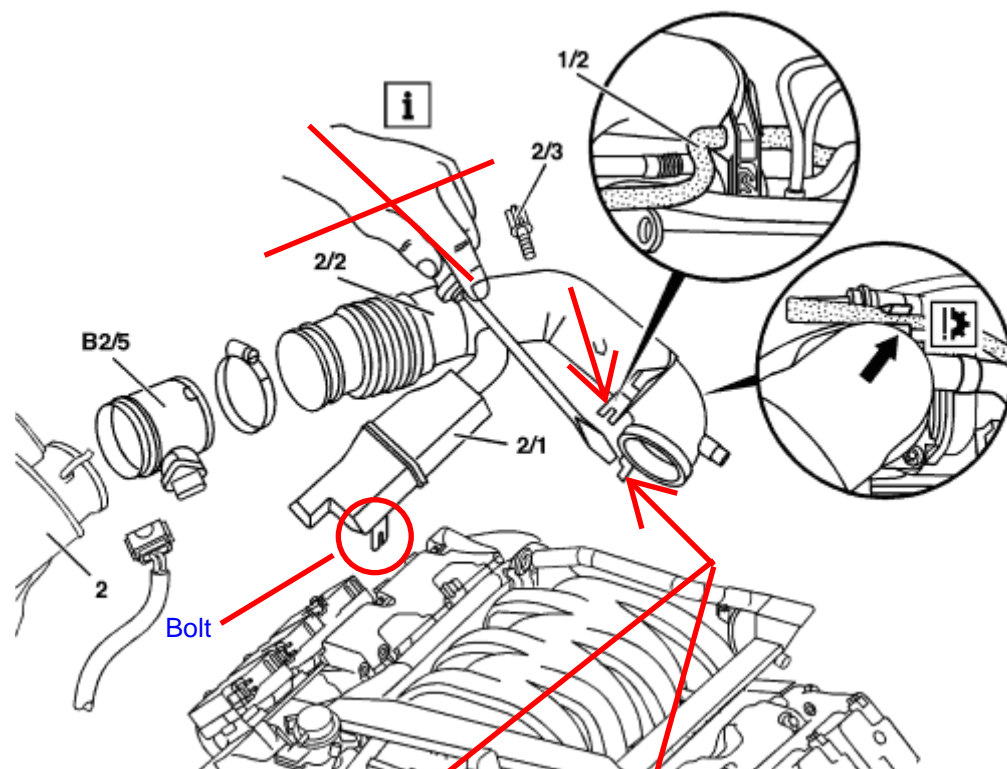


AR07.07-P-1454A	Remove/install hot film mass air flow sensor together with air intake pipe	1.10.96
-----------------	--	---------

ENGINE 112.942 in MODEL 163.154
 ENGINE 112.970 in MODEL 163.157

Shown on Engine 112

- 1/2 Right crankcase vent line
- 2 Air cleaner
- 2/1 Resonance housing
- 2/2 Air intake tube
- 2/3 Bolt
- B2/5 Hot film mass air flow sensor



P07.61-0440-06

Fig. item, etc.	Work instructions		
	Cable actuator of electronic accelerator	Removal: Before the air intake tube (2/2) is removed, detach cable (arrow)	
	Lock of air intake tube to actuator electronic accelerator	Removal: Press plate to bottom by means of screwdriver	Use your thumb nail instead of screwdriver

Be extremely careful pressing the tab down.
 If you break it you will have to buy a new intake pipe.

1/2	Right crankcase vent line	Installation: Slip-on from below	
2	Air filter		
2/1	Resonance housing	Detach from above out of the rubber mounting	
2/2	Air intake pipe	Bolt (2/3)	
B2/5	Hot film MAF sensor	Unplug electrical connector. Slacken hose clamp	