

ENGINE 112.942 in MODEL 163.154

ENGINE 112.970 in MODEL 163.157

ENGINE 113.942 in MODEL 163.172

ENGINE 113.981 in MODEL 163.174

ENGINE 113.965 in MODEL 163.175

**Shown on engine 112****Left picture**

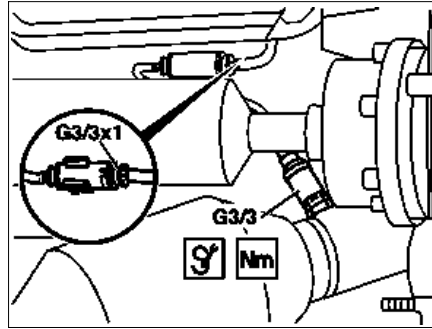
G3/3 Left O2 sensor upstream of TWC

G3/3x1 Connector for left O2 sensor upstream of TWC

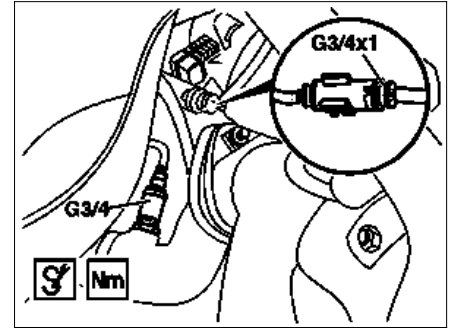
**Diagram right**

G3/4 Right O2 sensor upstream of TWC

G3/4x1 Connector for right O2 sensor upstream of TWC



P14.00-0256-01



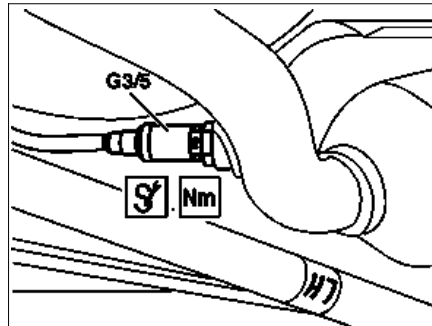
P14.00-0255-01

**Shown on engine 112****Left picture**

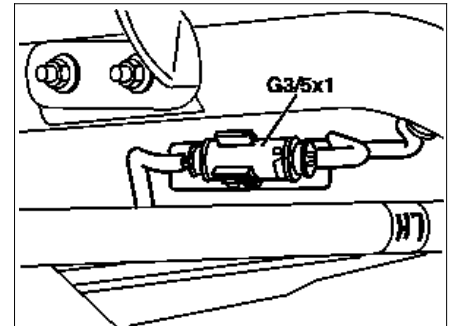
G3/5 Left O2 sensor downstream of TWC

**Diagram right**

G3/5x1 Connector for left O2 sensor downstream of TWC



P14.00-0257-01



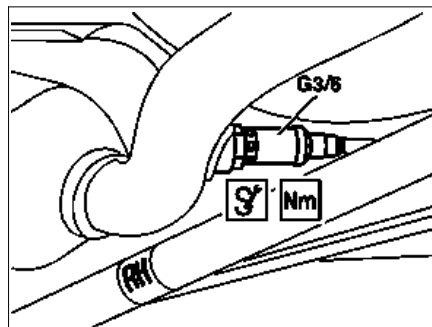
P14.00-0258-01

**Shown on engine 112****Left picture**

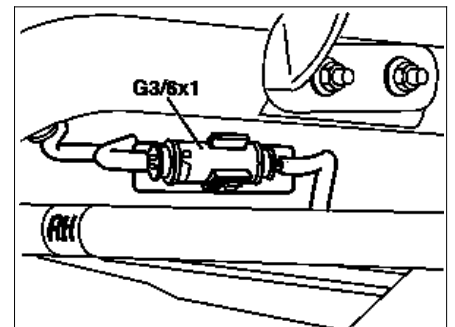
G3/6 Right O2 sensor downstream of TWC

**Diagram right**

G3/6x1 Connector for right O2 sensor downstream of TWC



P14.00-0259-01



P14.00-0260-01

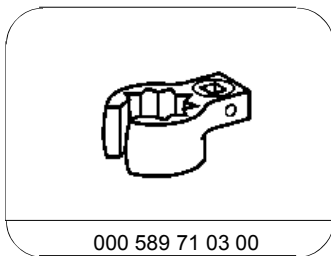
**Modification notes**

10.11.04	Value changed from 55 Nm to 45 Nm	Value in series 1001 for engine 112.910/911/ 912/913/914/915/916/920/921/922/923/ 940/941/942/943/944/945/946/947/949/ 953/955/960/961/970/972/973/975	*BA14.00-P-1001-01A
----------	-----------------------------------	---	---------------------

Fig. item etc.	Work instructions		
G3/4, G3/6	Right O2 sensor upstream of TWC and right O2 sensor downstream of TWC	<b>i</b> <b>Installation:</b> Coat the thread of O2 sensors with heat-resistant lubricant. Nm 5	*BR00.45-Z-1005-06A *BA14.00-P-1001-01A *000589710300
G3/3, G3/5	Left O2 sensor upstream of TWC and right O2 sensor downstream of TWC	<b>i</b> <b>Installation:</b> Coat the thread of O2 sensors with heat-resistant lubricant. Nm 5	*BR00.45-Z-1005-06A *BA14.00-P-1001-01A *000589710300
G3/4x1, G3/6x1	Connector for right O2 sensor upstream of TWC, connector for right O2 sensor downstream of TWC	Unplug connectors	
G3/3x1, G3/5x1	Connector for left O2 sensor upstream of TWC, connector for left O2 sensor downstream of TWC	Unplug connectors	

**Nm** O2 sensor

Number	Designation	Nm	Engines 112.910/911/ 912/913/914/ 915/916/920/ 921/922/923/ 940/941/942/ 943/944/945/ 946/947/949/ 953/955/960/ 961/970/972/ 973/975	Engines 113.940/941/ 942/943/944/ 948/960/961/ 962/963/964/ 965/966/967/ 968/980/981/ 982/984/986/ 992/993/995
BA14.00-P-1001-01A	O2 sensor on exhaust pipe/ exhaust manifold	45	45	55



000 589 71 03 00

Ring wrench socket

**Repair materials**

Number	Designation	Order number
BR00.45-Z-1005-06A	Paste, hot lubrication 1 kg, DB supply specification 6879.20	A 000 989 76 51