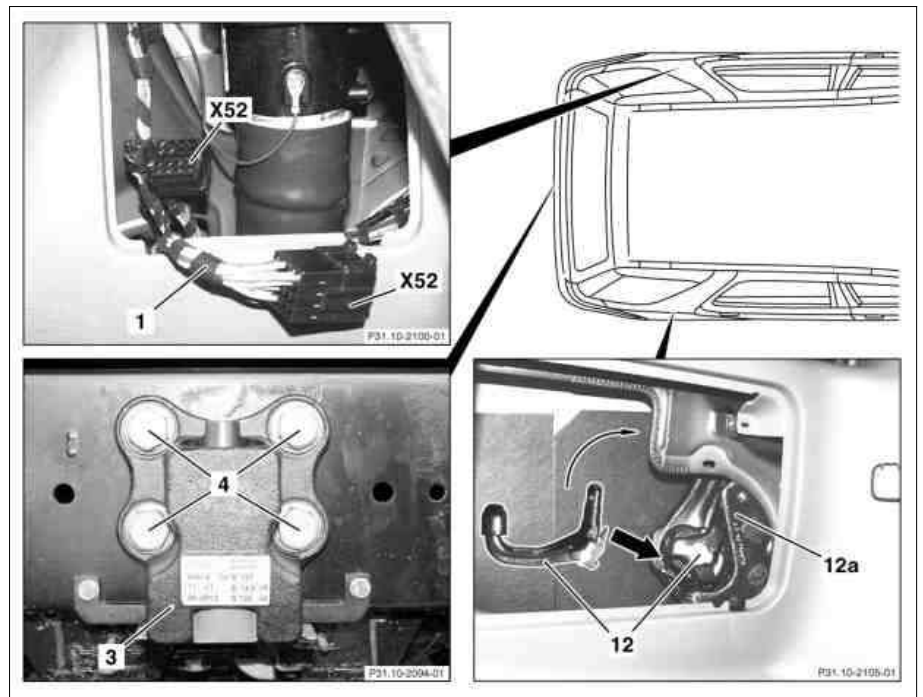
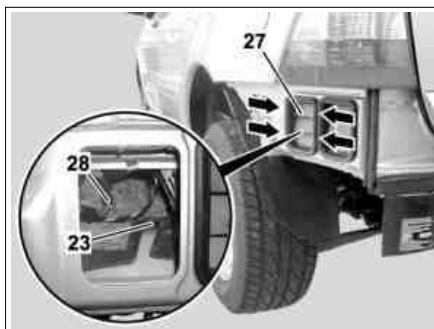


Model 163.113/136/154/172 #A as of 145273, 163.128/175
 except code U49 (Styling package)
Model 163.113/136/154/172 #X as of 708319
 except code U49 (Styling package)

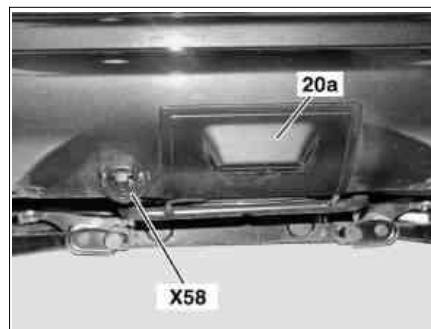
- 1 Trailer hitch wiring harness
- 3 Carrier plate, detachable ball neck
- 4 Bolts
- 12 Detachable ball neck
- 12a Bracket
- X52 Trailer hitch connector



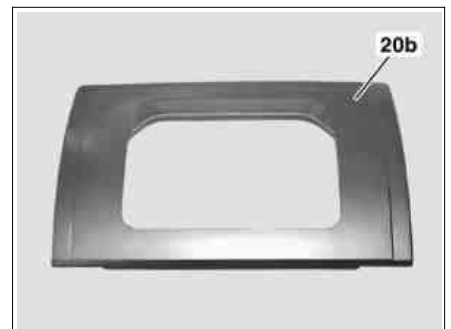
P31.10-2086-06



P88.30-2186-01



P31.10-2184-01




P31.10-2185-01

- 23 Rubber grommet
- 27 Air flap
- 28 Vehicle wiring harness

- 20a Cover for detachable trailer hitch
- X58 Trailer hitch socket

- 20b Cover for detachable trailer hitch with cutout

☒	Remove		
	Notes on installing a trailer hitch		AH31.10-P-1000-02CW
1 AR	Disconnect ground line of battery	 To protect against unintended contact Insulate cable lug of ground line.	AR54.10-P-0003A
2 AR	Remove paneling on right C-pillar		AR68.30-P-4490GH
3	Risk of death caused by vehicle slipping or toppling off of the lifting platform. Place vehicle on vehicle lift	Align vehicle between vehicle lift columns and position the four support plates at the vehicle lift support points specified by the vehicle manufacturer.	AS00.00-Z-0010-01A

AR			AR00.60-P-1000GH
4	Remove emergency spare wheel and spare wheel holder	i Only on vehicles without code (849), spare wheel holder.	
5	Remove rear bumper	Up to FIN A289564, X754619 without code (849), spare wheel holder.	AR88.20-P-2200GH
AR		Up to FIN A289564, X754619 with code (849), spare wheel holder.	AR88.20-P-2200GI
AR		As of FIN A289565, X754620	AR88.20-P-2200GK
		i If the vehicle is fitted with a rear bumper that does not correspond to model year 2000, this bumper must be replaced by a rear bumper with code 800 (Model year 2000).	
6	Remove brackets for rear bumper	i As of FIN A289565, X754620.	
7	Remove left rear air flap (27)	! Risk of breaking the retaining lugs. i Release side air flap (arrows). S Mounting wedge	*110589035900
8	Detach connector for trailer hitch from vehicle wiring harness (28)		
9	Remove rubber grommet (23)		
	Modify		
10	Process bumper retroactively	Up to FIN A289564, X754619 Nm Nut, plug board to socket bracket	AZ88.30-P-0001-01B *BA31.11-P-1005-01B
X	Install		
11	Retrofit mechanical detachable parts	Vehicles without code (849), spare wheel holder: Vehicles with code (849), spare wheel holder Nm Bolt, carrier plate to rear-end carrier Nm Bolt, socket bracket to rear-end carrier Nm Collar nut, reinforcement to longitudinal frame member Nm Collar nut, reinforcement to rear-end carrier	AN31.11-P-8080-05A AN31.11-P-8080-05AB *BA31.11-P-1001-01B *BA31.11-P-1002-01B *BA31.11-P-1003-01B *BA31.11-P-1004-01B
12	Print out document "Trailer hitch, confirmation"	* For Germany only i The document "Trailer hitch, confirmation" must be printed out and submitted for installation acceptance. For customers performing installation work themselves: Print out the detailed installation instructions and hand over to the customer. These instructions must be provided during acceptance by the customer.	OF31.10-P-1000-01J
13	Retrofit wiring harness		AN31.19-P-8080-03A
14	Retrofit bracket for detachable ball neck		AN31.11-P-8080-03AA
15	Install remaining parts		
16	Insert cover (20a) into cutout on bumper		
17	Place covers with cutout (20b) in right side compartment together with bracket for detachable ball neck	i Only if fitted.	
1	Check		
18	Perform function check on trailer hitch socket (X58)		

Nm Trailer coupling mechanism

Number	Designation	Model 163
BA31.11-P-1001-01B	Bolt, carrier plate to rear-end carrier	Nm 160

Nm Trailer coupling mechanism

Number	Designation	Model 163
BA31.11-P-1002-01B	Bolt, socket bracket to rear-end carrier	Nm 6

Nm Trailer coupling mechanism

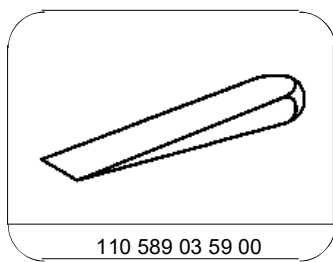
Number	Designation	Model 163
BA31.11-P-1003-01B	Collar nut, reinforcement to longitudinal frame member	Nm 49

Nm Trailer coupling mechanism

Number	Designation	Model 163
BA31.11-P-1004-01B	Collar nut, reinforcement to rear-end carrier	Nm 49

Nm Trailer coupling mechanism

Number	Designation	Model 163
BA31.11-P-1005-01B	Nut, plug board to socket bracket	Nm 4



Mounting wedge

Parts ordering note

Part no.	Designation	Quantity
KG99 (siehe EPC)	Trailer hitch parts kit for vehicles without outboard spare wheel holder (code 849)	1
KG99 (siehe EPC)	Trailer hitch parts kit for vehicles with outboard spare wheel holder (code 849)	1
KG88 (siehe EPC)	Cover without hole (order in bumper color)	1
KG88 (siehe EPC)	Cover with hole (order in bumper color)	1
KG88 (siehe EPC)	Order rear bumper rear with code 800 (model year 2000) according to color code (only when required)	1