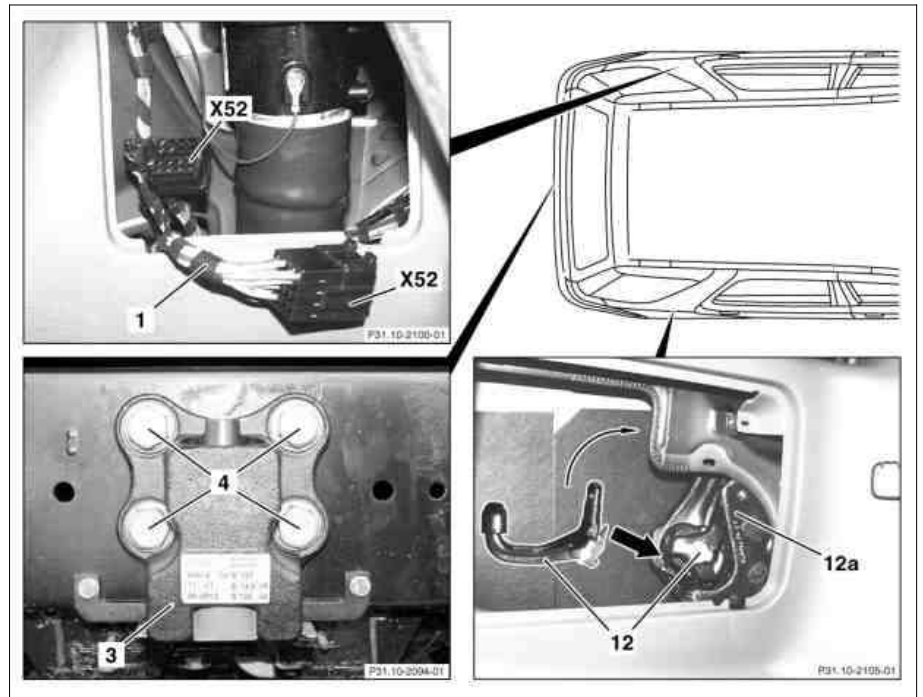
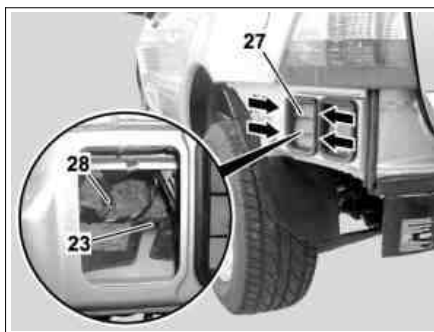


- Model 163.113/136/154/172 #A as of 145273, 163.128/175 with code U49 (Styling package)
- Model 163.113/136/154/172 #X as of 708319 with code U49 (Styling package)
- Model 163.174

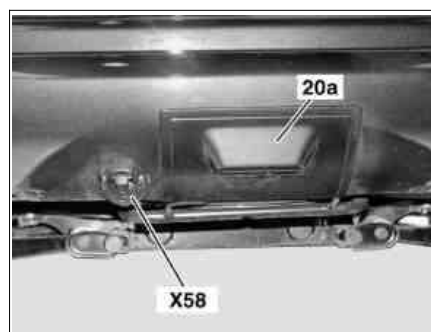
- 1 Trailer hitch wiring harness
- 3 Carrier plate, detachable ball neck
- 4 Bolts
- 12 Detachable ball neck
- 12a Bracket
- X52 Trailer hitch connector



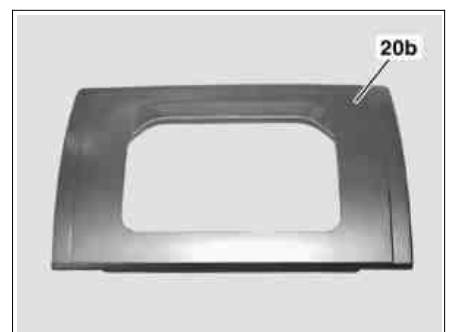
P31.10-2086-06



P88.30-2186-01



P31.10-2184-01



P31.10-2185-01

- 23 Rubber grommet
- 27 Air flap
- 28 Vehicle wiring harness

- 20a Cover for detachable trailer hitch
- 20b Cover for detachable trailer hitch with cutout

- X58 Trailer hitch socket (13-pin)

	Remove		
	Risk of explosion from explosive gas. Risk of poisoning and caustic burns from swallowing battery electrolyte. Risk of injury through burns to skin and eyes from battery acid or when handling damaged lead-acid batteries	No fires, sparks, open flames or smoking. Wear acid-resistant gloves, clothing and glasses. Only pour battery acid into suitable and appropriately marked containers.	AS54.10-Z-0001-01A
	Risk of death caused by vehicle slipping or toppling off of the lifting platform.	Align vehicle between vehicle lift columns and position the four support plates at the vehicle lift support points specified by the vehicle manufacturer.	AS00.00-Z-0010-01A
	Information on preventing damage to electronic components due to electrostatic discharge		AH54.00-P-0001-01A
1 	Place vehicle on vehicle lift		AR00.60-P-1000GH

2 AR	Disconnect ground line of battery				AR54.10-P-0003A
			Insulate cable lug of ground line as protection against unintended contact.		
3 AR	Remove paneling on right C-pillar				AR68.30-P-4490GH
4	Remove emergency spare wheel and spare wheel holder		Model 163.113/136/154/172 #A as of 145273, 163.128/175 with code U49 (Styling package) Model 163.113/136/154/172 #X as of 708319 with code U49 (Styling package)		
5 AR	Remove rear bumper				AR88.20-P-2200GJ
6	Remove left rear air flap (27)		Risk of breaking the retaining lugs. Release side air flap (arrows). Mounting wedge		*110589035900
7	Detach connector for trailer hitch from vehicle wiring harness (28)				
8	Remove rubber grommet (23)				
	Modify				
9 AZ AZ	Process bumper retroactively		Model 163.113/136/154/172 #A as of 145273, 163.128/175 with code U49 (Styling package) Model 163.113/154/172 #X as of 708319 up to 754619, 163.136 #X as of 708319 with code U49 (Styling package) for removable trailer hitch Model 163.174 #A up to 289564 for removable trailer hitch Model 163.113/136/154/172 #A as of 145273, 163.128/175 with code U49 (Styling package) Model 163.113/136/154/172 #X as of 708319 with code U49 (Styling package) Model 163.174 #A as of 289565 for removable trailer hitch Nut, plug board to socket bracket		AZ88.30-P-0001-01B AZ88.30-P-0001-01F *BA31.11-P-1005-01B
	Install				
	Notes on installing a trailer hitch				AH31.10-P-1000-02CW
10	Retrofit mechanical detachable parts		Model 163.113/136/154/172 #A as of 145273, 163.128/175 with code U49 (Styling package) except code 849 (Spare wheel carrier) Model 163.113/136/154/172 #X as of 708319 with code U49 (Styling package) except code 849 (Spare wheel carrier) Model 163.113/136/154/172 #A as of 145273, 163.128/175 with code U49 (Styling package) except code 849 (Spare wheel carrier) Model 163.113/136/154/172 #X as of 708319 with code U49 (Styling package) except code 849 (Spare wheel carrier) Model 163.174 1# Model 163.113 /128 /136 /154 /172 /175 except spare wheel holder/spare wheel, code 849. Model 163.113 /128 /136 /154 /172 /175 with spare wheel holder/spare wheel, code 849. Model 163.174 Bolt, carrier plate to rear-end carrier Bolt, socket bracket to rear-end carrier Collar nut, reinforcement to longitudinal frame member Collar nut, reinforcement to rear-end carrier		AN31.11-P-8080-05A AN31.11-P-8080-05AB AN31.11-P-8080-05AC *BA31.11-P-1001-01B *BA31.11-P-1002-01B *BA31.11-P-1003-01B *BA31.11-P-1004-01B
11 OF	Print out document "Trailer hitch, confirmation"	For Germany only			OF31.10-P-1000-01J

		i The document "Trailer hitch, confirmation" must be printed out and submitted for installation acceptance. For customers performing installation work themselves, the detailed installation instructions must be printed out and handed over to the customer. These instructions must be provided during acceptance by the customer.	
12	Retrofit wiring harness		AN31.19-P-8080-03A
13	Retrofit bracket for detachable ball neck		AN31.11-P-8080-03AA
14	Install remaining parts		
15	Insert cover of removable trailer hitch (20a) into cutout on bumper		
16	Place covers of removable trailer hitch with cutout (20b) in right side compartment together with bracket for detachable ball neck	i Only if fitted.	
< 	Check		
17	Perform function check on trailer hitch socket (13-pin) (X58)		

Nm Trailer coupling mechanism

Number	Designation		Model 163
BA31.11-P-1001-01B	Bolt, carrier plate to rear-end carrier	Nm	160

Nm Trailer coupling mechanism

Number	Designation		Model 163
BA31.11-P-1002-01B	Bolt, socket bracket to rear-end carrier	Nm	6

Nm Trailer coupling mechanism

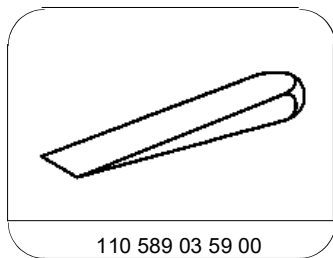
Number	Designation		Model 163
BA31.11-P-1003-01B	Collar nut, reinforcement to longitudinal frame member	Nm	49

Nm Trailer coupling mechanism

Number	Designation		Model 163
BA31.11-P-1004-01B	Collar nut, reinforcement to rear-end carrier	Nm	49

Nm Trailer coupling mechanism

Number	Designation		Model 163
BA31.11-P-1005-01B	Nut, plug board to socket bracket	Nm	4



Mounting wedge

Parts ordering note

Part no.	Designation	Quantity
KG99 (siehe EPC)	Trailer hitch parts kit for vehicles without spare wheel holder, code 849	1
KG99 (siehe EPC)	Trailer hitch parts kit for vehicle model ML55 (163.174)	1
KG88 (siehe EPC)	Cover without hole (order in bumper color)	1
KG88 (siehe EPC)	Cover with hole (order in bumper color)	1