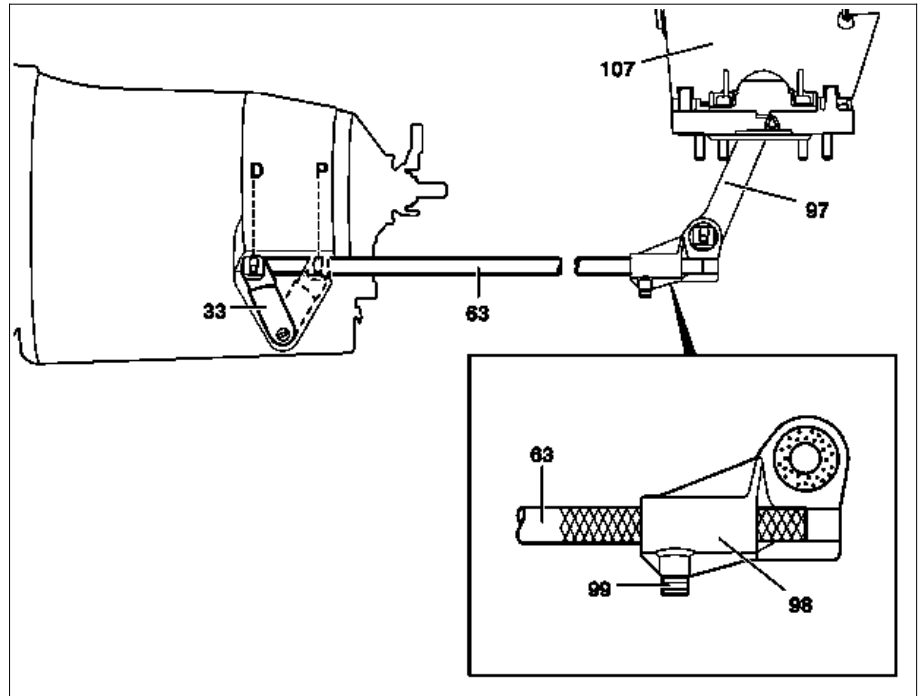


TRANSMISSION 722.6 in MODEL 129, 140, 163, 170, 202, 208, 210  
 TRANSMISSION 722.610 in MODEL 463.209 /232 /233  
 TRANSMISSION 722.611 in MODEL 463.308 /330 /331  
 TRANSMISSION 722.630 in MODEL 463.206 /240 /241

- 33 Selector lever
- 63 Shift rod
- 97 Intermediate lever
- 98 Rod head
- 99 Bolt
- 107 Floor-mounted shift

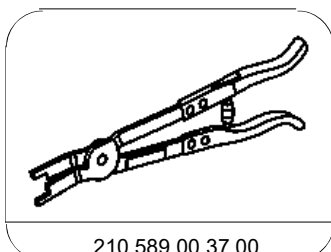


P27.60-0218-06

Adjust			
<b>i</b>	Vehicle must be horizontal and standing on its wheels	Position vehicle on the four column lifting platform.	
1	Move selector lever to position "D".	<b>i</b> Have an assistant hold the selector lever in position "D" for the entire duration of the adjustment work.	
2	Mount head (98) on intermediate lever (97) and secure with clip	Pliers	<a href="#">*210589003700</a>
3	Guide shift rod (63) into head, attach at selector lever (33) and secure with clip	Pliers	<a href="#">*210589003700</a>
4	Tighten bolt (99)	<b>i</b> Press against rod head (98) to tighten. Do not twist shift rod (63) or rod head (98). Do not move selector lever (33) out of position "D". <b>Nm</b>	<a href="#">*BA27.60-P-1001-04A</a>
5	Check function		

**Nm** Tightening torques for shift rod

Number	Designation	Transmission 722.6
BA27.60-P-1001-04A	Bolt in rod head M8×10	Nm 12



210 589 00 37 00

Pliers