

AR15.12-P-2003A	Remove/install ignition coils	5.7.96
-----------------	-------------------------------	--------

ENGINE 112.942 in MODEL 163.154
ENGINE 113.942 in MODEL 163.172
ENGINE 113.981 in MODEL 163.174
ENGINE 113.965 in MODEL 163.175
ENGINE 112.970 in MODEL 163.157

Shown on engine 112

5/1 Spark plug connector

5/3 Screw

T1/1 Cylinder 1 ignition coil

T1/2 Cylinder 2 ignition coil

T1/3 Cylinder 3 ignition coil

T1/4 Cylinder 4 ignition coil

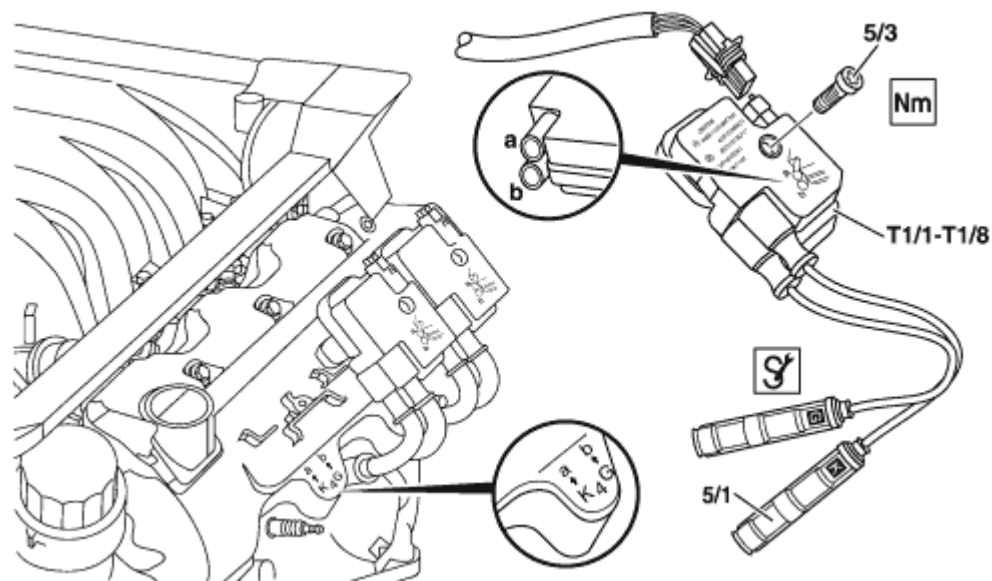
T1/5 Cylinder 5 ignition coil

T1/6 Cylinder 6 ignition coil

T1/7 Cylinder 7 ignition coil

T1/8 Cylinder 8 ignition coil

Arrow: Identification of the connector



P15.12-2045-05

	Remove/Install		
Danger!	Risk of death caused by touching parts which conduct high voltages	Do not touch parts which conduct high voltages. Persons who wear electronic implants (e.g. heart pacemakers) must not carry out work on the ignition system.	AS15.10-Z-0001-01A
	Notes on avoiding damage to ignition system		AH15.10-P-0002-01D

1	Disconnect ground cable from battery		
2	Remove engine trim panel with integrated air cleaner		
		i The air cleaner is integrated in the engine cover. Remove the engine cover or the cleaner housing by pulling it from the cylinder head covers vertically in the upward direction.	
3	Remove air cleaner housing		
4	Unscrew bolt (5/3)	Nm	BA15.10-P-1001-04A
5	Detach spark plug connector (5/1) from the spark plugs	i Pry off spark plug connector (5/1) using open-end wrench, double over the cylinder head cover of the spark plugs.	
		i Installation: Observe the identification of the connector (arrow) on the cylinder head cover and the ignition coil of cylinders 1 to 6 or 1 to 8 for the corresponding spark plug connector (5/1).	
		W Double open-ended wrench	110 589 01 01 00
6	Separate electrical connector of ignition coil of cylinder 1 to 6 (T1/1 to T1/6) or 1 to 8 (T1/1 to T1/8)	i Installation: Install new tie straps.	
7	Remove ignition coil of cylinder 1 to 6 (T1/1 to T1/6) or 1 to 8 (T1/1 to T1/8)		
8	Install in the reverse order		

Nm Ignition coil

Number	Designation		Engines 112.942/970	Engines 113.942/965/981
BA15.10-P-1001-04A	Bolt for ignition coil on cylinder head cover	Nm	8	8



110 589 01 01 00

Double open-end wrench