

Torque converter test values

Number	Designation	Transmission 722.600/601/602/603/ 604/605/608/611/614/ 615/616/619/626/629/ 634/637/640/642/660/ 661/695/699	Transmission 722.606/607/609/617/ 618/623/624/628/630/ 631/632/633/636/641/ 643/645/662/663/664/ 665/666/667/668/669/ 672/674/675/676/690/ 696/698	
BE27.20-P-1001-01B	Installed height of torque converter Distance from transmission housing	mm	7 (-2)	19.5 (-2)

Test values for torque converter

Number	Designation	Transmission 722.620/622/625/627	Transmission 722.621	
BE27.20-P-1001-01B	Installed height of torque converter Distance from transmission housing	mm	26 (-2)	19 (-2)

Torque converter test values

Number	Designation	Transmission 722.635/639/ 644	Transmission 722.638	Transmission 722.649	
BE27.20-P-1001-01B	Installed height of torque converter Distance from transmission housing	mm	21 (-2)	26 (-2)	20 (-2)

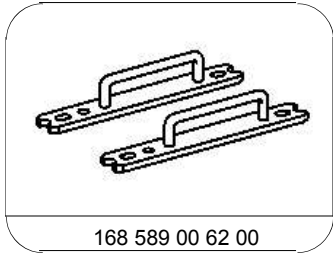
Test values for torque converter

Number	Designation	Transmission 722.689	Transmission 722.610 in model 463	Transmission 722.610 in model 202	
BE27.20-P-1001-01B	Installed height of torque converter Distance from transmission housing	mm	9.5 (-2)	19.5 (-2)	7 (-2)

Test values for torque converter

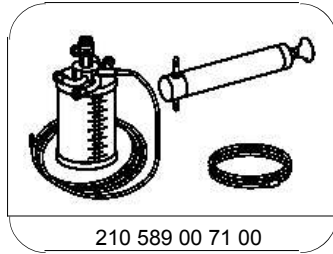
Number	Designation	Transmission 722.677

BE27.20-P-1001-01B	Installed height of torque converter Distance from converter transmission housing	mm	7,7
--------------------	---	----	-----



168 589 00 62 00

Grab handle



210 589 00 71 00

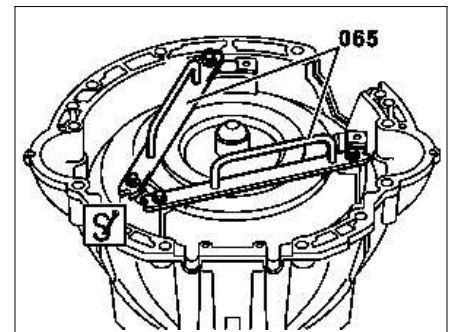
Hand pump

Repair materials

Number	Designation	Order number
BR00.45-Z-1009-06A	Multi-purpose paste	A 000 989 80 51 10

Remove torque converter

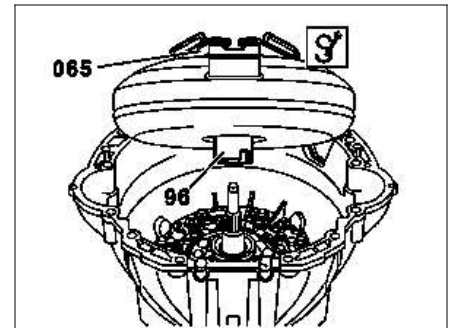
- 1 Position transmission vertically.
- 2 Mount grab handles (065) on torque converter.
- 3 Remove torque converter from transmission housing.
- 4 If there are metal shavings in the transmission oil pan:
Drain transmission oil from torque converter through a clean cloth.
i If there are metal chips in the cloth, replace torque converter.
In case of doubt flush out the torque converter with transmission oil.
⚠ Remaining metal chips can cause transmission damage!
- 5 If transmission oil is burnt or interspersed with abrasive particles:
Flush oil cooler lines and oil cooler.



P27.20-0214-01

Install torque converter

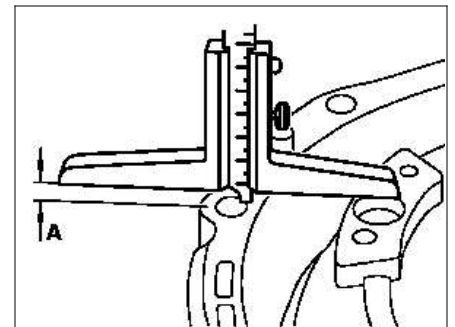
- 6 Grease the crankshaft journals with multipurpose paste and insert torque converter into transmission housing.
⚠ Do not use force, otherwise the axial stop of the torque converter will be destroyed.
i Move torque converter back and forth so that the teeth on the torque converter and the transmission primary pump engage in one another.



P27.20-0215-01

Measure installed height of torque converter in transmission housing

- 7 Measure dimension "A" between transmission housing and torque converter mounting using a depth gauge.
⚠ Torque converter and primary pump will be damaged if torque converter is seated incorrectly in transmission housing.



P27.20-0218-01