

ENGINE 112.942 in MODEL 163.154

ENGINE 112.970 in MODEL 163.157

ENGINE 113.942 in MODEL 163.172

ENGINE 113.981 in MODEL 163.174

ENGINE 113.965 in MODEL 163.175

Shown on engine 112

Left picture

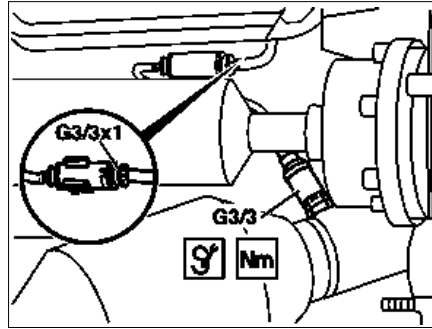
G3/3 Left O2 sensor upstream of TWC

G3/3x1 Connector for left O2 sensor upstream of TWC

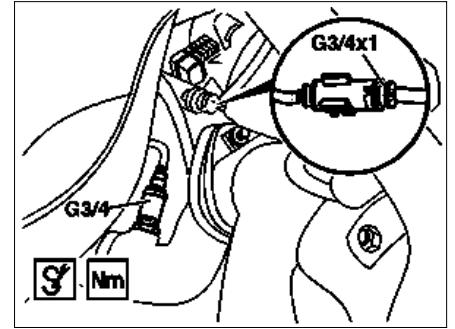
Diagram right

G3/4 Right O2 sensor upstream of TWC

G3/4x1 Connector for right O2 sensor upstream of TWC



P14.00-0256-01



P14.00-0255-01

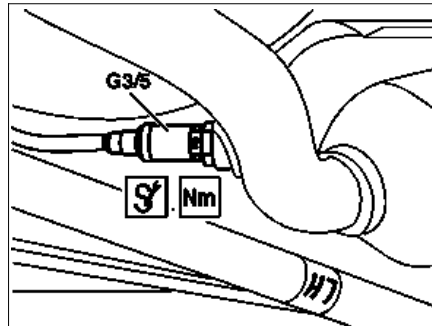
Shown on engine 112

Left picture

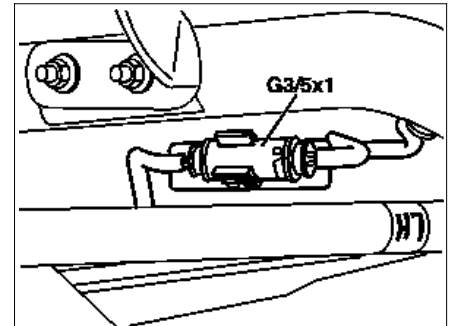
G3/5 Left O2 sensor downstream of TWC

Diagram right

G3/5x1 Connector for left O2 sensor downstream of TWC



P14.00-0257-01



P14.00-0258-01

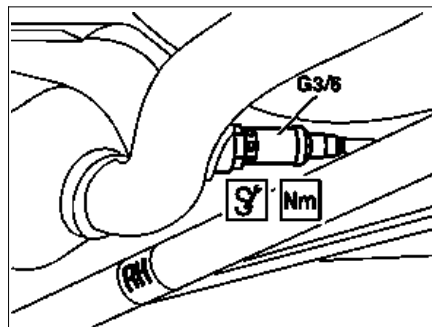
Shown on engine 112

Left picture

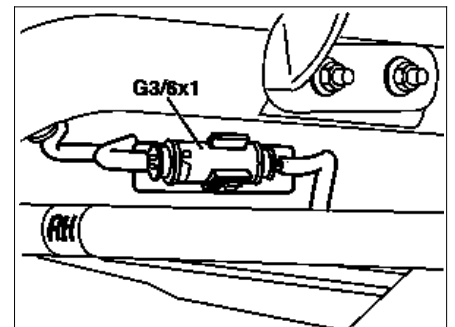
G3/6 Right O2 sensor downstream of TWC

Diagram right

G3/6x1 Connector for right O2 sensor downstream of TWC



P14.00-0259-01



P14.00-0260-01

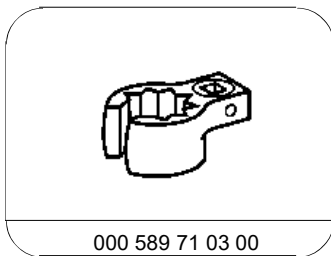
Modification notes

10.11.04	Value changed from 55 Nm to 45 Nm	Value in series 1001 for engine 112.910/911/912/913/914/915/916/920/921/922/923/940/941/942/943/944/945/946/947/949/953/955/960/961/970/972/973/975	*BA14.00-P-1001-01A
----------	-----------------------------------	---	---------------------

Fig. item etc.	Work instructions		
G3/4, G3/6	Right O2 sensor upstream of TWC and right O2 sensor downstream of TWC	i Installation: Coat the thread of O2 sensors with heat-resistant lubricant. Nm S	*BR00.45-Z-1005-06A *BA14.00-P-1001-01A *000589710300
G3/3, G3/5	Left O2 sensor upstream of TWC and right O2 sensor downstream of TWC	i Installation: Coat the thread of O2 sensors with heat-resistant lubricant. Nm S	*BR00.45-Z-1005-06A *BA14.00-P-1001-01A *000589710300
G3/4x1, G3/6x1	Connector for right O2 sensor upstream of TWC, connector for right O2 sensor downstream of TWC	Unplug connectors	
G3/3x1, G3/5x1	Connector for left O2 sensor upstream of TWC, connector for left O2 sensor downstream of TWC	Unplug connectors	

Nm O2 sensor

Number	Designation	Nm	Engines 112.910/911/ 912/913/914/ 915/916/920/ 921/922/923/ 940/941/942/ 943/944/945/ 946/947/949/ 953/955/960/ 961/970/972/ 973/975	Engines 113.940/941/ 942/943/944/ 948/960/961/ 962/963/964/ 965/966/967/ 968/980/981/ 982/984/986/ 992/993/995
BA14.00-P-1001-01A	O2 sensor on exhaust pipe/ exhaust manifold	45	45	55



000 589 71 03 00

Ring wrench socket

Repair materials

Number	Designation	Order number
BR00.45-Z-1005-06A	Paste, hot lubrication 1 kg, DB supply specification 6879.20	A 000 989 76 51