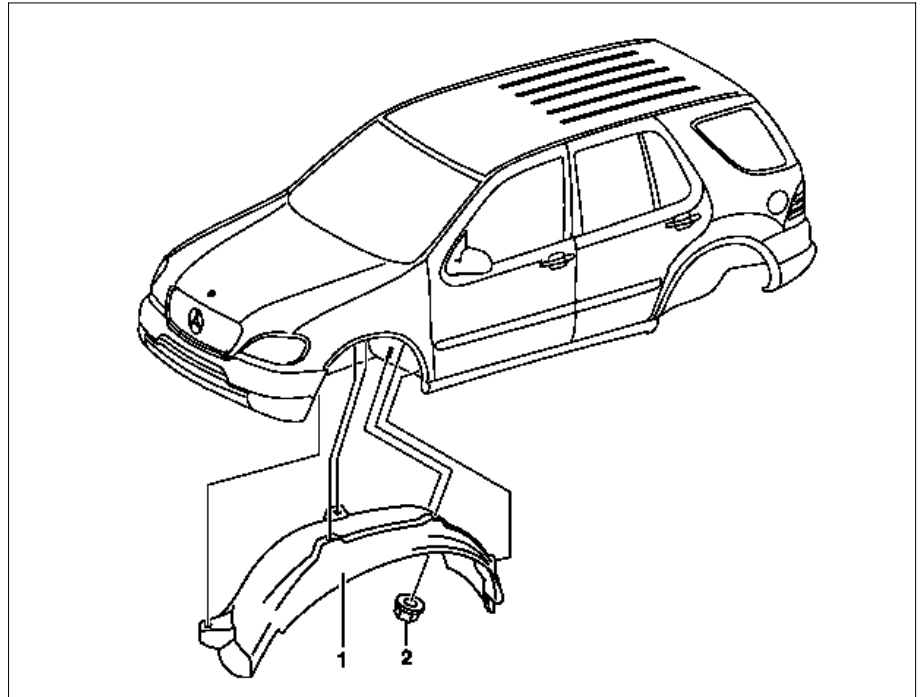


MODEL 163

- 1 Inner fender
2 Nut for inner fender



P88.10-0288-06

☒ ☒	Removal, installation		
1	Unscrew nut for inner fender (2)		
2	Remove inner fender (1)	<p>⚠ Do not damage fender cutout and paint</p> <p>i Pull front and rear section of inner fender (1) downward, move inner fender away inward and downward, then pull toward outside over wheel</p>	
3	Install in opposite order		