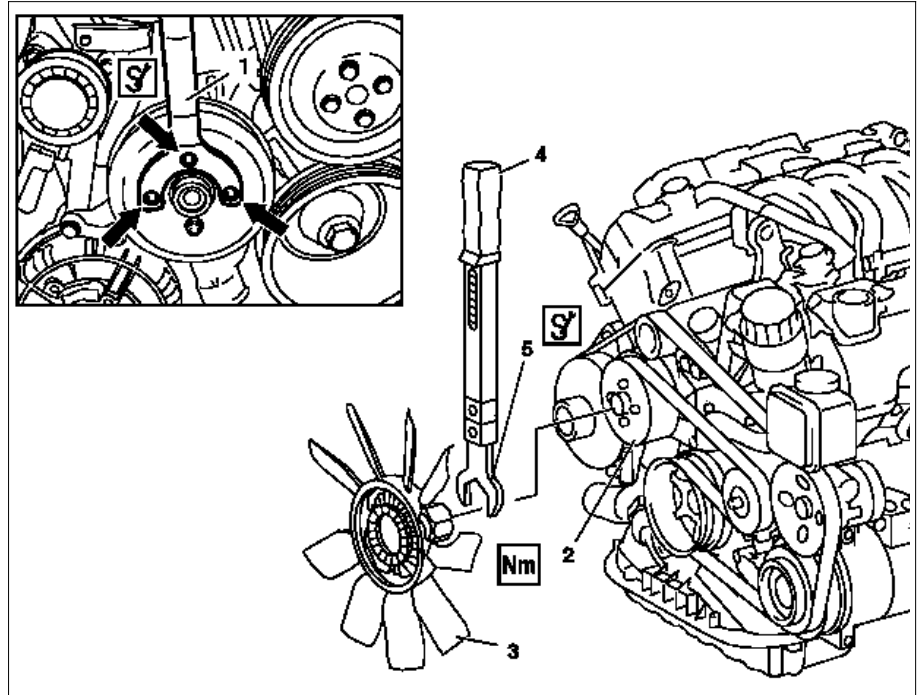


ENGINE 112 in MODEL 210, 202, **163.154 /157**, 129
 ENGINE 113 in MODEL 210, 208, 202, 163.172, 129
 ENGINE 112.945 in MODEL 463.209 /232 /233 /244 /245 /250
 ENGINE 113.962 in MODEL 463.206 /240 /241 /247 /248 /249 /254
 ENGINE 113.982 in MODEL 463.243 /246

Shown on Engine 112

- 1 Counterholder
- 2 Belt pulley
- 3 Viscous fan
- 4 Torque wrench
- 5 Open-end wrench bit



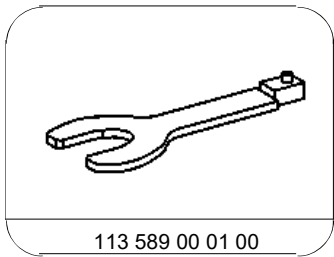
P20.40-0237-06

	Remove/Install		
1	Fit counterholder (1) on bolts of belt pulley (2), counterhold	i Belt pulley of coolant pump	
2	Unscrew union nut at viscous fan (3)	S i Right-hand thread. i Installation: Use torque wrench with open-end wrench bit. Nm S	*113589004000 *BA20.40-P-1002-01B *113589000100
3	Unbolt fan at viscous clutch	i Installation: The installation position of the fan is preset through cast-on ribs at fan ring. Nm	*BA20.40-P-1001-01B
4	Install in the reverse order		

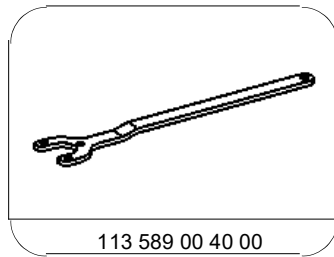
Nm Fan, fan clutch

Number	Designation	Engine	Engine
		112.910/911/ 912/913/914/ 915/916/917/ 920/921/922/ 923/940/941/ 942/943/944/ 945/946/947/ 949/951/953/ 954/955/960/ 961/970/972/ 973/975/976	113
BA20.40-P-1001-01B	Fan to viscous clutch	Nm 10	10

BA20.40-P-1002-01B	Viscous clutch to bearing body	Nm	45	45
--------------------	--------------------------------	----	----	----



Open-end wrench bit



Counterholder