

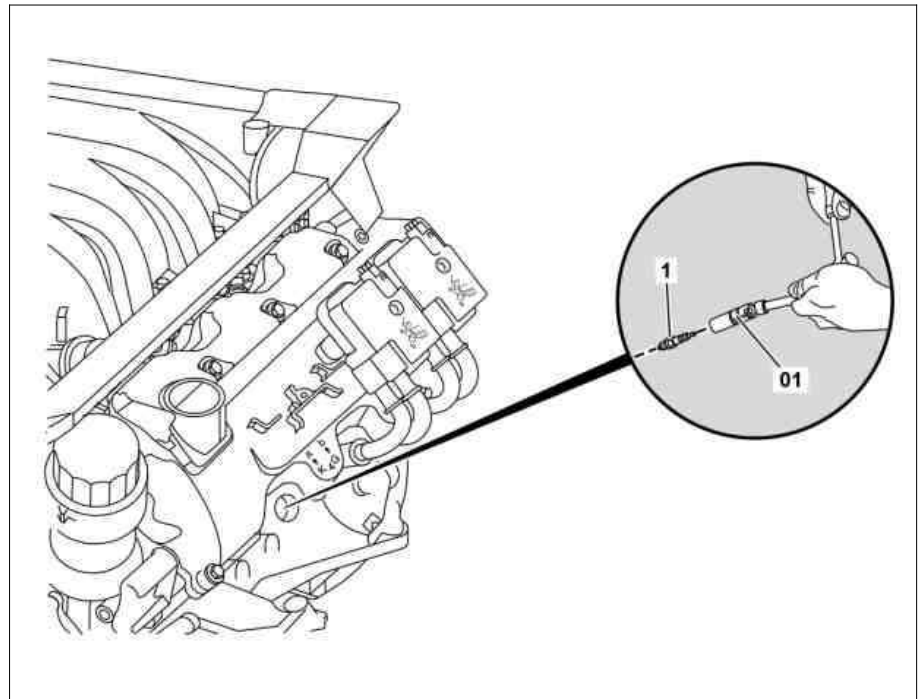
- Engine 112.942 in model 163.154
- Engine 112.970 in model 163.157
- Engine 113.942 in model 163.172
- Engine 113.965 in model 163.175
- Engine 113.981 in model 163.174

Modification notes

19.03.2015	Spark plugs	ENGINE 113	BA15.10-P-1001-01A
------------	-------------	------------	--------------------

Shown on engine 112

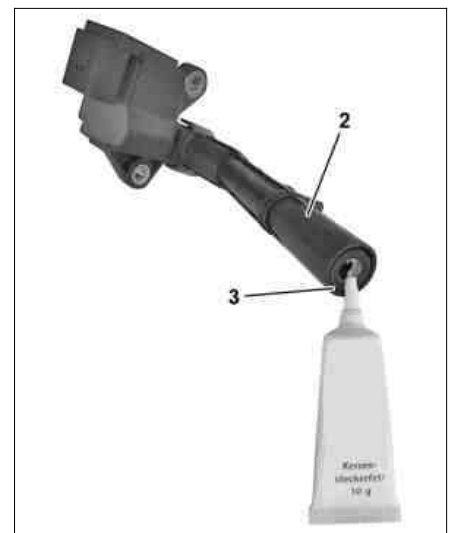
- 01 Spark plug wrench
- 1 Spark plug



P15.10-0221-06

Shown on ignition coil in engine 157.980

- 2 Spark plug connector
- 3 Rubber lip



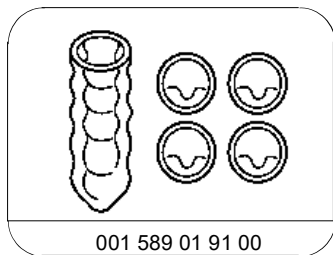
P15.10-2579-02

Warning	Risk of injury. Skin or eye injuries may result when handling hot or glowing objects.	Wear protective gloves, protective clothing and safety glasses, if necessary.	AS00.00-Z-0002-01A
	Risk of death when working on component parts and systems with U >= 30 V alternating voltage (AC) or U >= 60 V direct voltage (DC)	Do not touch damaged or defective live component parts and lines or non-insulated electrical connections and lines.	AS00.00-Z-0035-01A
	Information on avoiding damage when replacing spark plugs		AH15.10-P-0002-02A
	Remove		

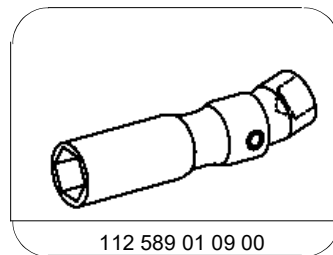
1	Remove ignition coils			AR15.12-P-2003A
	Clean			
2	Blow out any dirt residue in the spark-plug recesses using compressed air		Record plug	*129589009100
			Set of protective covers	*001589019100
	Remove			
3	Remove spark plugs (1) using spark plug wrench (01) from cylinder heads		Spark plug wrench	*112589010900
	Install			
4	Screw new spark plugs (1) using spark plug wrench (01) into cylinder heads		Spark plugs	*BA15.10-P-1001-01A
			Spark plug wrench	*112589010900
	Check			
5	Check spark plug connector (2), ignition coils and ignition lines for damage, deformation and crack formation		If there are complaints: ↓ Rectify problem subject to separate repair order.	
	Install			
6	Grease rubber lips (3) of spark plug connectors (2) using spark plug connector grease before installation		Spark plug connector grease	*BR00.45-Z-1102-06A
7	Install ignition coils			AR15.12-P-2003A

Spark plugs

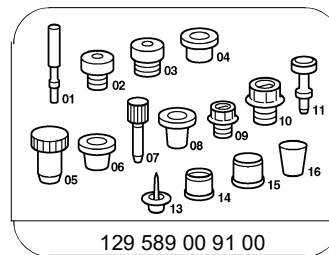
Number	Designation	Engine 112	Engine 113
BA15.10-P-1001-01A	Spark plugs Gap is 0.044	Nm 28=20.65 ft. lbs.	28



Set of protective covers



Spark plug wrench



Record plug

Repair materials

Number	Designation	Order number
BR00.45-Z-1102-06A	Spark plug connector grease	A 002 989 80 51